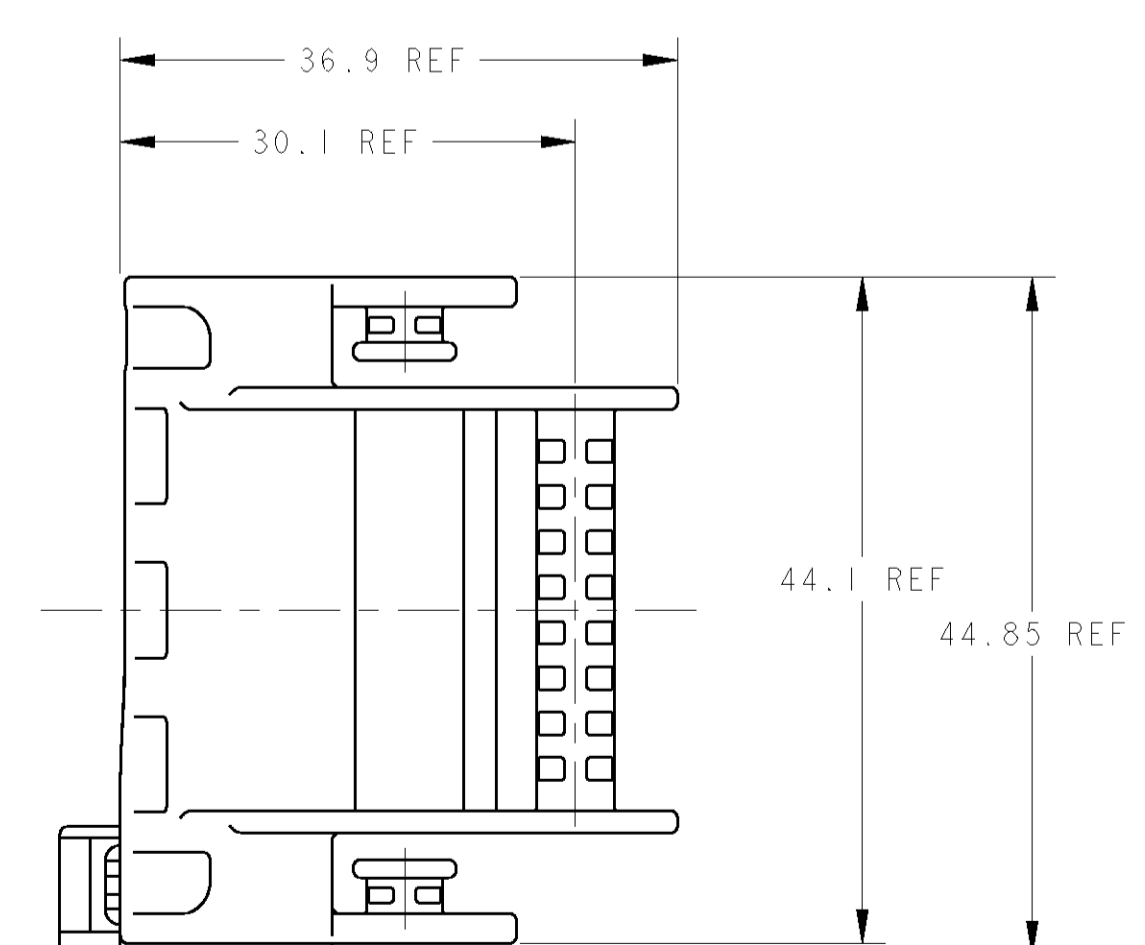
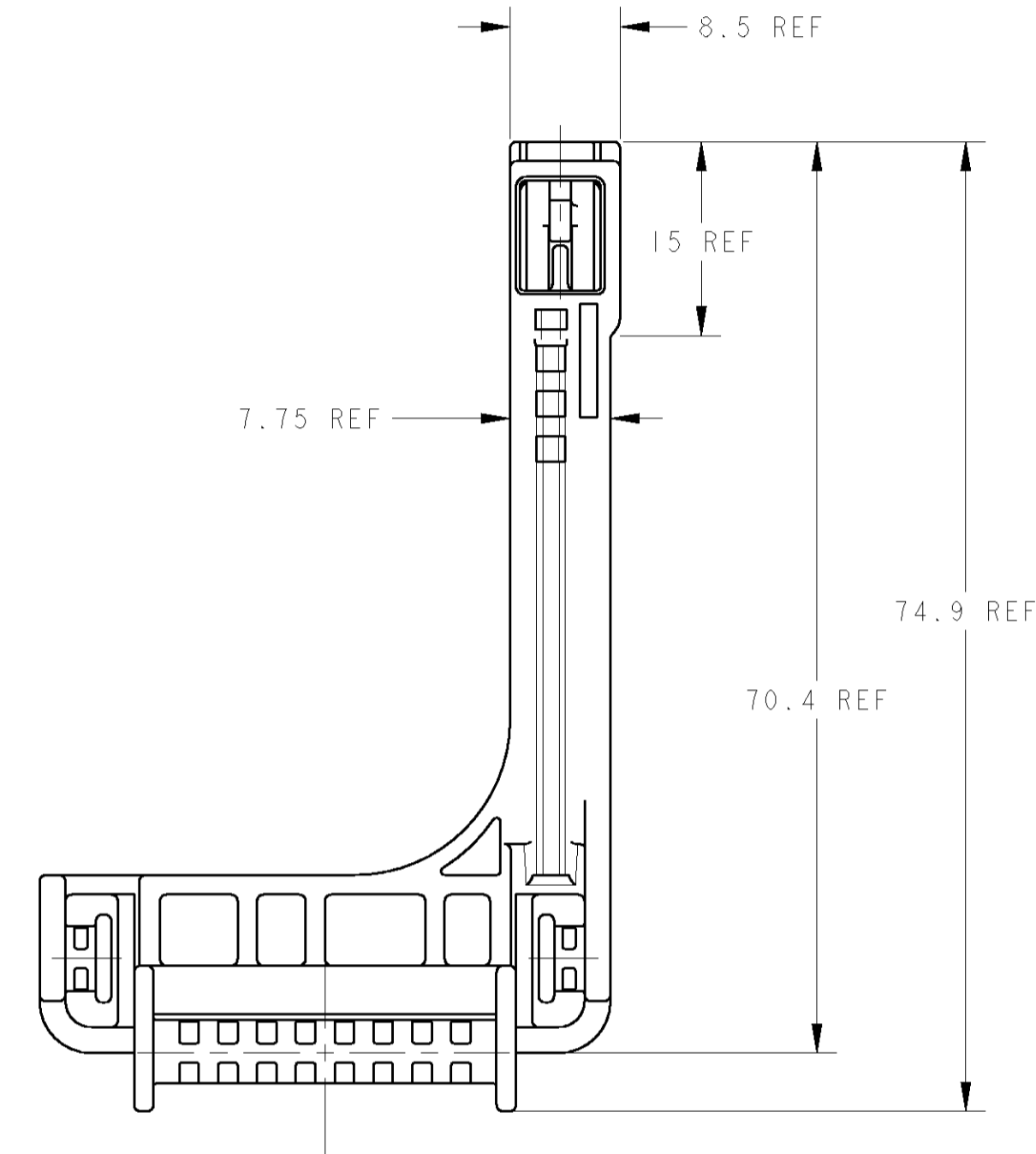
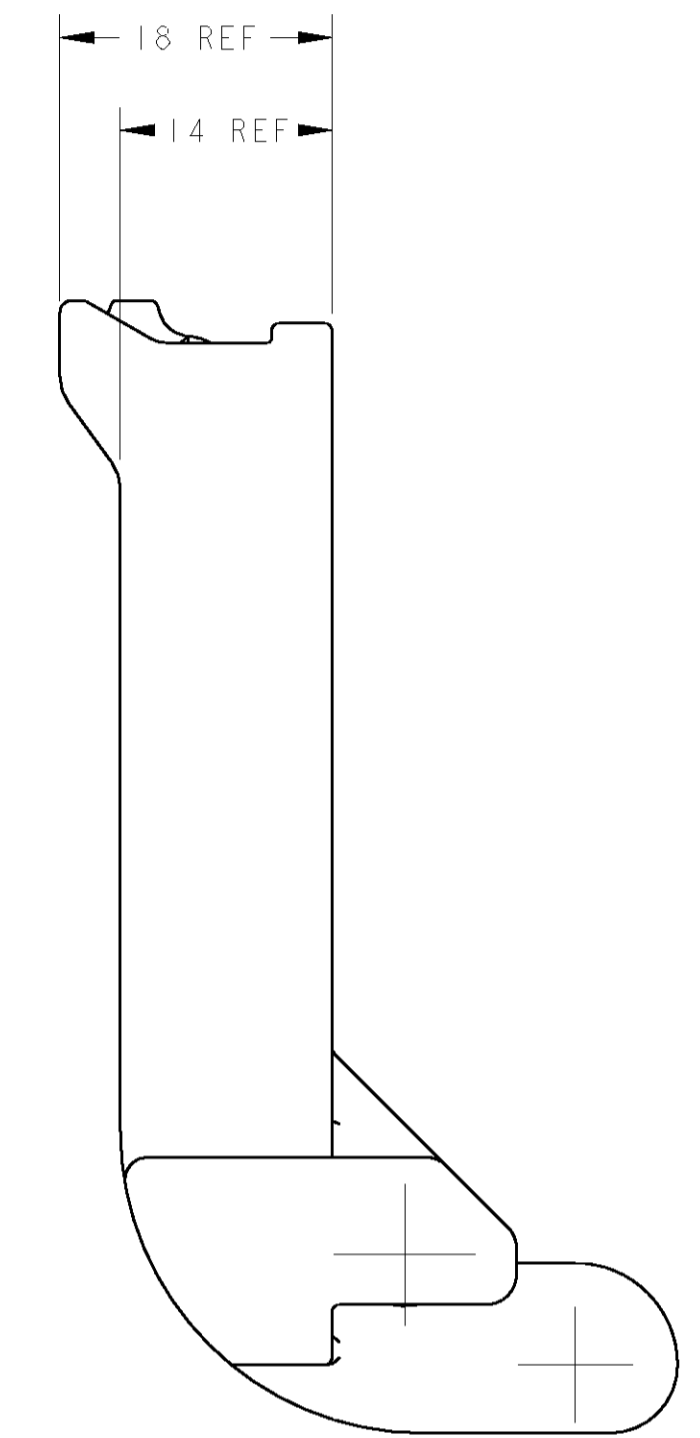
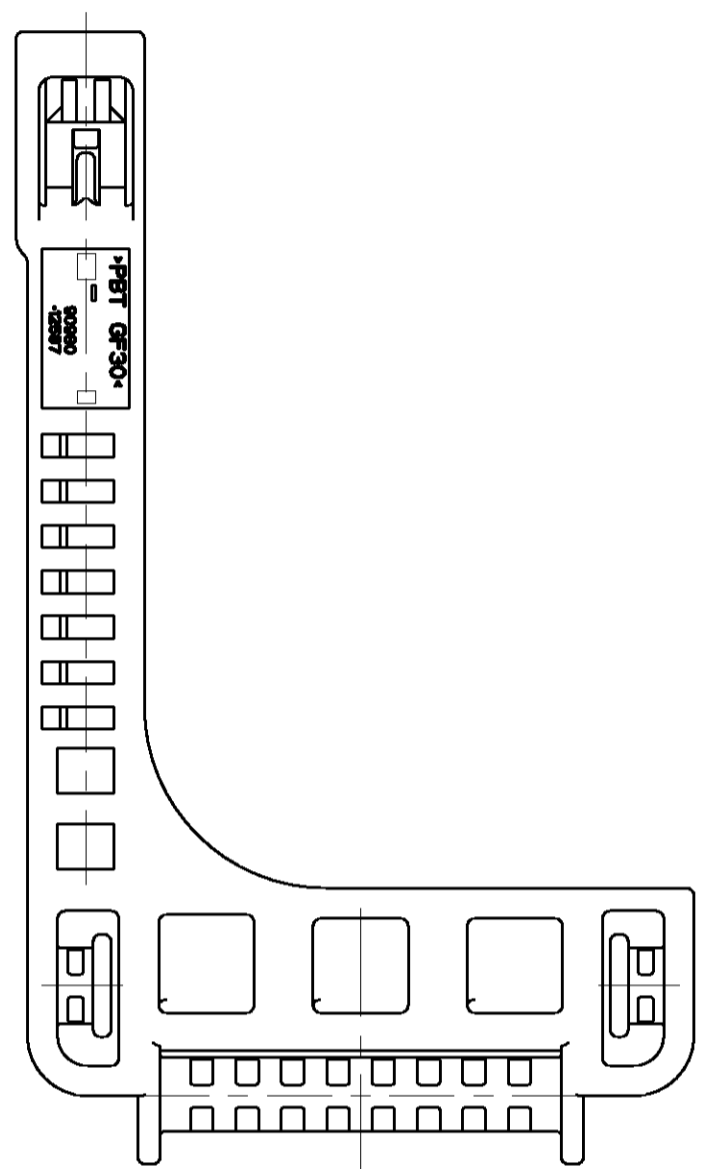


REV. NO.		REVISIONS			
REV.	DATE	DESCRIPTION	DATE	DWN.	APVD.
A	11MAY06	RELEASED	11MAY06	SS	SI
B	26SEP07	REVISIED ECR-07-018843	26SEP07	SS	HY



- MATING CONNECTOR IS:  
TYCO ELECTRONICS P/N:1747137/1827015
  - HANDLING OF THIS PART SHOULD FOLLOW  
INSTRUCTION SHEET NO.411-78084.
  - ASSEMBLED BY CUSTOMER.
- 適合相手部品:  
TYCO ELECTRONICS P/N:1747137/1827015
  - 本製品の取扱は取扱説明書NO.411-78084に従うこと。
  - シフトは顧客にて組み立てられる。

PAPER BOX ダンボール箱	PLASTIC BAG ビニール袋	GRAY	1747139-1
OUTER 外装	INNER 内装	COLOR	P/N
PACKING STYLE 梱包形態			

DIMENSIONS: mm		TOLERANCES UNLESS OTHERWISE SPECIFIED: mm		DWN S. SHISHIKURA 11MAY06		CHK K. SAKAMAKI 11MAY06		APVD S. ISOHATA 11MAY06		NAME S. SHISHIKURA	
3-PLC ±0.3		1-PLC ±0.1		2-PLC ±0.05		3-PLC ±0.01		4-PLC ±0.001		PRODUCT SPEC 108-5891	
FINISH SEE TABLE		MATERIAL PBT		WEIGHT 16.6 g		SIZE A   00779		CAGE CODE C=1747139		RESTRICTED TO -	
CUSTOMER DRAWING										SCALE 2:1 SHEET 1 OF 1 REV B	