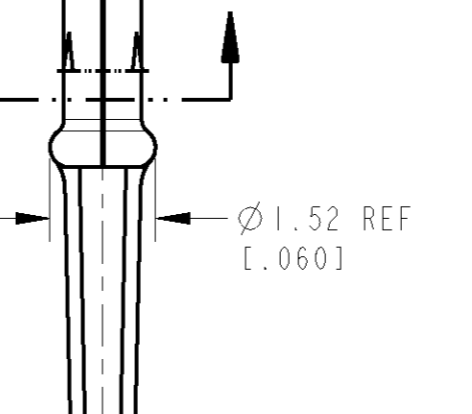
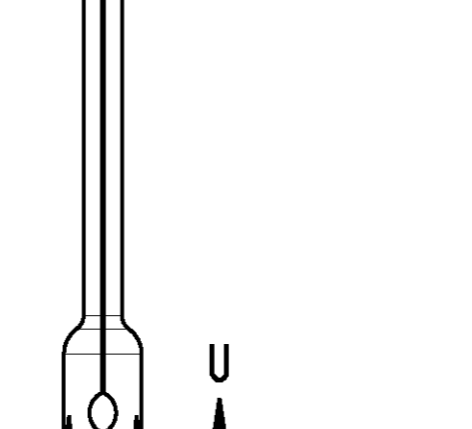
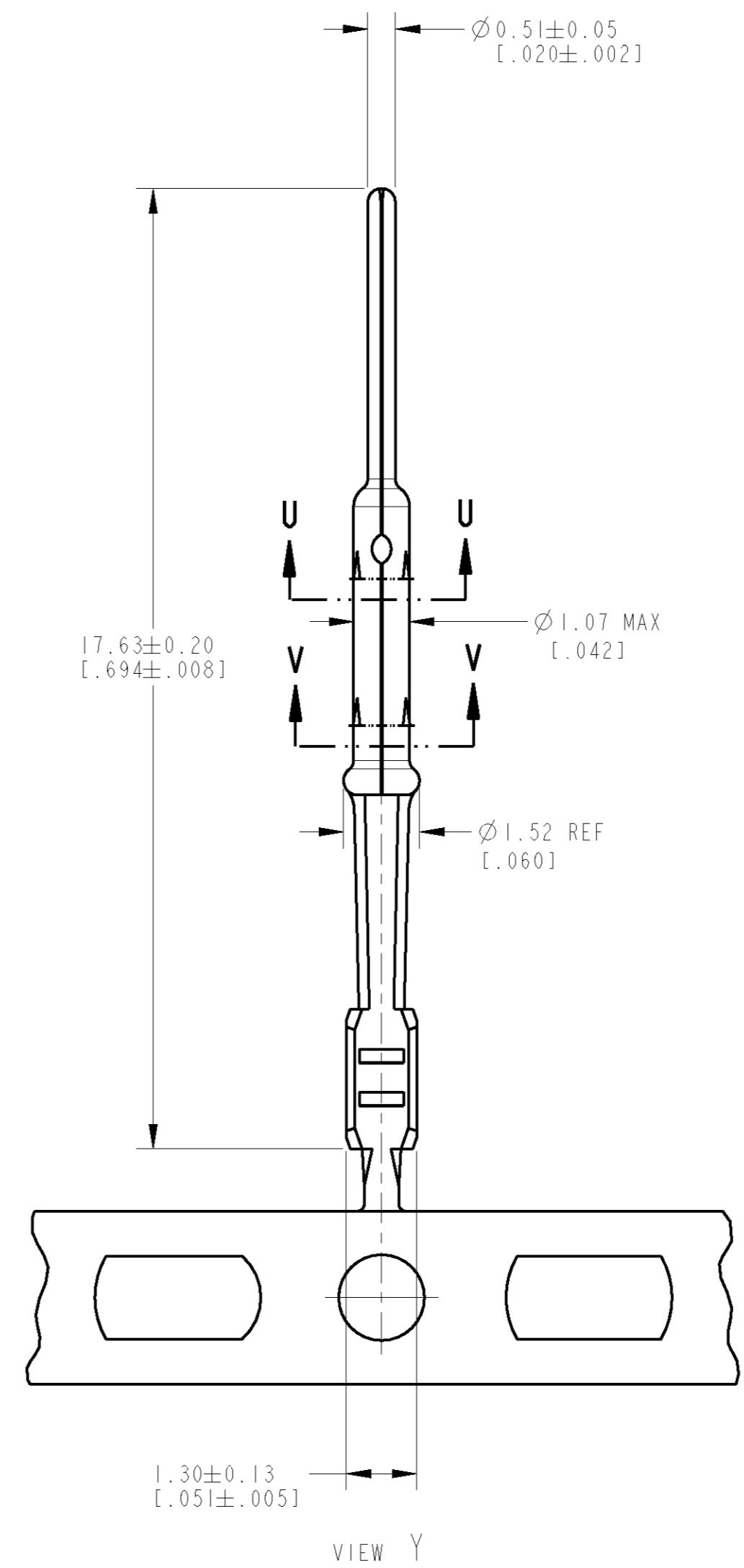
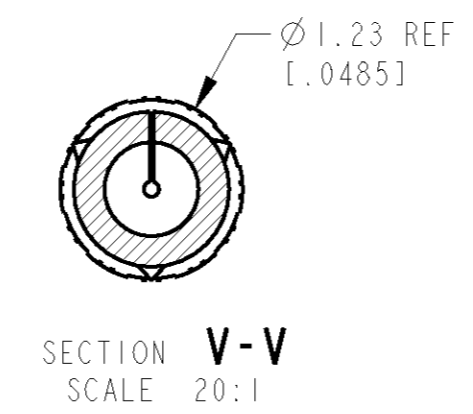
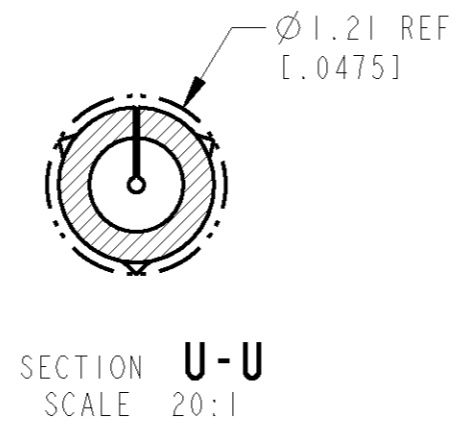
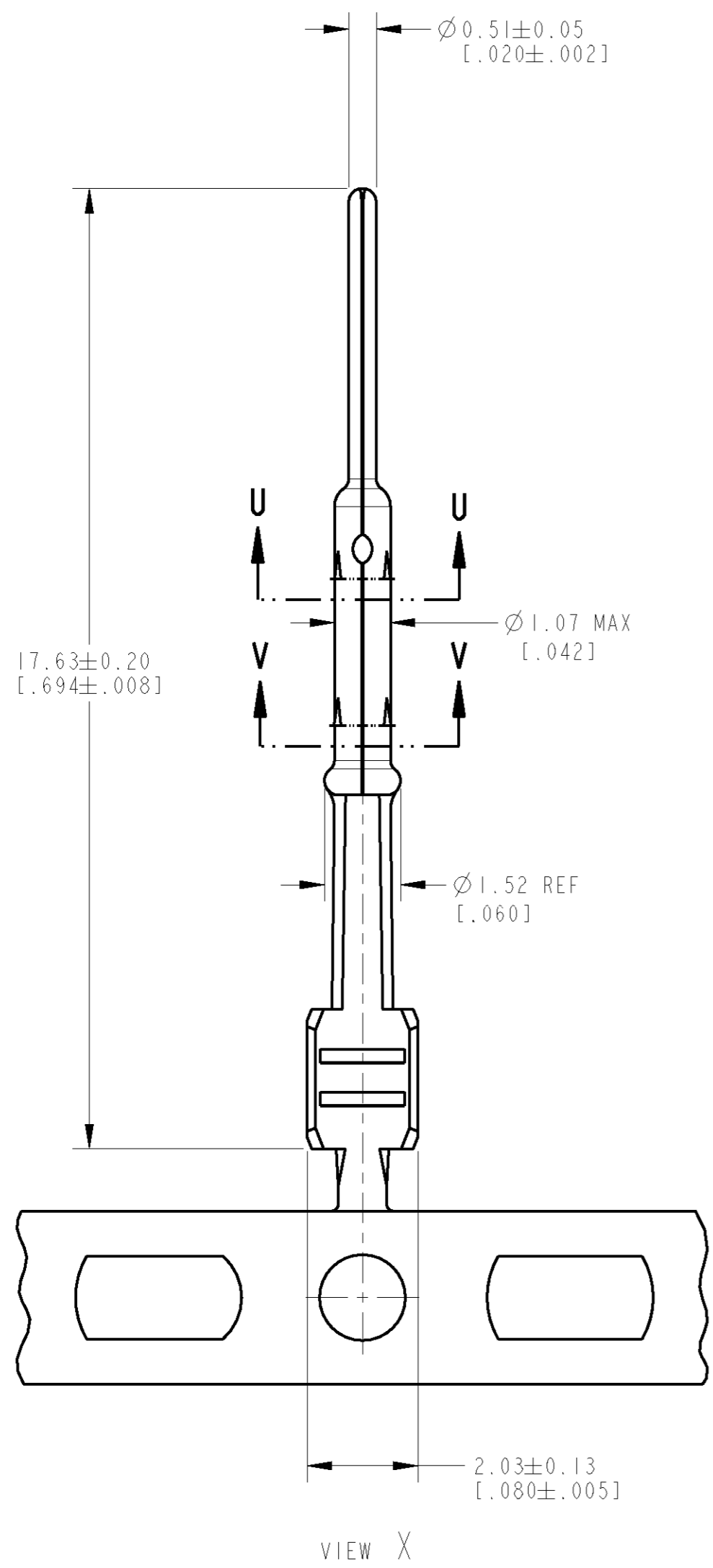


THIS DRAWING IS UNPUBLISHED. RELEASED FOR PUBLICATION 20
 © COPYRIGHT 20 BY TYCO ELECTRONICS CORPORATION. ALL RIGHTS RESERVED.

LOC	DIST	REVISIONS			
P	LTR	DESCRIPTION	DATE	DWN	APVD
	Q	RELEASED PER EC 0K01-160-04	02NOV2004	DJH	JMR
	A	REVISED PER ECR-05-001528	27APR2005	AG	LLV
	AI	REVISED PER ECR 06-024278	22FEB2007	DLD	LLV



- 1 BRASS.
- 2 3.81µm [0.000150] MIN TIN OVER 1.27µm [0.000050] MIN NICKEL OR 3.81µm [0.000150] MIN COPPER.

1.5CS-QEHV (TA), RG-62/U MODIFIED, RG-71/U MODIFIED	Y	1438808-4
RG-59/U, RG-62/U, RG-71/U	X	1438808-2
APPLICABLE CABLE SIZES	VIEW	PART NUMBER

THIS DRAWING IS A CONTROLLED DOCUMENT FOR TYCO ELECTRONICS CORPORATION. IT IS SUBJECT TO CHANGE AND THE CONTROLLING ENGINEERING ORGANIZATION SHOULD BE CONTACTED FOR THE LATEST REVISION.		DWN D. J. HARDY 17SEP2004	Tyco Electronics Harrisburg, PA 17105-3608	
DIMENSIONS: mm [INCHES]		CHK J. W. HALL 20SEP2004	NAME CENTER CONTACT, JACK, SNAP-LOCK	
TOLERANCES UNLESS OTHERWISE SPECIFIED: 0 PLC ± 1 PLC ± 2 PLC ± 3 PLC ± 4 PLC ± ANGLES ± FINISH		APVD J. W. HALL 20SEP2004	RESTRICTED TO	
MATERIAL 1		PRODUCT SPEC -	SIZE A2	CAGE CODE 00779
		APPLICATION SPEC 114-13125	DRAWING NO. C-1438808	SCALE 10:1
		WEIGHT -	SHEET OF 1	
		CUSTOMER DRAWING		REV AI

1438808