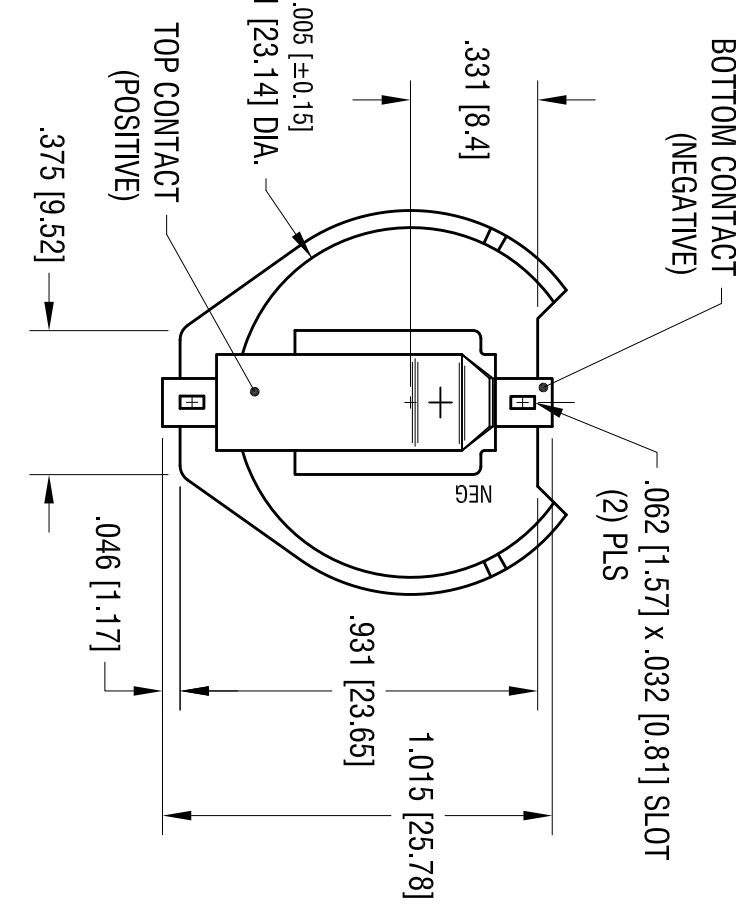
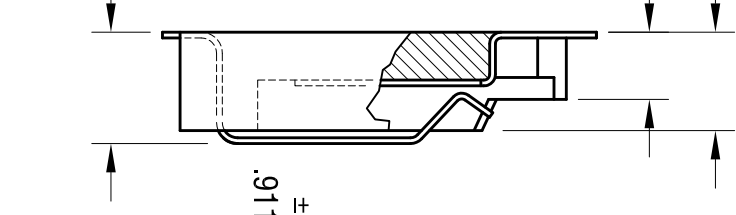
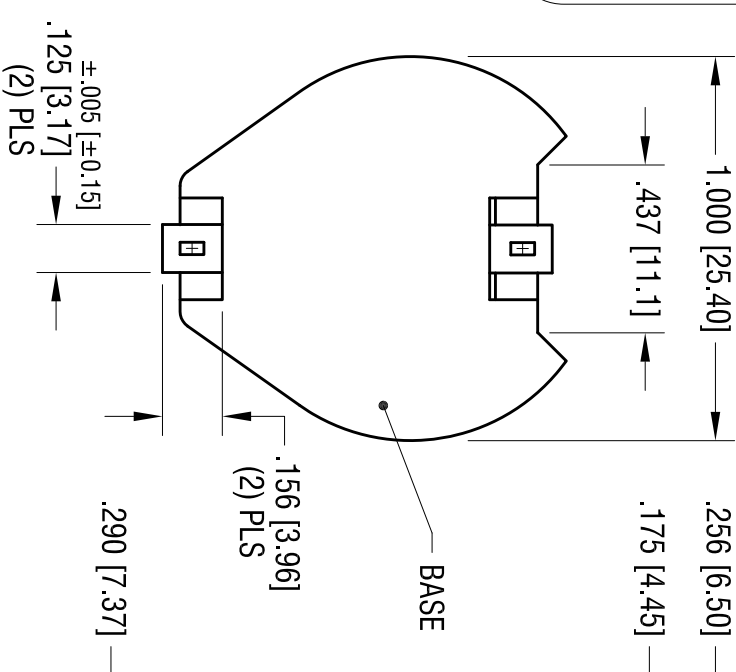
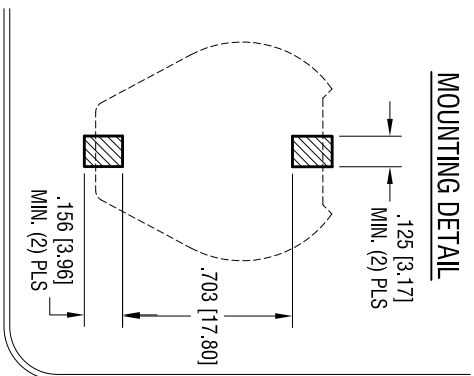


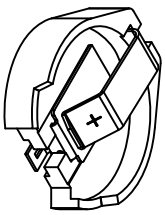
MOUNTING DETAIL



DATE	DESCRIPTION	REV.
8.12.11	CHANGE AS PER ECN 11-104	A

NOTES:

1. BASE:
MAT'L - HIGH TEMPERATURE NYLON (UL 94V-0)
COLOR BLACK
2. CONTACTS (TOP AND BOTTOM):
MAT'L - .015 [0.38] THK SPRING STEEL
FINISH: GOLD FLASH PLATE



ACTUAL SIZE

KEYSTONE ELECTRONICS CORP.			
www.keystelco.com • ASTORIA, N.Y. 11105-2017 • Tel (718) 956-8900			
PART NAME DUAL 23mm BATTERY HOLDER, SMT			
MATERIAL AS NOTED			
FINISH	AS NOTED		DRN BY NT
TOLERANCES	INCH	[MM]	DATE 3.19.09
DECIMAL	± .010	[± 0.25]	SCALE 2X
ANGULAR	± 1°		
	CODE C	DWG NO.	1091

THIS DOCUMENT IS THE PROPERTY OF KEYSTONE ELECTRONICS CORP. AND SHALL NOT BE REPRODUCED, DISTRIBUTED OR USED AS A BASIS FOR MANUFACTURE WITHOUT PRIOR WRITTEN PERMISSION FROM KEYSTONE ELECTRONICS CORP.