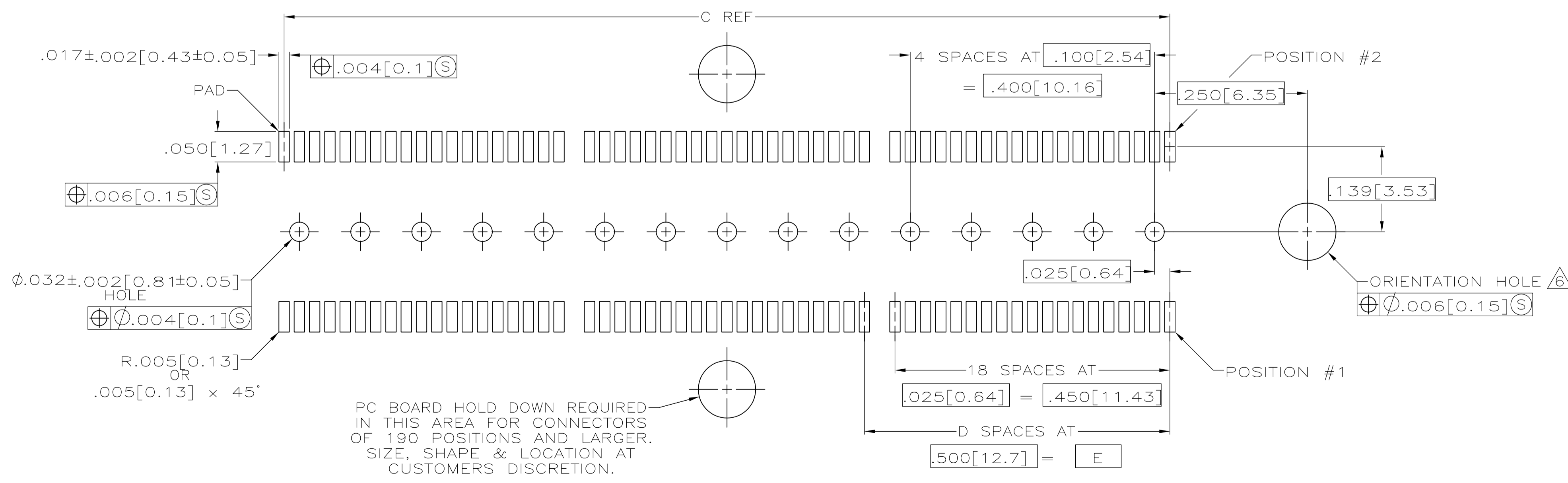
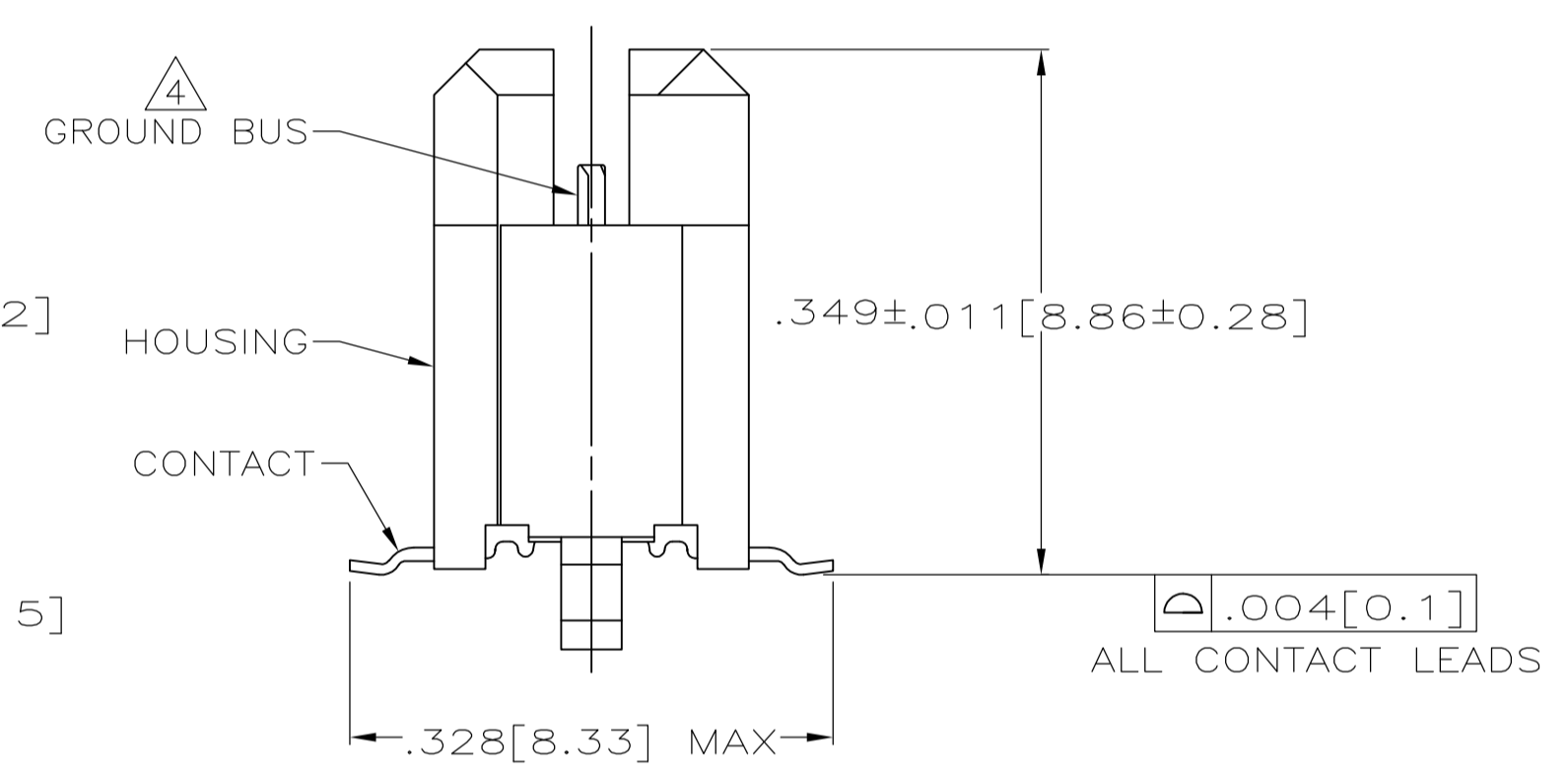
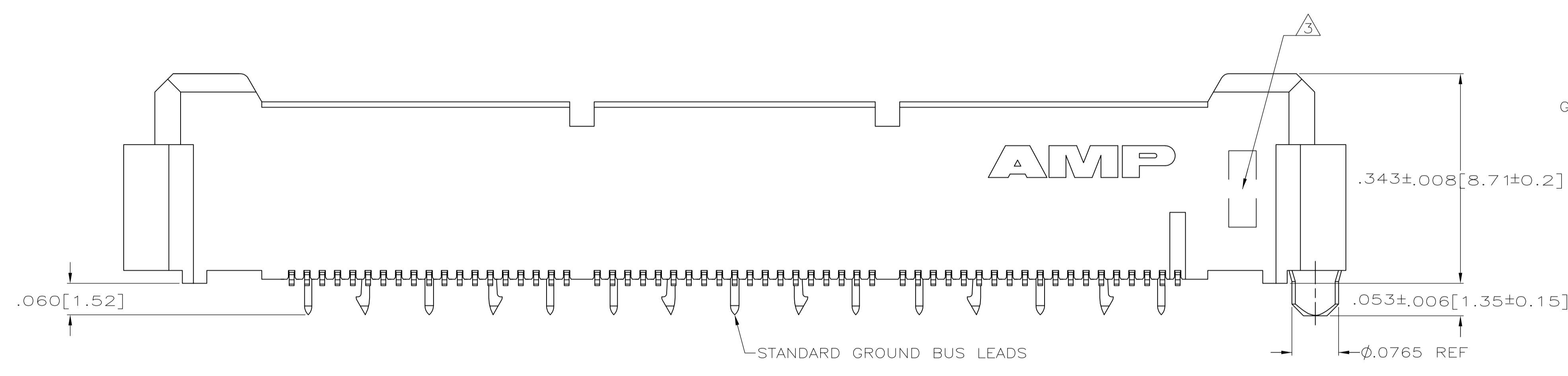


- ① HOUSING: LIQUID CRYSTAL POLYMER, COLOR BLACK.
CONTACTS: HIGH RELIABILITY COPPER ALLOY.
GROUND BUSES: BRASS.
- ② CONTACTS & GROUND BUSES: NICKEL UNDERPLATE ALL OVER,
MATING SURFACE PLATED TO MEET LEVEL 1 PERFORMANCE
REQUIREMENTS OF TE PRODUCT SPECIFICATION 108-1422,
SOLDER TAILS PLATED TIN-LEAD.
- ③ DATE CODE MARKED IN AREA INDICATED ON SAME SIDE AS
POSITION #1.
- ④ ONE GROUND BUS WITH 5 TAILS PER EACH MODULE.
- ⑤ TOLERANCE NON-ACCUMULATIVE.
- ⑥ FOR STANDARD APPLICATIONS, ORIENTATION HOLE TO BE
Ø.094±.002[2.39±0.05].
FOR SLIP-FIT APPLICATIONS, ORIENTATION HOLE TO BE
Ø.079±.001[2.00±0.03].



PC BOARD HOLD DOWN REQUIRED
 IN THIS AREA FOR CONNECTORS
 OF 190 POSITIONS AND LARGER.
 SIZE, SHAPE & LOCATION AT
 CUSTOMERS DISCRETION.

RECOMMENDED PC BOARD LAYOUT
 (VIEWED FROM CONNECTOR SIDE)

3.000[76.2]	6	3.450[87.63]	3.898[99]	4.000[101.6]	266	767139-7
2.500[63.5]	5	2.950[74.93]	3.398[86.31]	3.500[88.9]	228	767139-6
2.000[50.8]	4	2.450[62.23]	2.898[73.61]	3.000[76.2]	190	767139-5
1.500[38.1]	3	1.950[49.53]	2.398[60.91]	2.500[63.5]	152	767139-4
1.000[25.4]	2	1.450[36.83]	1.898[48.21]	2.000[50.8]	114	767139-3
.500[12.7]	1	.950[24.13]	1.398[35.51]	1.500[38.1]	76	767139-2
.000[0]	0	.450[11.43]	.898[22.81]	1.000[25.4]	38	767139-1
E	D	C	B	A	NO OF POS	PART NUMBER

THIS DRAWING IS A CONTROLLED DOCUMENT.		DIN J.GERACE 2-15-00	Tyco Electronics Corporation Harrisburg, Pa 17105-3608	
DIMENSIONS: INCHES		CIK S.STRICKLER 2-15-00	NAME D.SUMMERS 2-15-00	
TOLERANCES UNLESS OTHERWISE SPECIFIED:		PRODUCT SPEC 108-1422		
0 PLC ± -		APPLICATION SPEC 114-11004		
1 PLC ± -		SIZE A1		
2 PLC ± -		CAGE CODE 00779		
3 PLC ± .005(0.13)		DRAWING NO 767139		
4 PLC ± -		RESTRICTED TO		
ANGLES ± -		CUSTOMER DRAWING		
MATERIAL ①		FINISH ②		SCALE 8:1 SHEET 1 OF 1 REV E