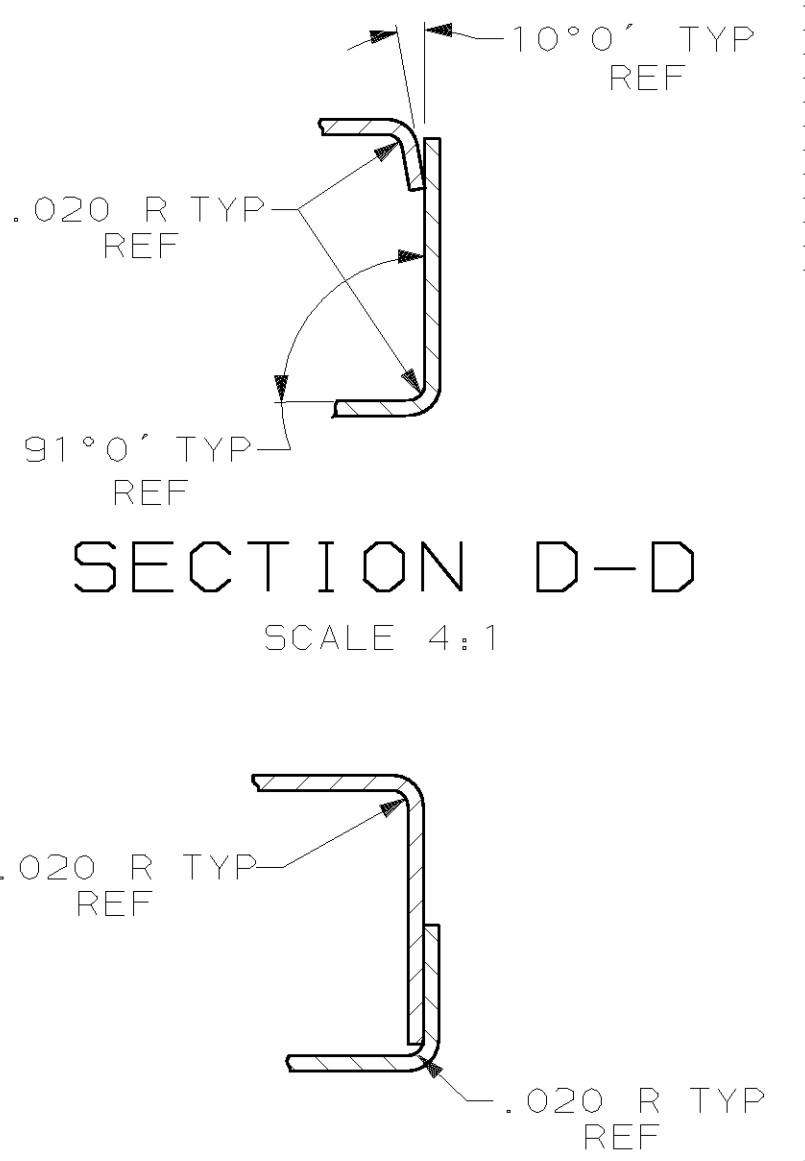
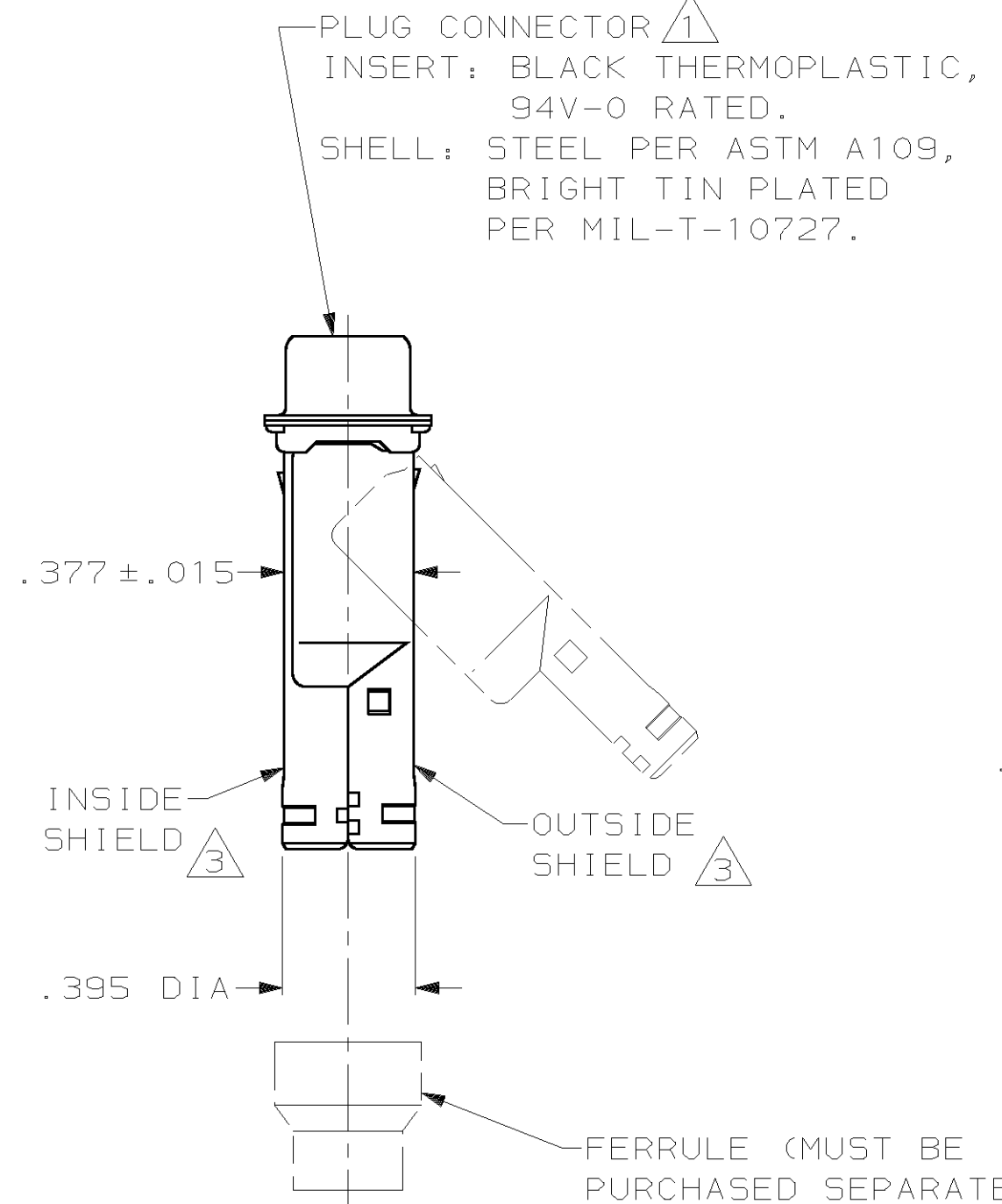
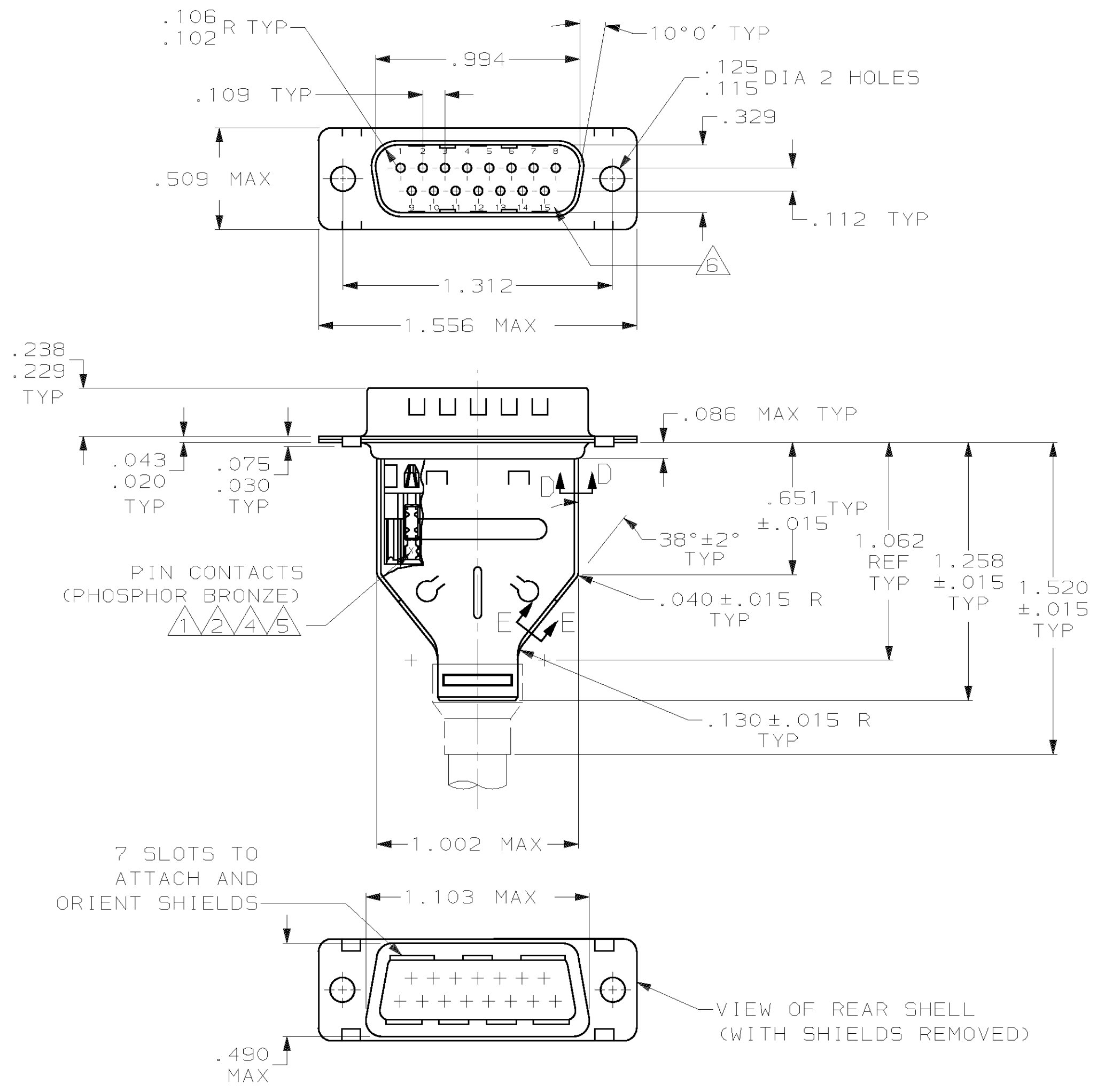


THIS DRAWING IS UNPUBLISHED. RELEASED FOR PUBLICATION  
 © COPYRIGHT 19 BY AMP INCORPORATED. ALL INTERNATIONAL RIGHTS RESERVED.

LOC	DIST	P	F	REVISIONS				
				ZONE	LTR	DESCRIPTION	DATE	APPD
BD	48			A		REDRAWN	5-24-90	-
				B		OBS -3 PER EC 0020-1534-93	04/13/94	PR
				C		OBSOLETE -6 PER EC 0020-733-95	05 FEB 95	CS
				D		OBSOLETE -4 PER EC 0020-525-96	10 JUN 96	CS
				E		REV PER EC 0640-463-98	23 MAR 99	RT



- ① PLUG CONNECTOR FULLY LOADED WITH CONTACTS. ALL OTHER PARTS SHIPPED UNASSEMBLED (EACH PART INDIVIDUALLY BULK PACKED).
- ② NUMBER ON CONTACT INDICATES WIRE RANGE.
- ③ SHIELDS: MATERIAL-.020 THICK STEEL, TIN PLATED.
- ④ CONTACTS PLATED GOLD PLATED FOR LENGTH OF .150 MIN FROM MATING END, .000030 MIN GOLD IN MATED AREA. .000100-.000200 BRIGHT TIN OR BRIGHT IN TIN-LEAD IN WIRE TERMINATION AREA. .000050 NICKEL UNDERPLATE ON ENTIRE CONTACT.
- ⑤ CONTACTS PLATED GOLD PLATED FOR LENGTH OF .150 MIN FROM MATING END, GOLD FLASH IN MATED AREA. .000100-.000200 BRIGHT TIN OR BRIGHT IN TIN-LEAD IN WIRE TERMINATION AREA. .000030 NICKEL UNDERPLATE ON ENTIRE CONTACT.
- ⑥ RAISED CAVITY IDENTIFICATION AND AMP TRADEMARK.

OBSOLETE	⑤	3	#20-22	747531-6
		2	#22-26	747531-5
OBSOLETE		1	#26-30	747531-4
OBSOLETE	④	3	#20-22	747531-3
		2	#22-26	747531-2
		1	#26-30	747531-1
	CONTACT FINISH	②	WIRE RANGE	PART NUMBER

DO NOT SCALE PRINT. UNLESS SPECIFIED DIMENSIONS IN INCHES TOLERANCES ON: 2 PLC DEC ± - 3 PLC DEC ± .005 ANGLES ± 0°30'	DR 5-24-90 J.GALLUCCI BG CHK 8-31-90 J.McCLINTON APPD 9-4-90 B.TAYLOR APPD 9-4-90 J.ASSINI	<b>AMP</b> AMP INCORPORATED Harrisburg, Pa. 17105	
MATERIAL SEE CALL OUT ③	PRODUCT SPEC -	NAME KIT, PLUG, SHIELDING HARDWARE, SIZE 2, 15 POSN, HDE-20, AMPLIMITE™	
FINISH SEE CALL OUT AND NOTES	APPLICATION SPEC -	SIZE <b>C</b>	FSCM NO 00779
	WEIGHT -	SCALE 2:1	DRAWING NO 747531 SHEET 1 OF 1