

THIS DRAWING IS UNPUBLISHED.

RELEASED FOR PUBLICATION

ALL RIGHTS RESERVED.

© COPYRIGHT - By -

LOC J DIST -

REVISIONS

変更

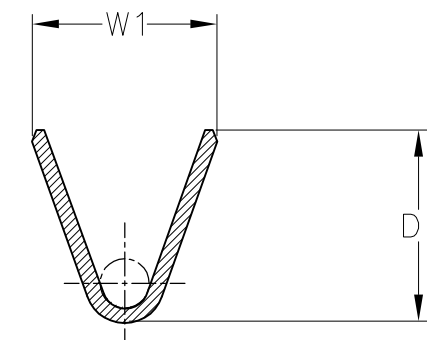
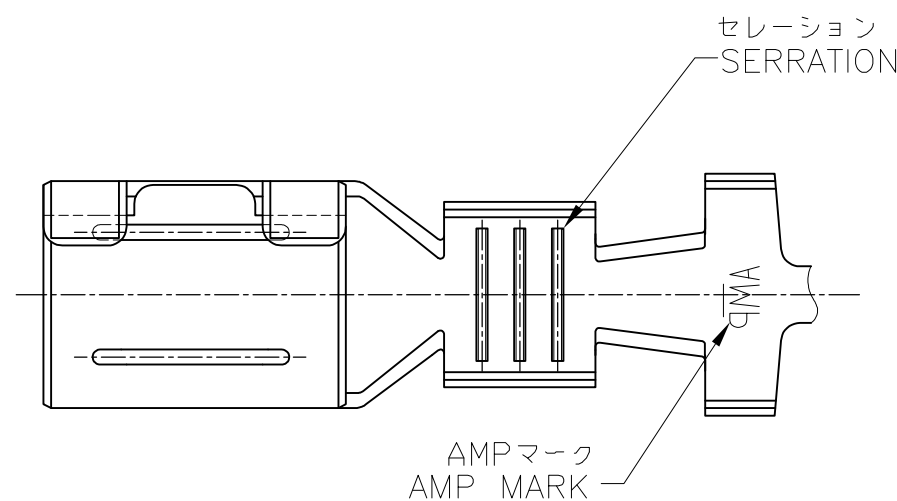
DESCRIPTION

DATE

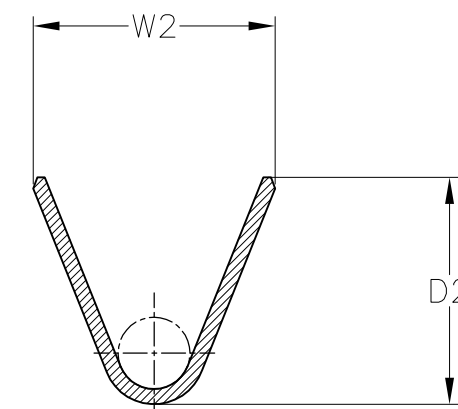
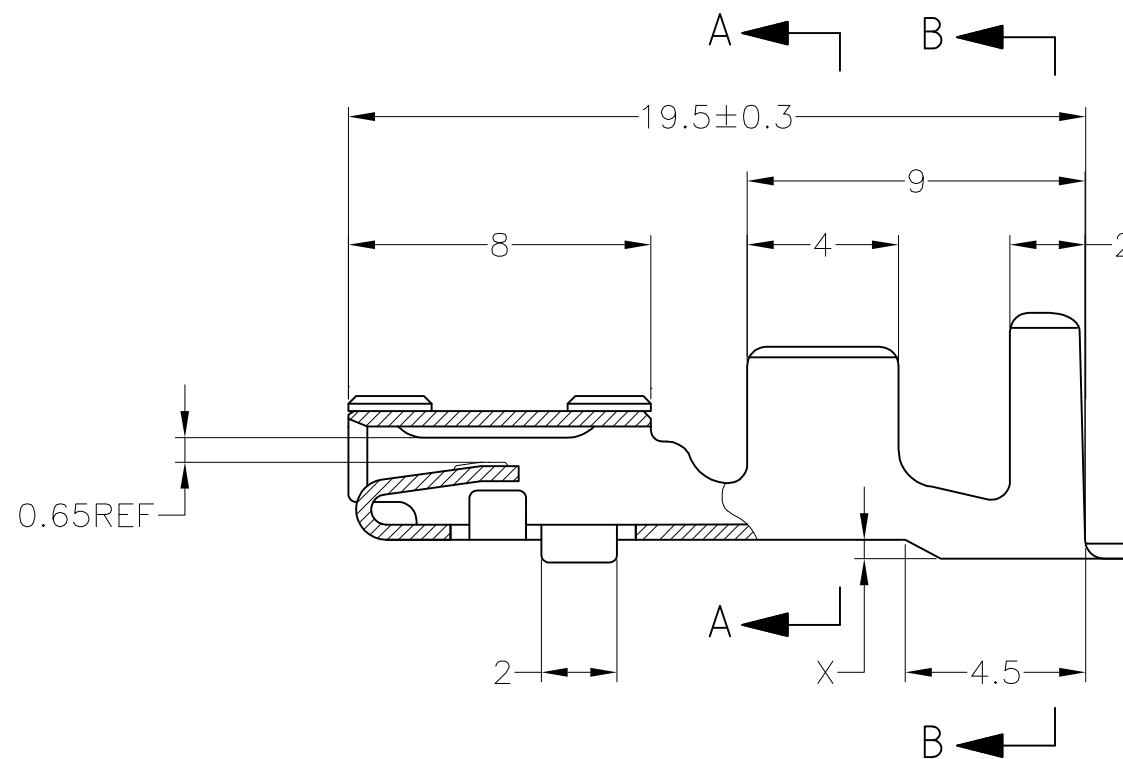
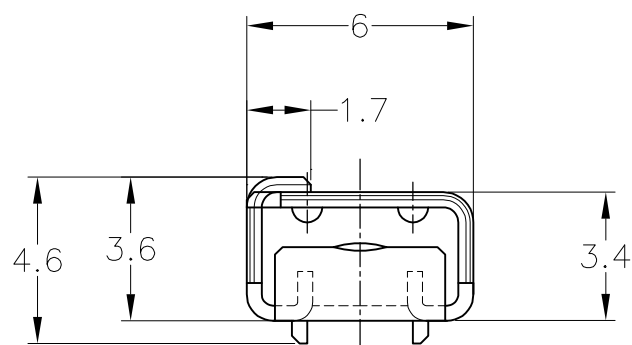
DWN

APVD

P	LTR	DESCRIPTION	DATE	DWN	APVD
P		REVISED PER ECO-11-005140	28MAR11	RK	HMR



A-A



B-B

1. APPLIED TAB CONTACT: 175087-1 (M), 175088-1 (L)

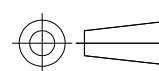
1. 適合タブコンタクト: 175087-1 (M), 175088-1 (L)

2~3	5.5	4.7	6.9	4.9	0.8	Pre Tin	BRASS 0.4t	175091-1
0.5~1.25	4.3	3.4	5.7	3.6	0.6	Pre Tin	BRASS 0.4t	175090-1
WIRE RANGE (mm ²)	D2	D1	W2	W1	X	FINISH	MATERIAL	PART NUMBER

THIS DRAWING IS A CONTROLLED DOCUMENT.

DIMENSIONS: 単位: 耗 mm

TOLERANCES UNLESS OTHERWISE SPECIFIED: 一般公差



0 PLC	±
1 PLC	±
2 PLC	±
3 PLC	±
4 PLC	±
ANGLES	±

MATERIAL 材料 SEE TABLE

FINISH 仕上 SEE TABLE

DWN M.SUGAWARA 15DEC06
 CHK T.SHINOHARA 15DEC06
 APVD K.BETSUI 15DEC06
 PRODUCT SPEC 製品規格
 APPLICATION SPEC 取付適用規格
 114-5126
 WEIGHT -

STE TE Connectivity

187 SERIES SEALED CONNECTOR RECEPTACLE CONTACT

NAME 名称	SIZE	CAGE CODE	DRAWING NO 番号	RESTRICTED TO
	A3	00779	G-175090	-

TOLERANCES UNLESS OTHERWISE SPECIFIED: 一般公差	
10 _±	±0.2
30 _± > 10	±0.25
100 _± > 30	±0.3
ANGLE	±3°

CUSTOMER DRAWING SCALE 5:1 SHEET 1 OF 1 REV P