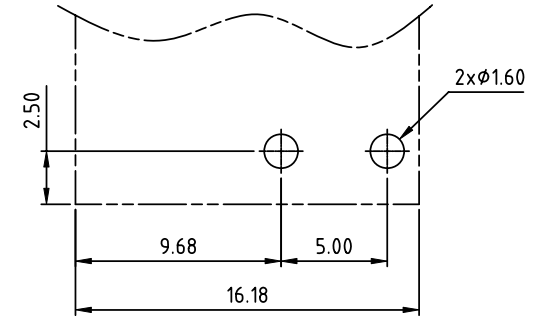
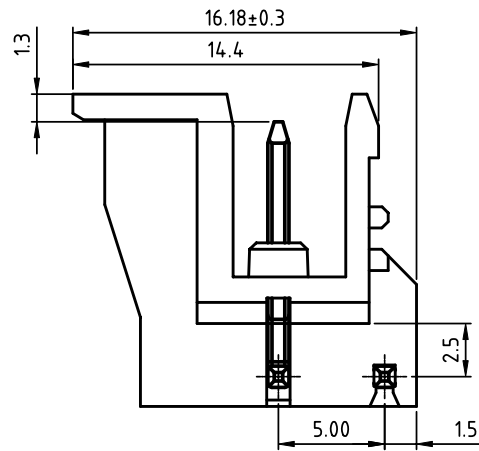
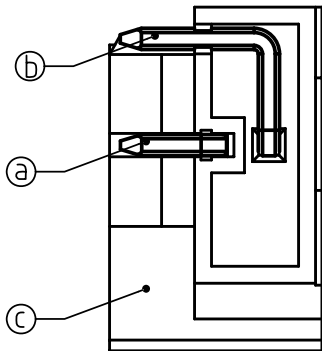
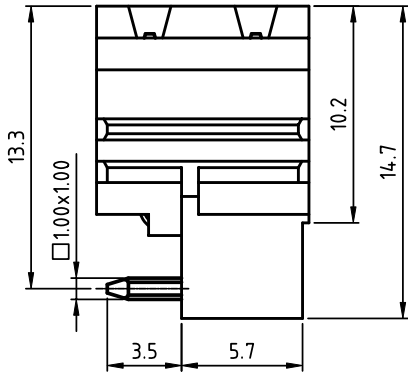
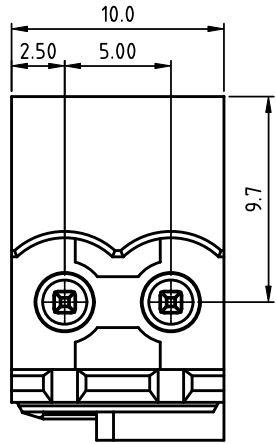


PRODUCT NUMBER	PITCH
EU0270x100J0G	5.00 mm



RECOMMENDED P.C.B LAYOUT
TOP VIEW

Material:

- Item Ⓐ Pin-01: Copper, Tin plated
- Item Ⓑ Pin-02: Copper, Tin plated
- Item Ⓒ Terminal(housing): Thermoplastic (UL94V-0)

Electrical:

- Voltage rating: 300V
- Current rating: 20A
- Withstanding Voltage: 1.6 KV
- Operating temperature: -40°C to +115°C
- Soldering temperature: 260°C±5°C/5 Sec
- Safety Approval:

PART NO.: EU 02 70 x 1 00J0 G

Color	RoHS compliant (lead<4%) In copper Alloy
0 Black (RAL9005)	
2 Red (RAL3001/D)	
3 Orange(RAL2011/P)	
4 Yellow(RAL1018/A)	
5 Green(RAL6018/T)	
6 Blue (RAL5015/A)	
8 Grey(RAL7035/D)	
9 White(RAL1102)	
C Green(RAL6018/U)	

mat'l. code		surface ASME Y14.5 ✓	tolerance ASME Y14.5	projection 	product family TERMINAL BLOCK
ltr	ecn no	dr	date	tolerances unless otherwise specified	title TERMINAL BLOCK PLUGGABLE SOCKET, LEFT TYPE
				angles 	
				MM	scale
				X.±0.5	
				X.X±0.3	FCI
				X.XX±0.1	
		dr	EVIN ZHONG	050914	dwg no
		enr	EVIN ZHONG	050914	sheet 1 of 1
		chr	HANKE FENG	050914	size
		appd	SHI JUN	050914	A4
					type
					CUSTOMER Drawing
sheet index	revision sheet	A	1		