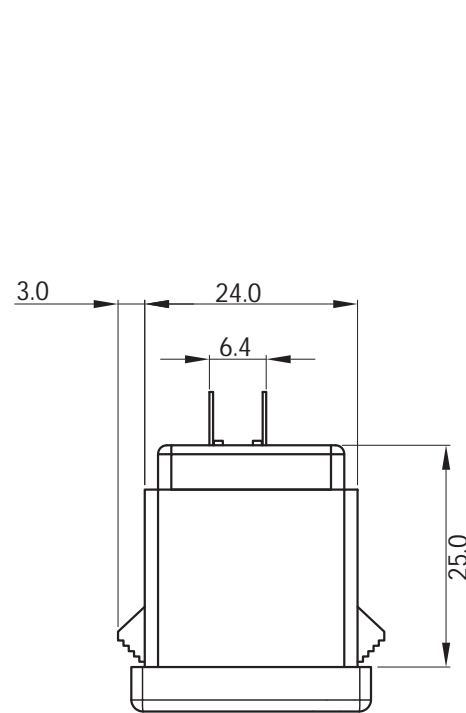
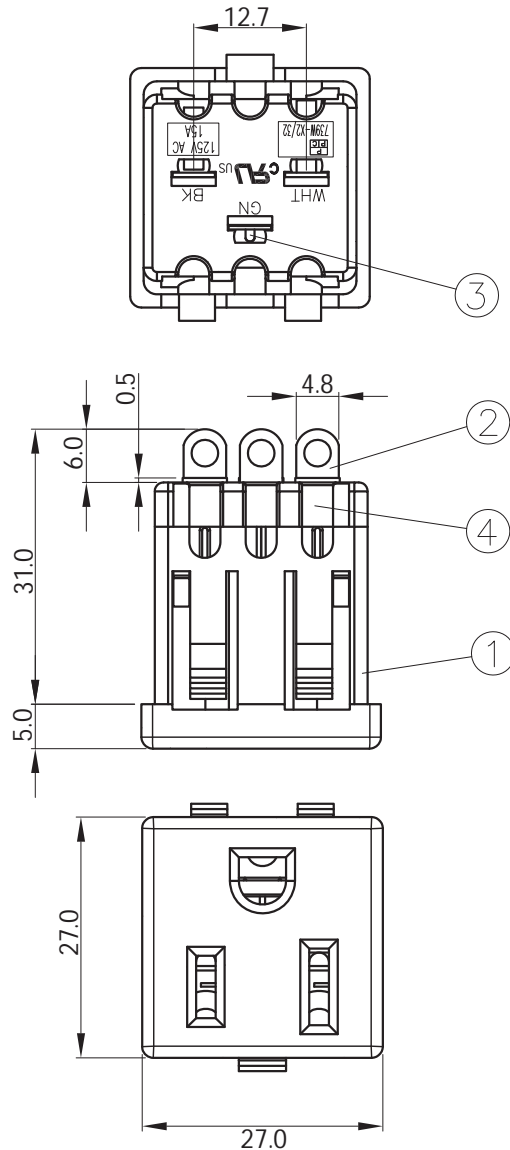


THESE DRAWINGS ARE THE PROPERTY OF QUALTEK ELECTRONICS AND NOT TO BE REPRODUCED FOR OR COMMUNICATED TO A THIRD PARTY WITHOUT THE EXPRESS WRITTEN PERMISSION OF AN OFFICER OF QUALTEK ELECTRONICS.

REVISION			
REV.	DESCRIPTION	DATE	APPROVED



**CONTROLLED**

NOTES:

RATING: 15A 125V AC  
 APPROVALS: UL,cUL  
 PANEL THICKNESS: 0.8~1.8mm  
 RoHS COMPLIANT

4	Cover back of the body, NYLON Black Color	1
3	Contact PIN Brass Strip t=0.4mm Tin-Plated	1
2	Contact PIN Brass Strip t=0.4mm Tin-Plated	2
1	Body Insulator NYLON Black Color	1

Dim range (mm)	Tolerance +/- (mm)	Qualtek Electronics Corp. PPC DIVISION		
		Part Number: 739W-X2/32-A		RoHS Compliant
0-1	0.30	Description: AC RECEPTACLE		
1-6	0.35			
6-18	0.40	UNIT: mm		
18-50	0.50	Drawn / Date	Checked / Date	Approved / Date
50-120	0.70	R. Nuti	02-12-18	LY / 02-12-18
120-250	0.90	02-12-18	02-12-18	
250-500	1.20			