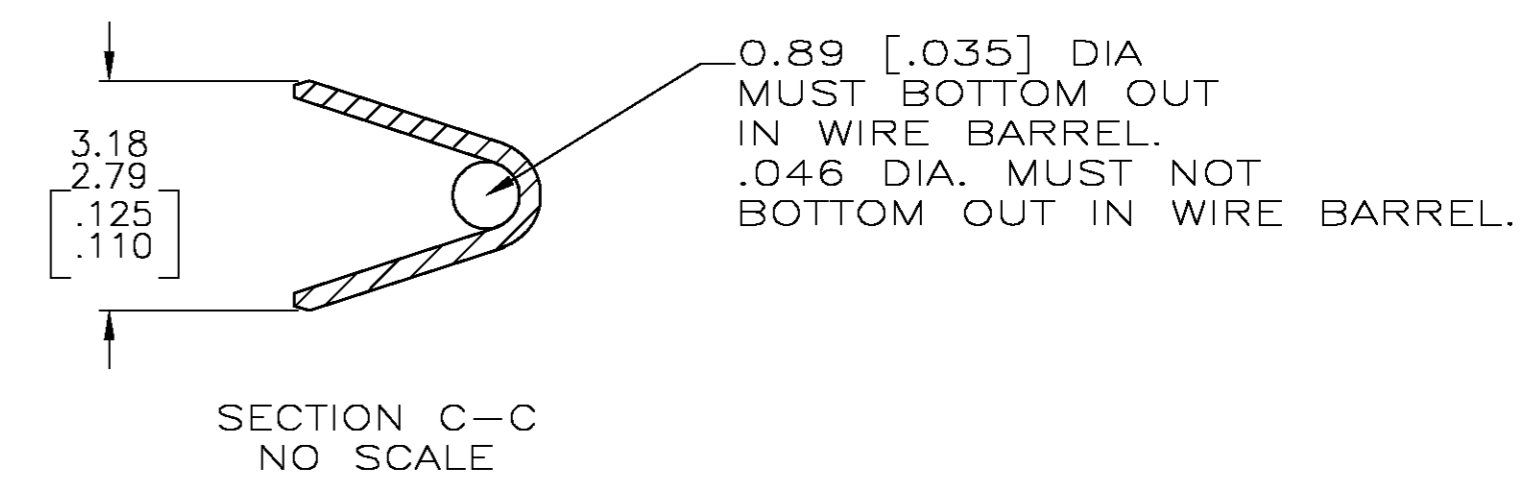
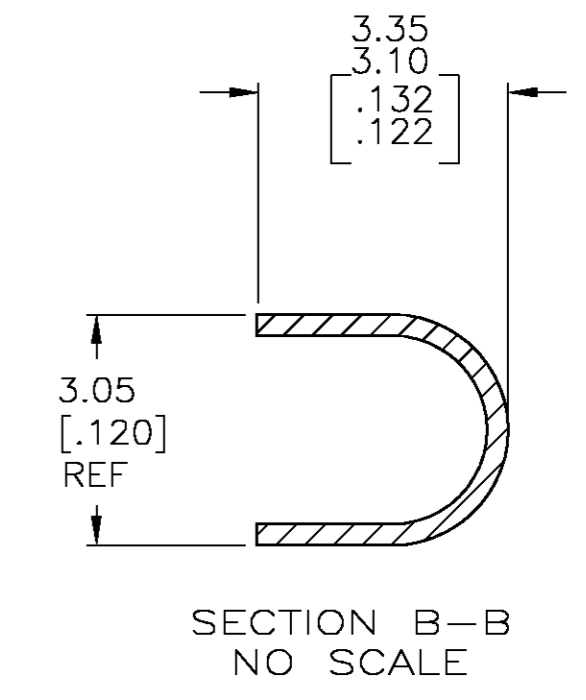
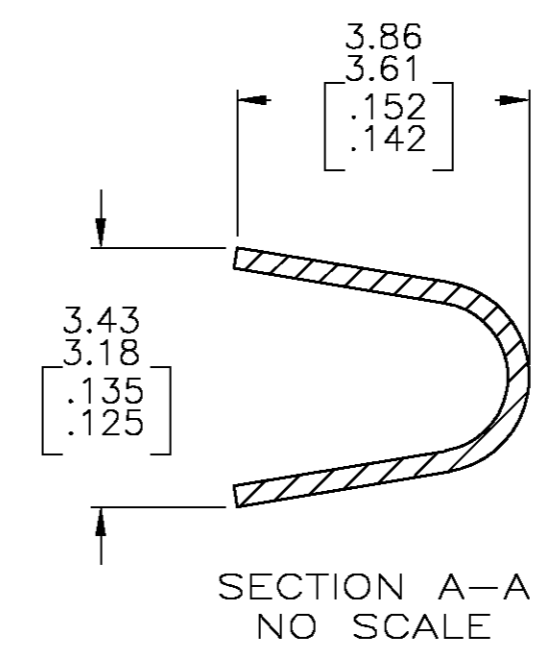
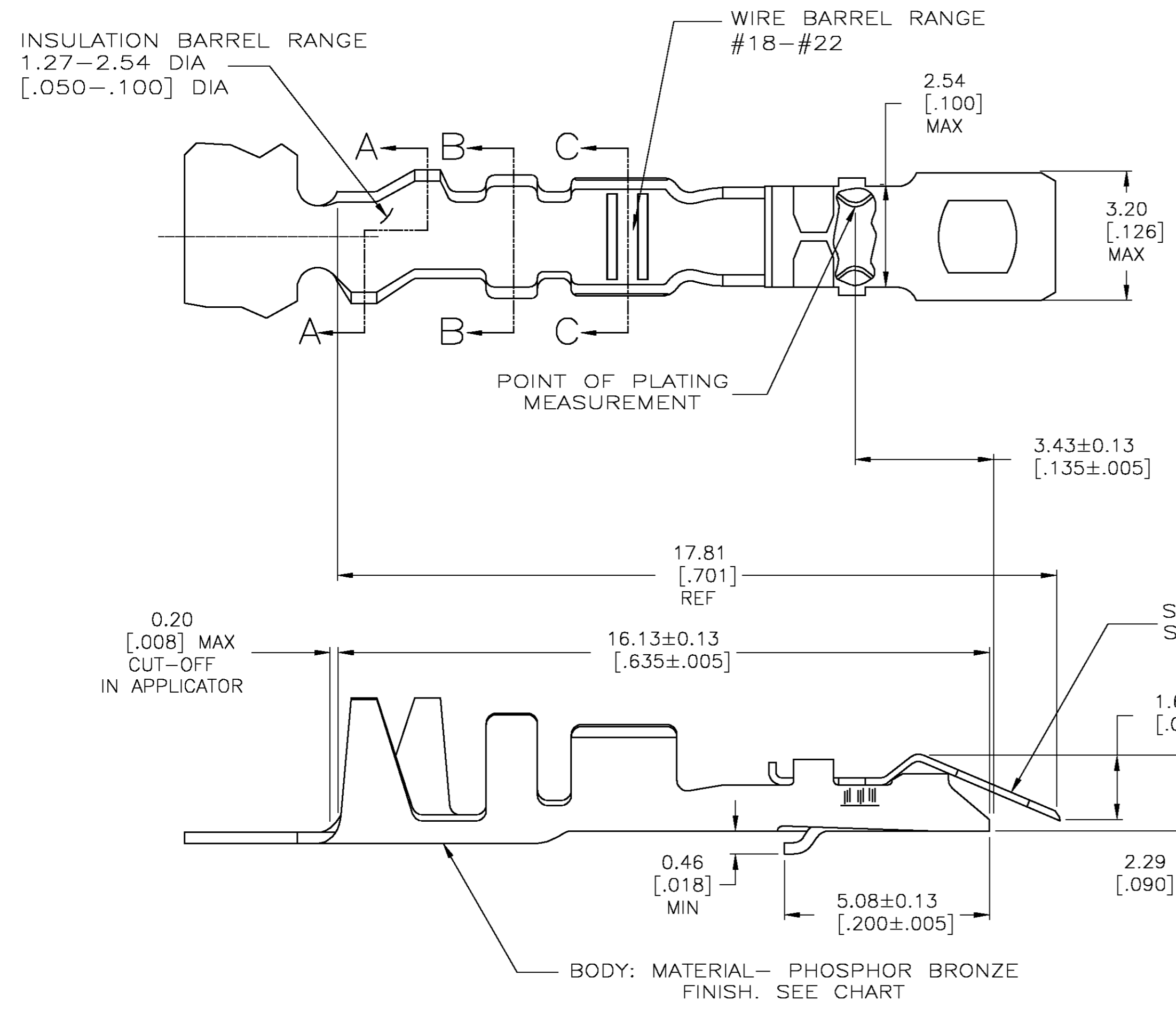


THIS DRAWING IS UNPUBLISHED. RELEASED FOR PUBLICATION
 © COPYRIGHT BY TYCO ELECTRONICS CORPORATION. ALL RIGHTS RESERVED.

LOC		DIST		REVISIONS			
P	LTR	DESCRIPTION		DATE	DWN	APVD	
AD	00	A	EC 0G3C 0223 05	2APR05	BSV	DLS	

1. PLATED WITH .000100 TIN-LEAD OVER .000030 NICKEL-ENTIRE CONTACT
2. FOR WIRE INSULATION GREATER THAN .100 DIA. THE INSULATION STRIP LENGTH SHOULD BE .370-THIS PLACES THE INSULATION OUTSIDE THE BARREL.
3. PLATED WITH .000100 TIN OVER .000030 NICKEL-ENTIRE CONTACT



	-	5-147082-1
	-	147082-1
BODY FINISH	PART NO. (LOOSE PIECE)	PART NO. (STRIP)

THIS DRAWING IS A CONTROLLED DOCUMENT.		DWN B. HAYMAKER 22JUN98	tyco Tyco Electronics Corporation	
DIMENSIONS: mm [INCHES]		CHK B. SPINK 22JUN98	Harrisburg, Pa 17105-3608	
TOLERANCES UNLESS OTHERWISE SPECIFIED:		APVD -	NAME	
0 PLC ± -		PRODUCT SPEC -	CONTACT LOCKING CLIP	
1 PLC ± -		APPLICATION SPEC -	.031 X .062 POST	
2 PLC ± -		WEIGHT -	SIZE A2	CAGE CODE 00779
3 PLC ± 0.20 [.008]		FINISH SEE CHART	DRAWING NO C=147082	RESTRICTED TO -
4 PLC ± -		MATERIAL AS NOTED	SCALE 10:1	SHEET 1 OF 1
ANGLES ± -		CUSTOMER DRAWING	REV A	