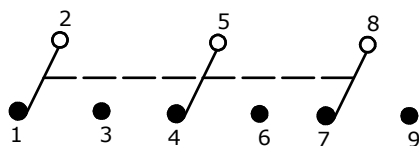


P.C. MOUNTING

SWITCH FUNCTION		
POS. 1	POS. 2	POS. 3
ON	NONE	(ON)
2-3, 5-6, 8-9	OPEN	2-1, 5-4, 8-7

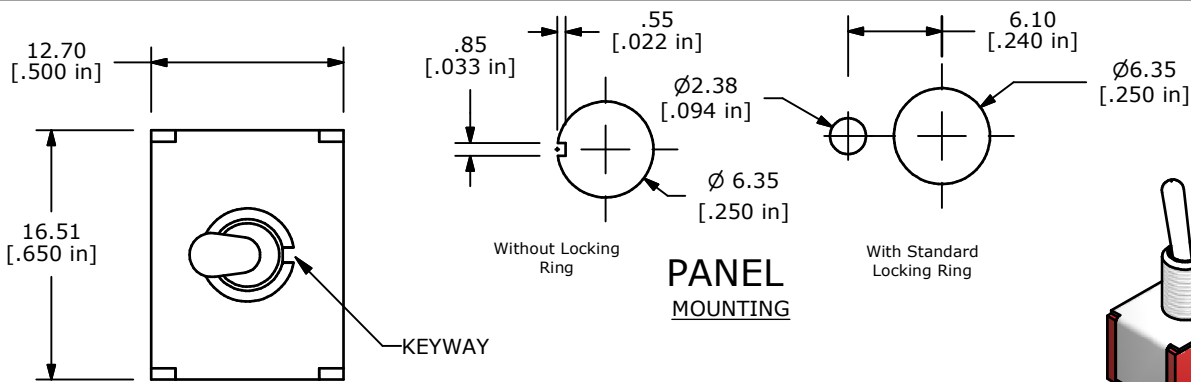
(ON) = MOMENTARY



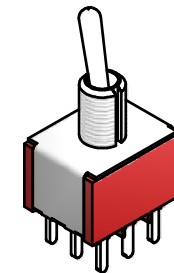
CIRCUIT: 3PDT

NOTE:

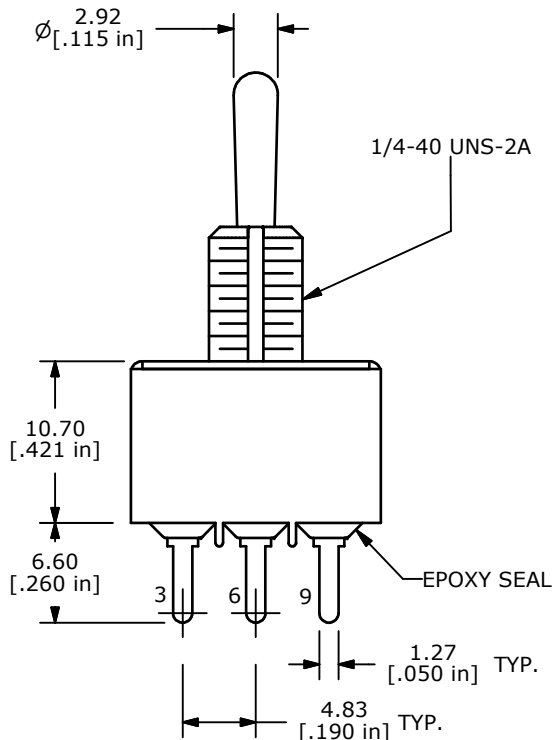
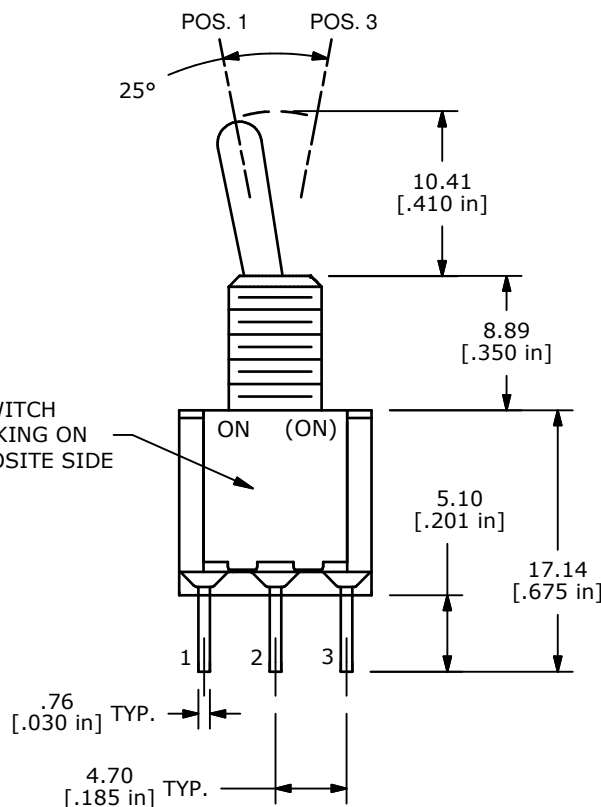
- ALL DIMENSIONS IN MM [INCH]
- GENERAL TOLERANCE: X.X=±0.4
X.XX=±0.25
- TERMINAL NUMBERS FOR REF ONLY
- PLATING MATERIAL: GOLD
- RATING: 0.4 (VA) max. @20V max. (AC or DC);
- ELECTRIC LIFE: 40,000 make-and-break cycles at full load.
- INSULATION RESISTANCE: 1,000 Mega-ohm min.
- DIELECTRIC STRENGTH: 1,000 V RMS @sea level.
- OPERATING TEMP.: -30°C to 85°C
- ▲ DENOTES CRITICAL PARAMETER.
- 2002/95/EC (ROHS) COMPLIANT
- HARDWARE TO BE SHIPPED BULK
T100000 - HEXNUT - QTY 2
T100011 - LOCKWASHER - QTY 1
T100015 - LOCKRING - QTY 1



PANEL MOUNTING



ISOMETRIC



A	18114	RELEASED FOR PRODUCTION	5/27/08	BLR
REV	PCR NO	DESCRIPTION	DATE	BY

TITLE 1003P2T1B1M2REH				
SCALE	DATE	DR	DWG	REV
2:1	5/27/2008	BLR	ST131038	A

THE INFORMATION CONTAINED IN THIS DOCUMENT IS PROPRIETARY TO E-SWITCH AND IS NOT TO BE COPIED OR TRANSFERRED