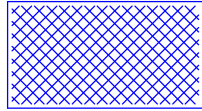


THIS COPY IS PROVIDED ON A RESTRICTED BASIS AND IS NOT TO BE USED IN ANY WAY DETRIMENTAL TO THE INTERESTS OF PANDUIT CORP.



CLEANING PAD (QTY. 1)



5cc TUBE ANTI-OXIDANT PASTE (QTY. 1)



#12-24, M6, #10-32, & M5
SLOTTED HEX-HEAD ZINC PLATED
THREAD-FORMING SCREW (QTY. 2 OF EACH)

NOTES:

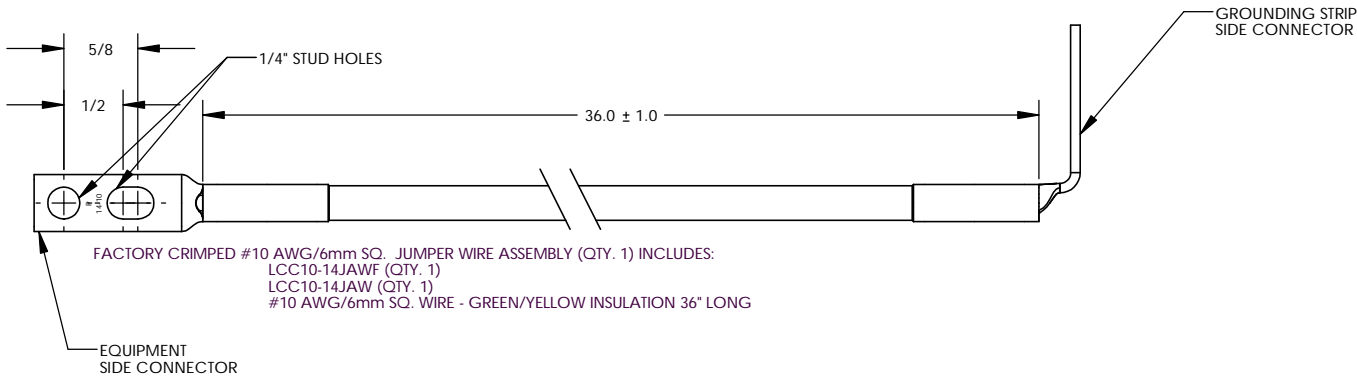
1. RACK GROUNDING EQUIPMENT JUMPER KIT
PART NUMBER: RGEJ1036PFY
2. PACKAGING: 1 KIT PER BAG; 10 KITS PER BOX
PACKAGE WEIGHT: 0.2770 lbs.
CARTON WEIGHT: 3.399 lbs.
3. ALL COMPONENTS THAT MAKE UP THIS KIT
ARE RoHS COMPLIANT.



LISTED
GROUNDING AND BONDING EQUIPMENT



CERTIFIED



FACTORY CRIMPED #10 AWG/6mm SQ. JUMPER WIRE ASSEMBLY (QTY. 1) INCLUDES:
LCC10-14JAWF (QTY. 1)
LCC10-14JAW (QTY. 1)
#10 AWG/6mm SQ. WIRE - GREEN/YELLOW INSULATION 36" LONG

C41645_02

PANDUIT CORP. TINLEY PARK, ILLINOIS

EQUIPMENT JUMPER
(RGEJ1036PFY)
CUSTOMER DRAWING

UNLESS OTHERWISE SPECIFIED
DIMENSIONAL TOLERANCES ARE:
(X) ± (XXX) ±
(XX) ± ANGLES ±

UNLESS OTHERWISE SPECIFIED,
ALL DIMENSIONS ARE GIVEN IN
INCHES, THIRD ANGLE PROJECTION

REV	DATE	BY	CHK	DESCRIPTION	ECN	PM	CUST	CHK'D	DRAWN BY	DATE	MAT'L	SCALE	DRAWING NO / CAD FILE	DWG SIZE
02	9/06	JHNU	CSH	REVISED NOTE 2: ADDED PACKAGE & CARTON WEIGHT	PC00542				JHNU	2/06		NONE	C41645	B
01	3/06	JHNU	CSH	REMOVED CE SYMBOL FROM DRAWING	PC00362				JHNU	2/06		NONE	C41645	B
00	2/06	JHNU	CSH	DRAWING RELEASED	PC00325				JHNU	2/06		NONE	C41645	B