



RoHS Compliant

**Features**

- 0402 Size. Rated current up to 2A MAX.
- Effective for filtering noise on power (Vcc) lines.

**Applications**

- PCs, Laser Printers, Cellular Phone, Power/ Signal Lines for LCD Display, Office Equipments
- AV Power Supply/ Signal Line, TV, VCR, etc.
- High Current Signal Lines

**How to Order**

**KNH 10 C104 DA 20T S**  
① ② ③ ④ ⑤ ⑥

① Series

② Size Code

<b>10</b>	1005 (EIA:0402)
-----------	-----------------

③ Capacitance

<b>C474</b>	470,000pF	<b>C104</b>	100,000pF
<b>C224</b>	220,000pF		

④ Application

<b>DA</b>	Digital Circuit in General
-----------	----------------------------

⑤ Packaging

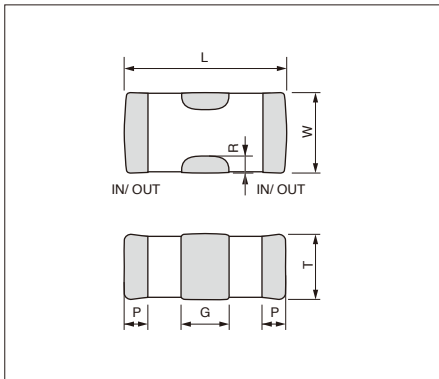
<b>20T</b>	T&R: 20,000 pcs. (Std.)
------------	-------------------------

⑥ Termination

<b>S</b>	Std.
----------	------

**Dimensions**

(Unit: mm)

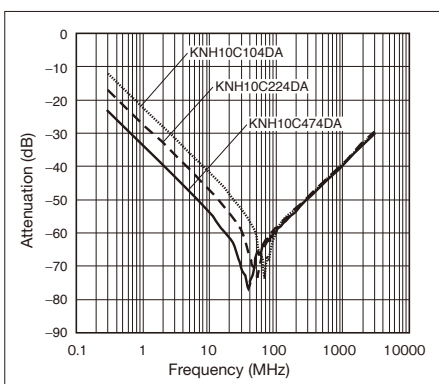


CODE	L	W	T
Dimensions	1.00±0.10	0.50±0.10	0.35±0.05
CODE	G	P	R
Dimensions	0.30±0.05	0.15±0.075	≥0.01

**Specifications**

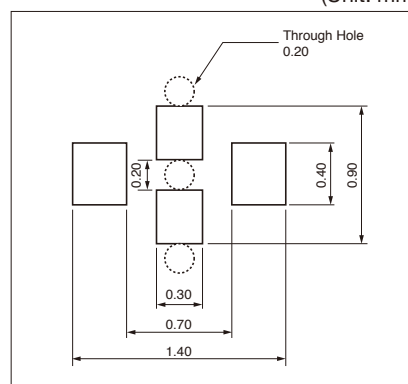
Part Number	Capacitance (+50/ -20%)	Rated Current	Rated Voltage	Temp. Coefficient of Capacitance
<b>KNH10C474DA20TS</b>	470,000pF	2.0A	10VDC	±15%
<b>KNH10C224DA20TS</b>	220,000pF	2.0A	10VDC	±15%
<b>KNH10C104DA20TS</b>	100,000pF	2.0A	10VDC	±15%

**Attenuation Characteristics**



**Recommended Land Pattern**

(Unit: mm)



**Packaging Specification**

• Taping (20,000/ reel)

(Unit: mm)

