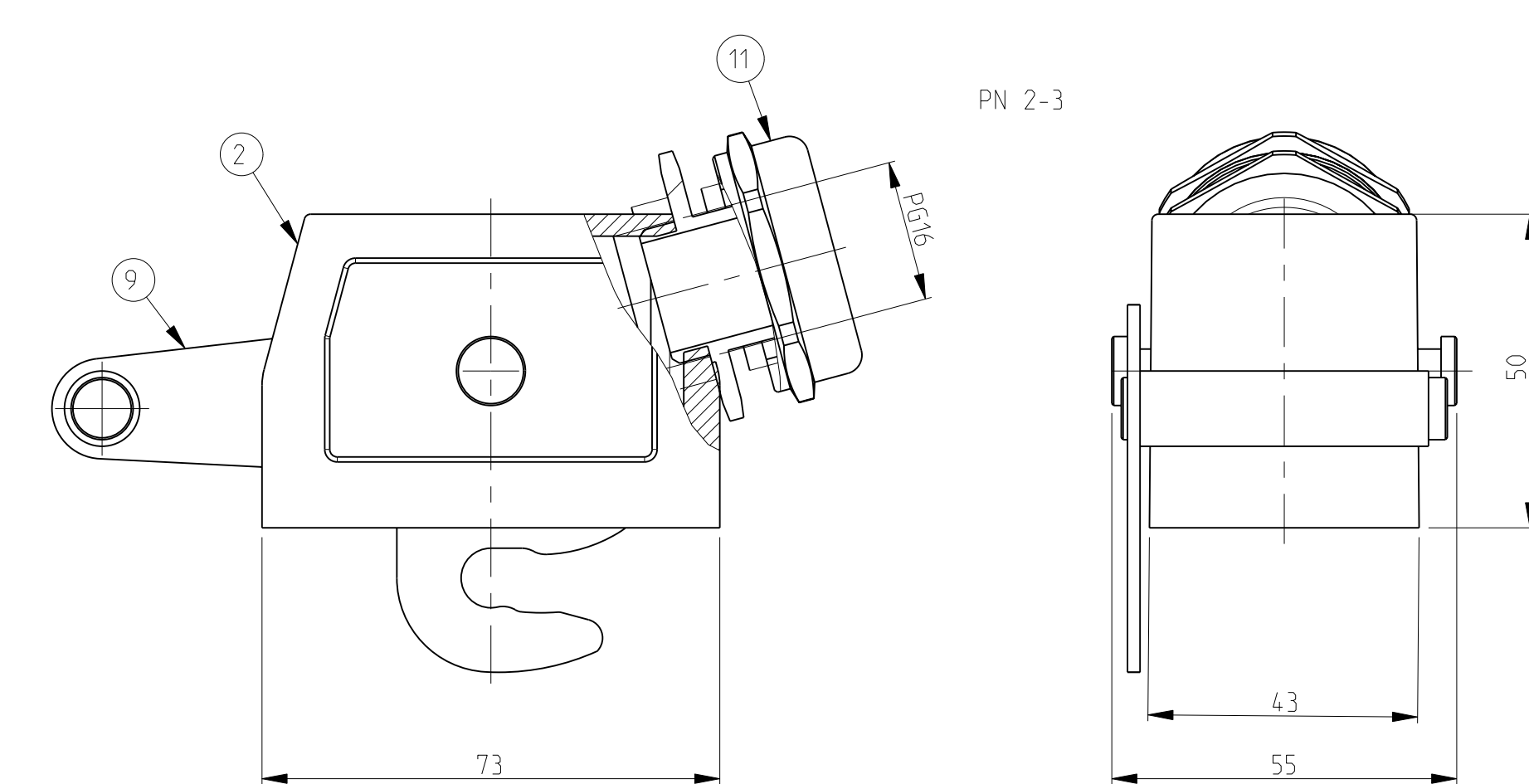
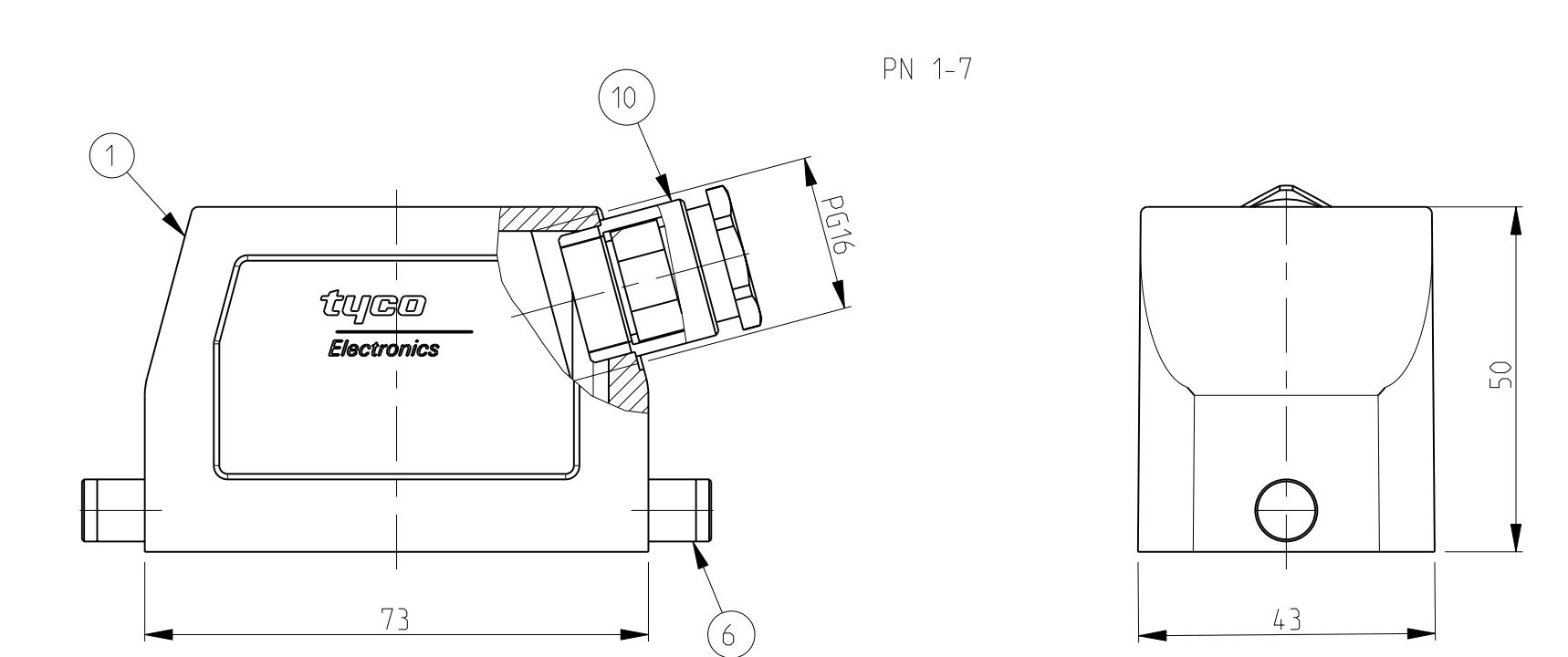
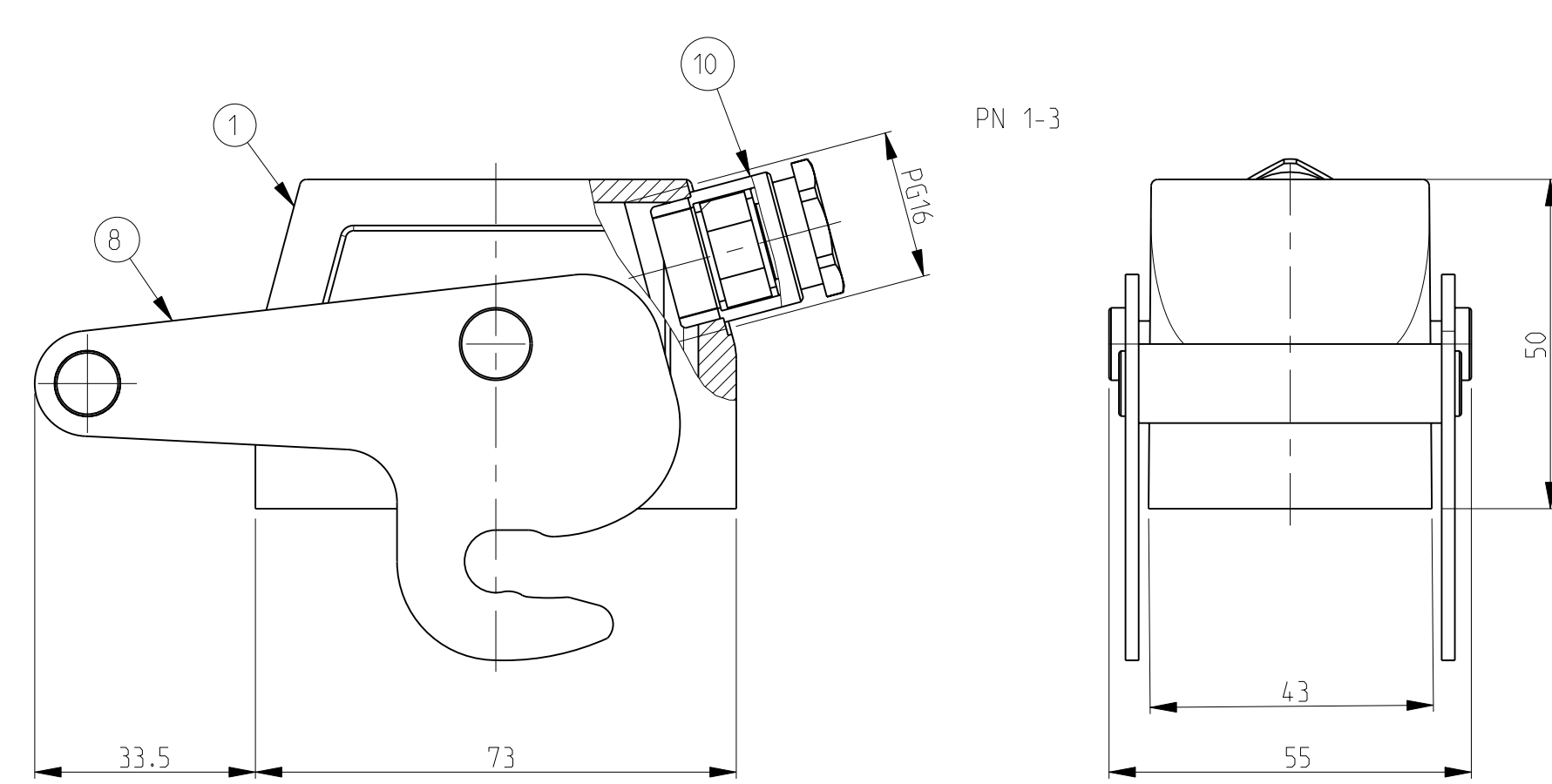
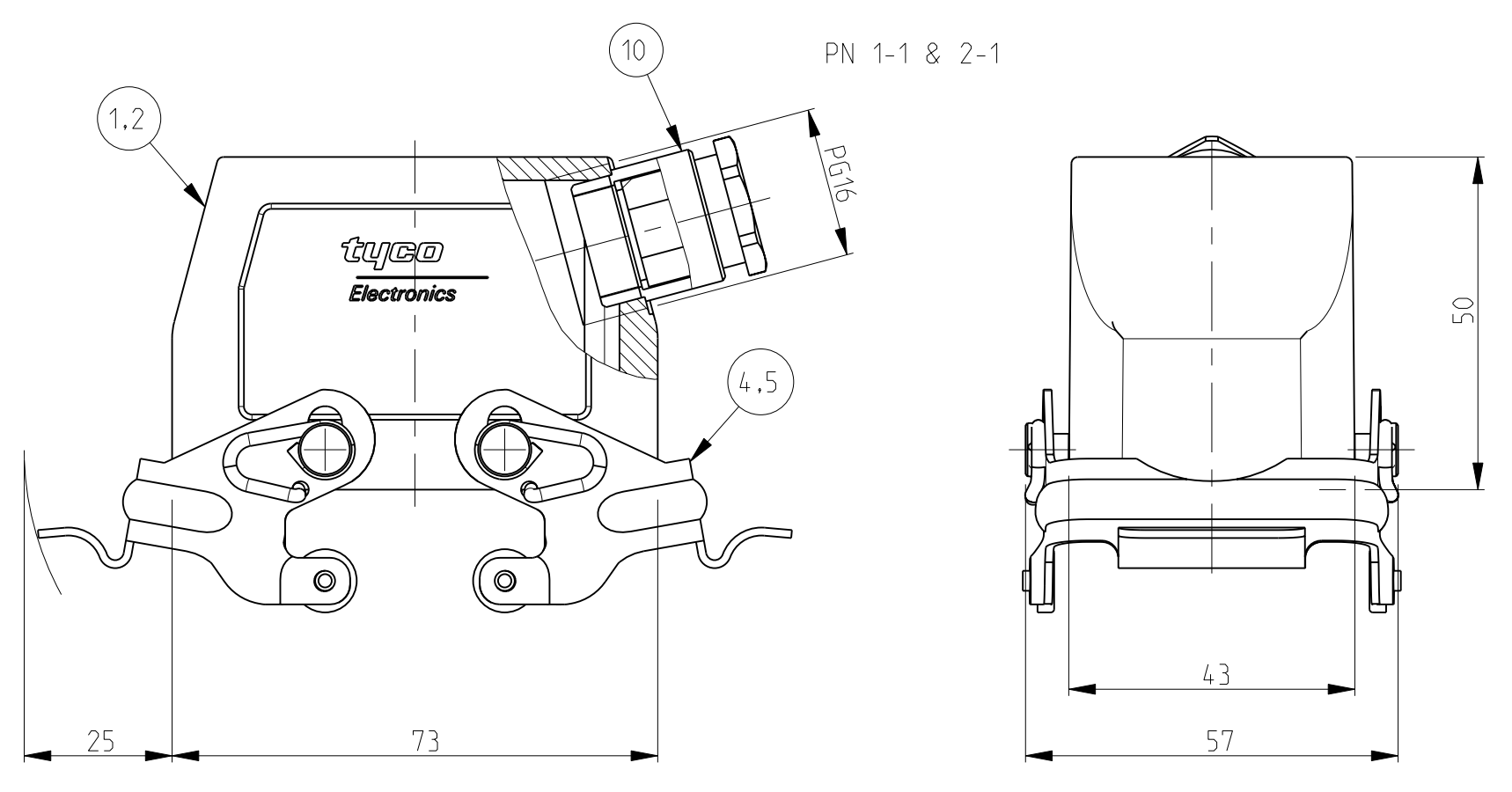
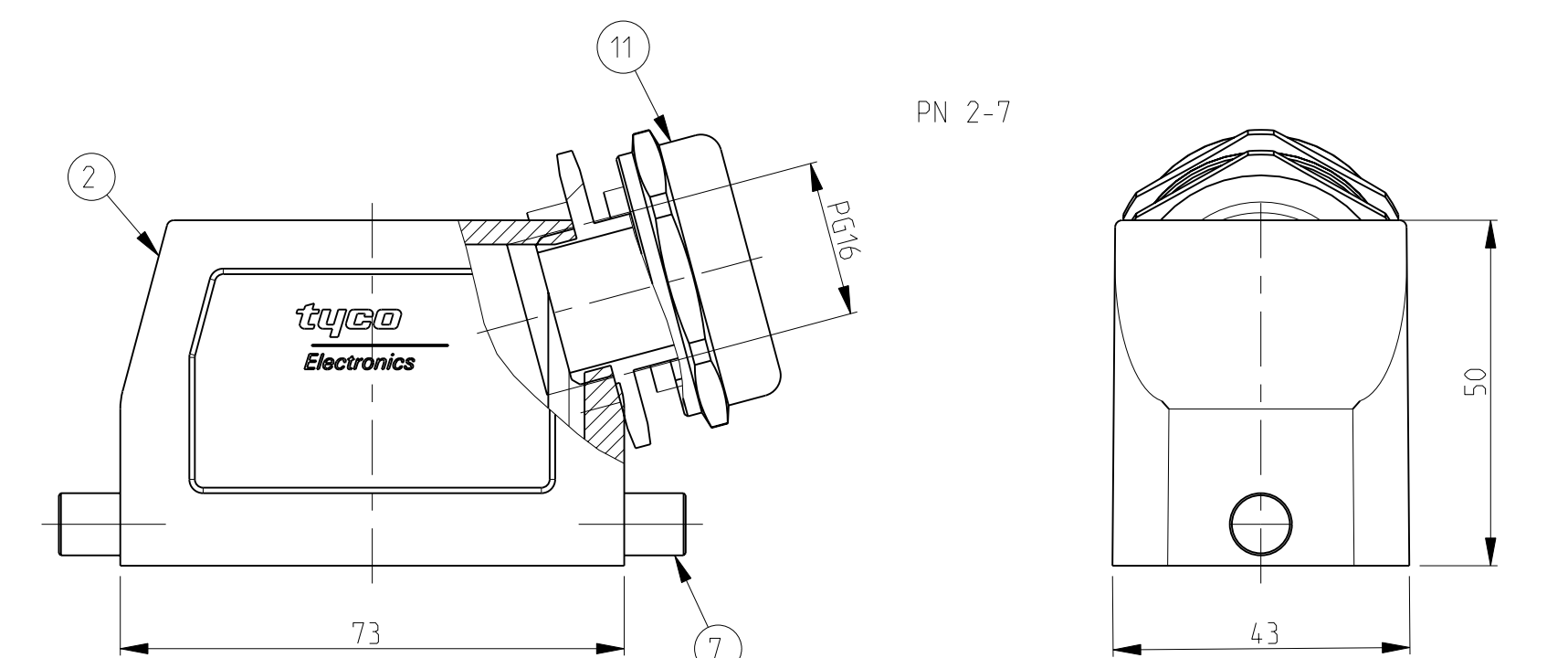
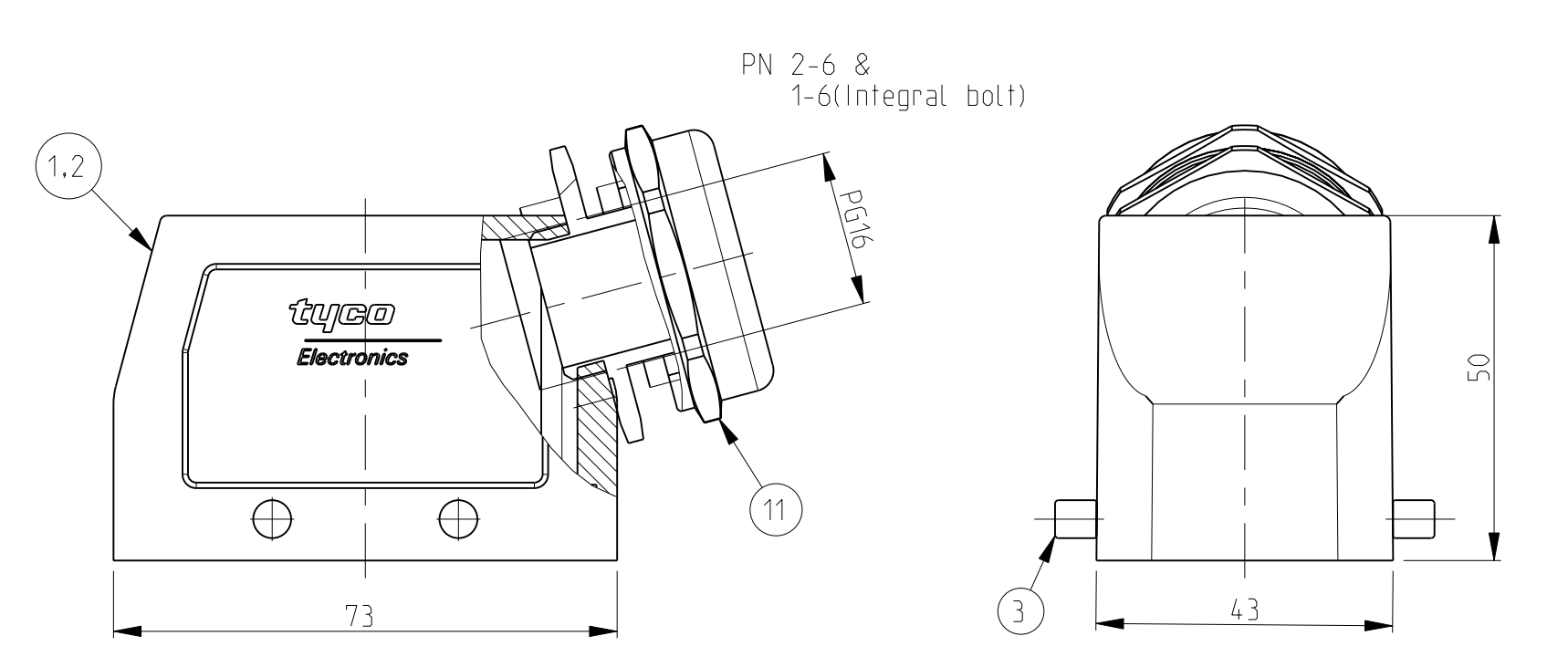
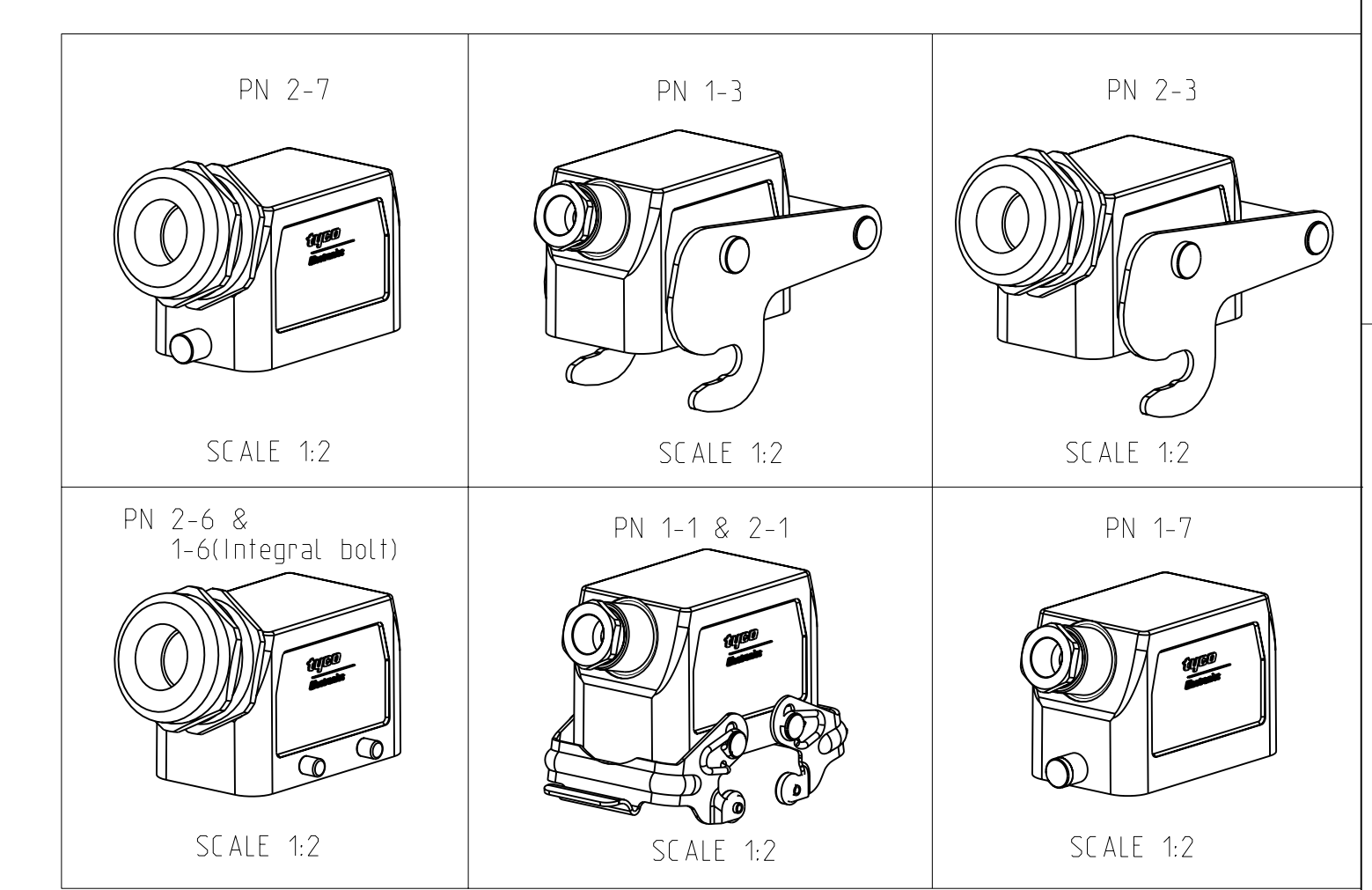


| REV. NO. |  | DESCRIPTION                   | DATE     | DWN | APVD |
|----------|--|-------------------------------|----------|-----|------|
| A2       |  | Released as per ECR-07-030422 | 17.12.07 | SP  | TS   |



- NOTES.
- Material:Housing:Aluminium Diecasting Alloy
  - Surface-Powder Varnish Grey  
-Aluminium Oxide +  
Varnish Black
  - Varnish on the inside not necessary
  - Packaging  
Quantity 5 Pieces in a box



| QTY | QTY | QTY | QTY | QTY | QTY | QTY | QTY | QTY | QTY | DESCRIPTION            | MATERIAL        | SURFACE         | COLOR | ITEM NO | REMARKS |
|-----|-----|-----|-----|-----|-----|-----|-----|-----|-----|------------------------|-----------------|-----------------|-------|---------|---------|
| 1   | 1   | 1   | 1   | 1   | 1   | 1   | 1   | 1   | 1   | Gland fitting          | Brass           | Nickel plated   | Blue  | 11      | PG16    |
| 1   | 1   | 1   | 1   | 1   | 1   | 1   | 1   | 1   | 1   | Cable connection round | Brass           | Nickel plated   | Blue  | 10      | PG16    |
| 1   |     |     |     |     |     |     |     |     |     | ZB Central clip        | Stainless steel | Blank           | -     | 9       |         |
| 1   |     |     |     |     |     |     |     |     |     | ZB Central clip        | Steel           | Zinc plated     | Blue  | 8       |         |
|     | 2   |     |     |     |     |     |     |     |     | LB-Clip bolt           | Stainless steel | Blank           | -     | 7       |         |
|     |     | 2   |     |     |     |     |     |     |     | LB-Clip bolt           | Steel           | Zinc plated     | Blue  | 6       |         |
|     |     |     | 2   |     |     |     |     |     |     | VS-Side clip           | Stainless steel | Blank           | -     | 5       |         |
|     |     |     |     | 2   |     |     |     |     |     | VS-Side clip           | Steel           | Zinc plated     | Blue  | 4       |         |
|     |     |     |     |     | 4   |     |     |     |     | VS-Clip bolt           | Stainless steel | Blank           | -     | 3       |         |
| 1   | 1   | 1   | 1   | 1   | 1   | 1   | 1   | 1   | 1   | HB-K Hood              | Aluminium       | Aluminium oxide | Black | 2       |         |
| 1   | 1   | 1   | 1   | 1   | 1   | 1   | 1   | 1   | 1   | HB Hood                | Aluminium       | -               | Grey  | 1       |         |
| 2-3 | 1-3 | 2-7 | 1-7 | 2-1 | 1-1 | 2-6 | 1-6 |     |     | DESCRIPTION            |                 |                 |       |         |         |
|     |     |     |     |     |     |     |     |     |     | DESCRIPTION            |                 |                 |       |         |         |
|     |     |     |     |     |     |     |     |     |     | HB.10.STS.1.16         |                 |                 |       |         |         |
|     |     |     |     |     |     |     |     |     |     | HB-K.10.STS.1.16       |                 |                 |       |         |         |
|     |     |     |     |     |     |     |     |     |     | HB.10.STS-VS.1.16      |                 |                 |       |         |         |
|     |     |     |     |     |     |     |     |     |     | HB-K.10.STS-VS.1.16    |                 |                 |       |         |         |
|     |     |     |     |     |     |     |     |     |     | HB10.STS-GR.1.16       |                 |                 |       |         |         |
|     |     |     |     |     |     |     |     |     |     | HB-K.10.STS-GR.1.16    |                 |                 |       |         |         |
|     |     |     |     |     |     |     |     |     |     | HB-Z.10.STS-ZB.1.16    |                 |                 |       |         |         |
|     |     |     |     |     |     |     |     |     |     | HB-K.Z.10.STS-ZB.1.16  |                 |                 |       |         |         |

|             |  |                              |  |                  |  |           |  |          |  |                  |  |                           |  |
|-------------|--|------------------------------|--|------------------|--|-----------|--|----------|--|------------------|--|---------------------------|--|
| DIMENSIONS: |  | TOLERANCES UNLESS SPECIFIED: |  | DWN              |  | Schneider |  | 05.12.02 |  | Tyco Electronics |  | Tyco Electronics AMP GmbH |  |
| mm          |  | mm                           |  | CWE              |  | Schweiger |  | 05.12.02 |  | NAME             |  | Hood                      |  |
| MATERIAL    |  | FINISH                       |  | PRODUCT SPEC     |  | APVD      |  | -        |  | APPLICATION SPEC |  | -                         |  |
| -           |  | -                            |  | WEIGHT           |  | -         |  | -        |  | SIZE             |  | A   00779                 |  |
| -           |  | -                            |  | CUSTOMER DRAWING |  | -         |  | -        |  | DRAWING NO       |  | C=1102259                 |  |
| -           |  | -                            |  | SCALE            |  | 1:1       |  | 1        |  | SHEET            |  | 1 OF 1                    |  |
| -           |  | -                            |  | REV              |  | A2        |  | -        |  | -                |  | -                         |  |