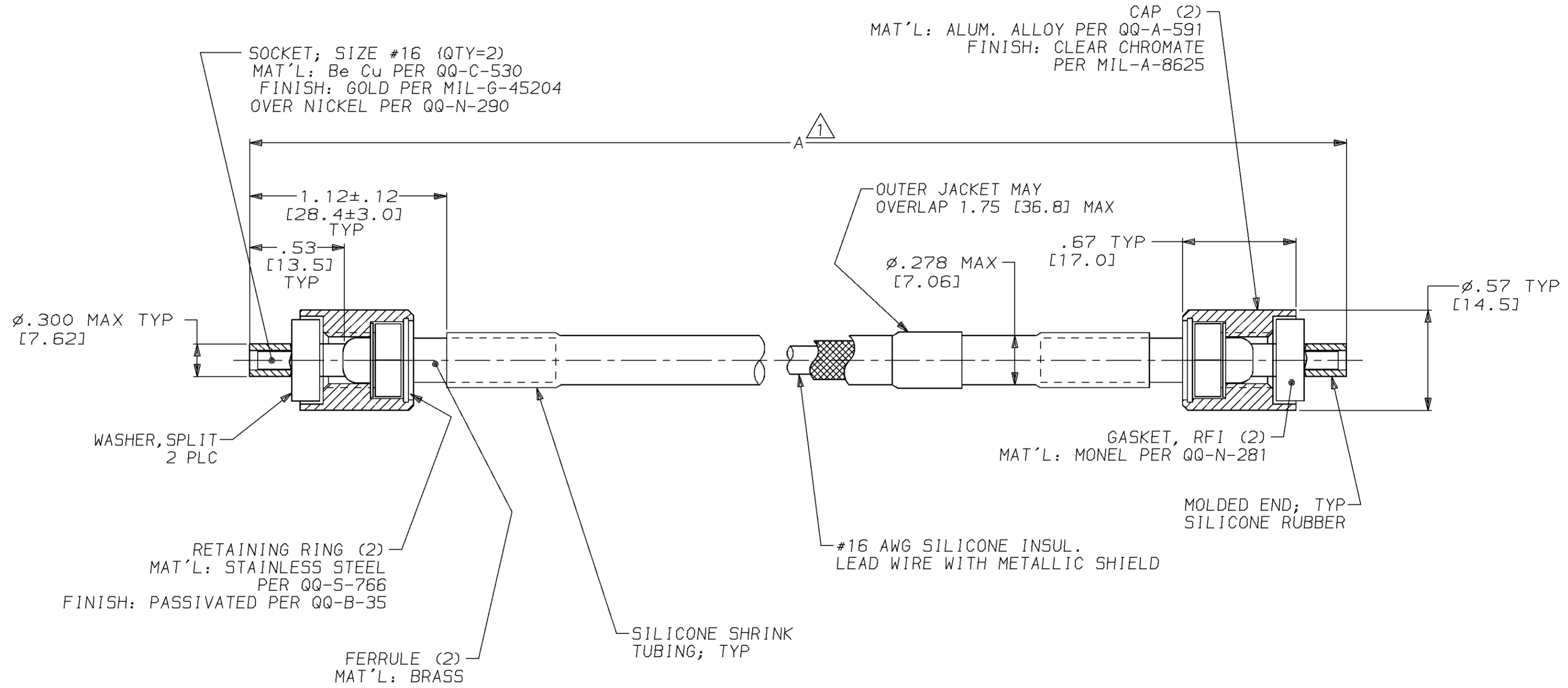


THIS DRAWING IS UNPUBLISHED. RELEASED FOR PUBLICATION, 19 .
 © COPYRIGHT 19 BY AMP INCORPORATED. ALL INTERNATIONAL RIGHTS RESERVED.

PROD CODE	LOC	DIST	P	F	ZONE	LTR	DESCRIPTION	DATE	APPD
4092	DF	50				B	REV & REDRAWN; 0600-1546-93	CT DE	6-94

PART NO.	A	
862605-1	6.50 [165.1]	OBSOLETE
862605-2	8.50 [215.9]	OBSOLETE
862605-3	15.00 [381.0]	OBSOLETE
862605-4	13.00 [330.2]	



- 1. TOLERANCE OF LEAD LENGTH:
 UP TO 24 INCHES [609.6] = ±.12 [±3.0]
 24 INCHES [609.6] & UP = ±1%
- 2. MARKED PER MIL-STD-130.
- 3. TO MATE WITH AMP LGH-1/2
 RECEPTACLE WITH .53 [13.5] BARREL DEPTH.

THIS DRAWING IS A CONTROLLED DOCUMENT FOR AMP INCORPORATED. IT IS SUBJECT TO CHANGE AND THE CONTROLLING ENGINEERING ORGANIZATION SHOULD BE CONTACTED FOR THE LATEST REVISION.

DO NOT SCALE PRINT. UNLESS SPECIFIED DIMENSIONS IN INCHES [mm] TOLERANCES ON: 2 PLC DEC ± .02 [0.5] 3 PLC DEC ± - ANGLES ± -	DR 5-25-94 C.C. THOMAS	AMP Incorporated Harrisburg, PA 17105-3608
MATERIAL SEE CALLOUTS	CHK 6-2-94 D.EABY	
FINISH SEE CALLOUTS	APPD 6-2-94 D.EABY	NAME LEAD ASSEMBLY, DBL. END, LGH-1/2, RFI SHIELDED
	APPD 6-2-94 C.C. THOMAS	SIZE C 00779
	PRODUCT SPEC -	CAGE CODE 00779
	APPLICATION SPEC -	DRAWING NO 862605
	WEIGHT -	SCALE 2:1
		SHEET 1 OF 1