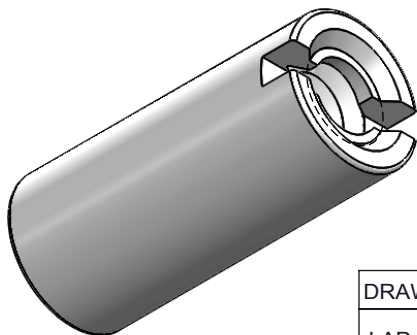
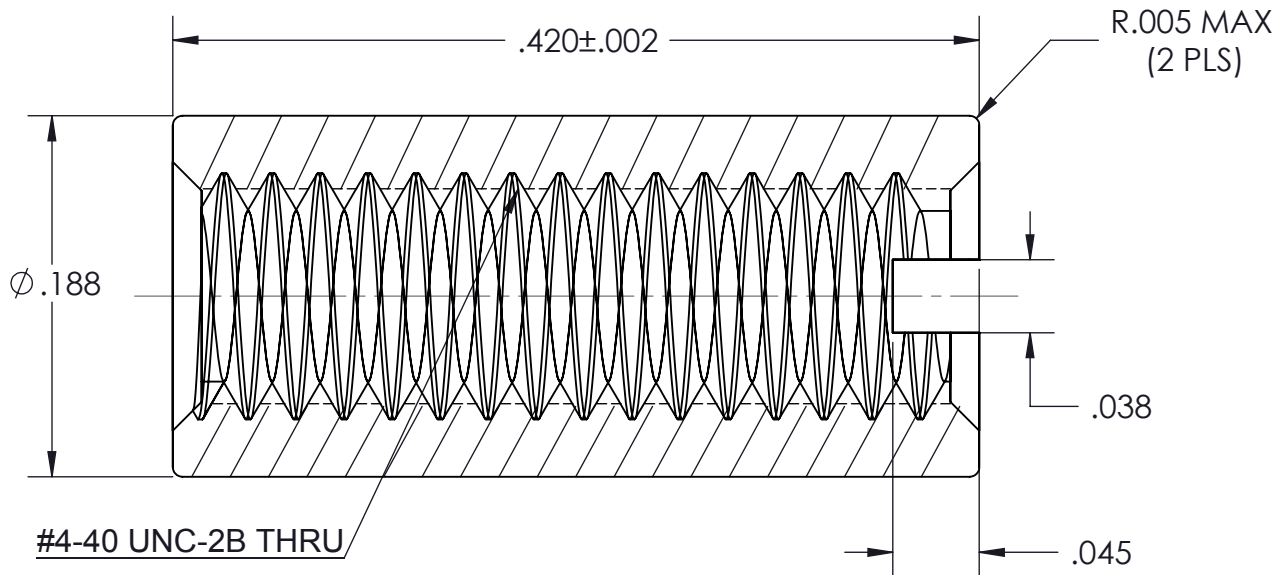


VICOR CONFIDENTIAL

THIS DOCUMENT AND THE DATA DISCLOSED HEREIN OR HEREWITH IS NOT TO BE REPRODUCED, USED OR DISCLOSED IN WHOLE OR IN PART TO ANYONE WITHOUT THE PERMISSION OF VICOR CORP.

REVISIONS				
REV	DESCRIPTION		DATE	APPROVED
1	RELEASE PER E9830074	PEI	11/13/98	JMR
2	REVISED PER E100944	KUK	07/22/10	DCS




NOTES:

1. MATERIAL: 300 SERIES STAINLESS STEEL PER AISI.
2. FINISH: CLEAR PASSIVATE PER QQ-P-35B, TYPE II.
3. REMOVE ALL BURRS AND SHARP EDGES.
4. KIT P/N 18158
5. BAG P/N 19134
6. DIMENSIONS ARE INCHES ONLY.

DRAWN	DATE
LAP NGUYEN	11/24/97

 **VICOR** SWD

MATERIAL	UNLESS OTHERWISE SPECIFIED DIMENSIONS ARE INCH [MM] TOLERANCES ARE: DECIMALS ANGLES X.XX [X.X] = ±0.01 [0.25] ±1° X.XXX [X.XX] = ±0.005 [0.127]
FINISH	
THIRD ANGLE PROJECTION	
	
DO NOT SCALE DRAWING	

**STANDOFF, 0.420 LG
FEMALE-FEMALE**

SIZE	CAGE CODE	DWG NO	REV
A	67131	18115	2
SCALE 10 : 1		SHEET 1 OF 1	