

THIS DRAWING IS UNPUBLISHED. RELEASED FOR PUBLICATION
 © COPYRIGHT BY TYCO ELECTRONICS CORPORATION. ALL INTERNATIONAL RIGHTS RESERVED.

LOC	DIST	REVISIONS					
FT	0	P	LTR	DESCRIPTION	DATE	DWN	APVD
			E1	REVISED PER ECO-10-009056	09AUG10	HMR	CR

NOTES:

PHYSICAL PROPERTIES:
 HOUSING MATERIAL: THERMOPLASTIC, PC
 FLAMABILITY: UL94V-0
 COLOR: BLACK

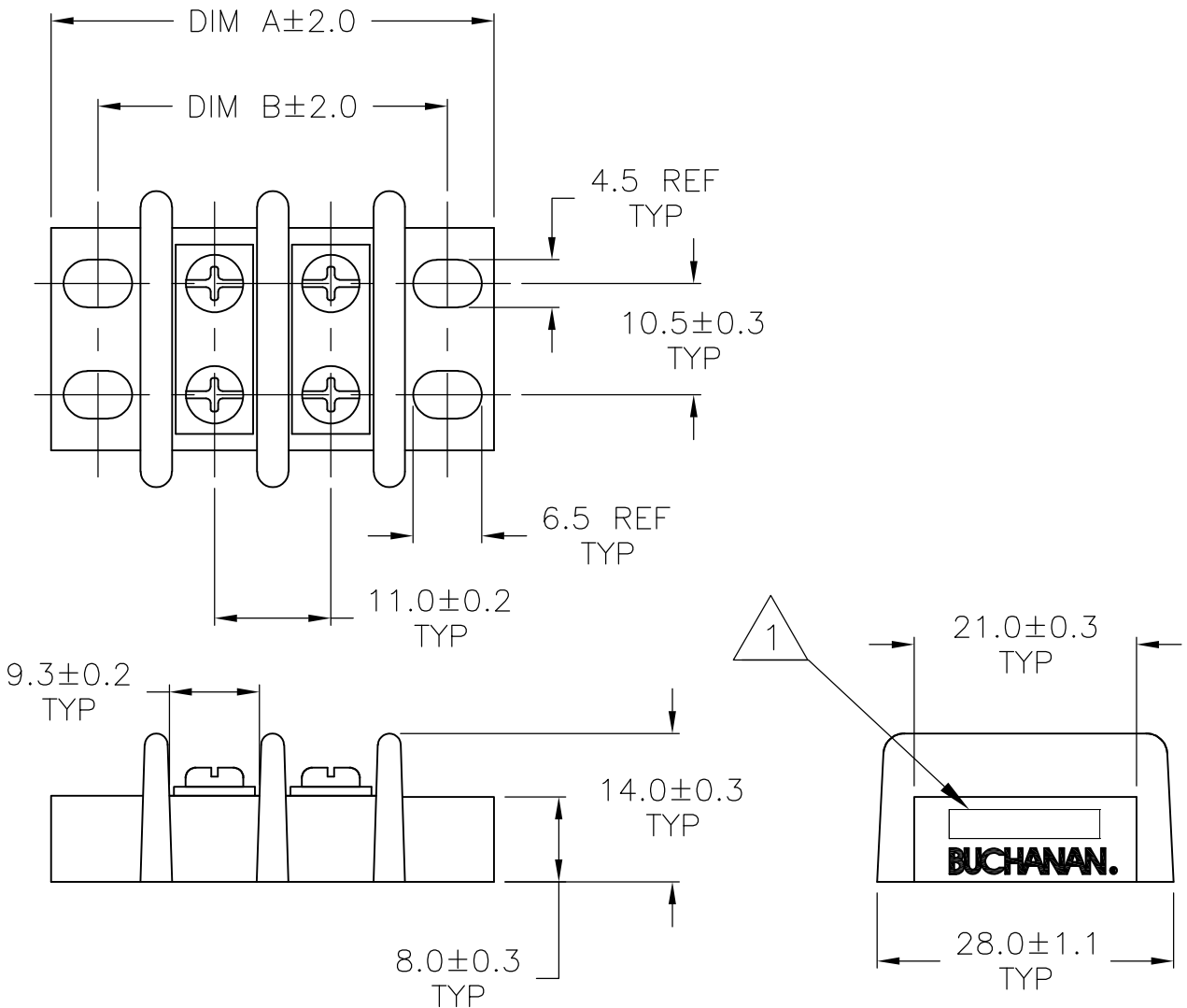
TERMINAL:
 TERMINALS: BRASS, TIN PLATED
 SCREWS: 6-32 STEEL, NICKEL PLATED

MECHANICAL:
 PITCH: 11.0mm(.433)
 WIRE RANGE: 14-22 AWG
 RECOMMENDED TIGHTENING TORQUE: 12IN-LB

ELECTRICAL PROPERTIES:
 MAX CURRENT: 25A
 OPERATING VOLTAGE: 300V

ENVIRONMENTAL PROPERTIES:
 OPERATING TEMP: -40°C TO 120°C

1 TE LOGO LOCATED APPROXIMATE AREA.



296.1	304.9	26	2-1546481-6
285.1	293.9	25	2-1546481-5
274.1	282.9	24	2-1546481-4
263.1	271.9	23	2-1546481-3
252.1	260.9	22	2-1546481-2
241.1	249.9	21	2-1546481-1
230.1	238.9	20	2-1546481-0
219.1	227.9	19	1-1546481-9
208.1	216.9	18	1-1546481-8
197.1	205.9	17	1-1546481-7
186.1	194.9	16	1-1546481-6
175.1	183.9	15	1-1546481-5
164.1	172.9	14	1-1546481-4
153.1	161.9	13	1-1546481-3
142.1	150.9	12	1-1546481-2
131.1	139.9	11	1-1546481-1
120.1	128.9	10	1-1546481-0
109.1	117.9	09	1546481-9
98.1	106.9	08	1546481-8
87.1	95.9	07	1546481-7
76.1	84.9	06	1546481-6
65.1	73.9	05	1546481-5
54.1	62.9	04	1546481-4
43.1	51.9	03	1546481-3
32.1	40.9	02	1546481-2
DIM B	DIM A	NO OF POS	TE NUMBER

THIS DRAWING IS A CONTROLLED DOCUMENT.		DWN S SCHEGEL 22JAN03	Tyco Electronics Corporation Harrisburg, PA 17105-3608	
DIMENSIONS: mm		CHK C RICHARD 1/22/03	NAME DOUBLE ROW BARRIER STRIP W/O WASHER 11.0mm(.433) SPACING	
TOLERANCES UNLESS OTHERWISE SPECIFIED:		APVD C RICHARD 1/22/03	PRODUCT SPEC -	
0 PLC ± - 1 PLC ± 0.3 2 PLC ± 0.25 3 PLC ± - 4 PLC ± - ANGLES ± 2°		APPLICATION SPEC -		
MATERIAL -	FINISH -	WEIGHT -	SIZE A3	CAGE CODE 00779
		DRAWING NO G-1546481		RESTRICTED TO -
CUSTOMER DRAWING		SCALE 1:1	SHEET 1 OF 1	REV E1