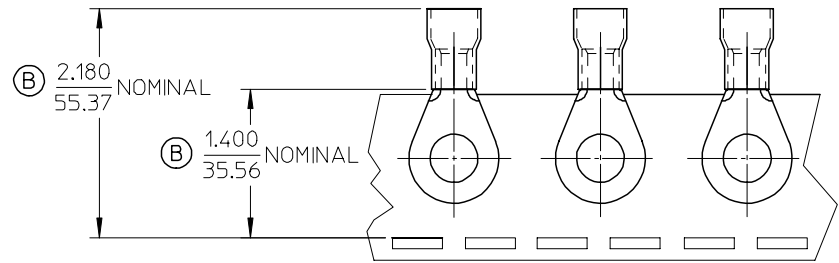
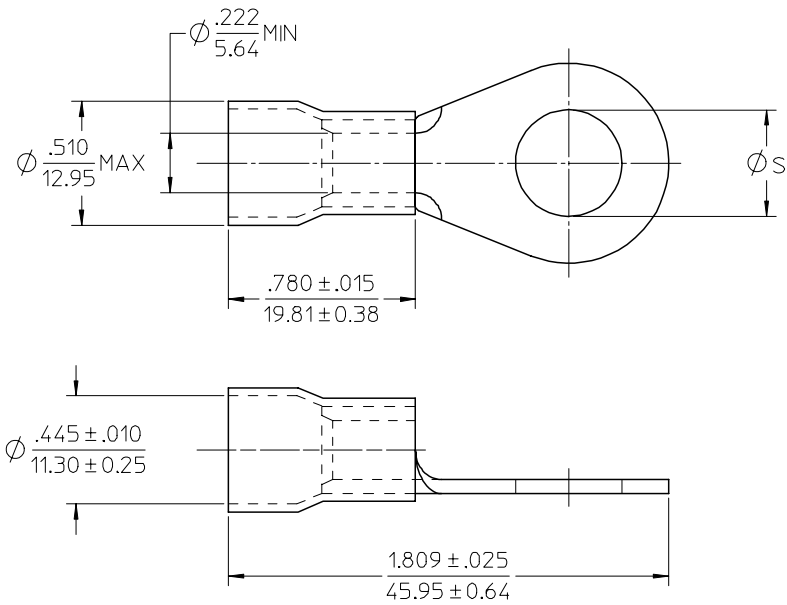


10	9	8	7	6	5	4	3	2	1
MATERIAL NO.	ENG. NO.	STUD SIZE	$\phi S \pm .003$	TERMINAL MATL NO.	TERMINAL ENGINEERING NO.	INSULATION MATL NO.	INSULATION ENGINEERING NO.		
190710205	E-658-38XT	3/8	.390	191930230	E-358-38	191610509	19161-0509		
190710464	E-658-12XT	1/2	.515	191930226	E-358-12	191610509	19161-0509	(B)	



SALES DRAWING

NOTE:
1. ALL PARTS ARE RoHS COMPLIANT

REVISED TAPE LOCATION EC NO: ETC2007-0208 DRW: JHLE 2006/11/22 CHKD: JMACNEIL 2006/12/11 APPR: JMACNEIL 2006/12/28	QUALITY SYMBOLS	GENERAL TOLERANCES (UNLESS SPECIFIED)		DIMENSION STYLE IN/MM		SCALE 4:1	DESIGN UNITS INCH	THIRD ANGLE PROJECTION
	$\nabla=0$	mm	INCH	DRAWN BY JLOMASTRO	DATE 06/10/11	TITLE RING TONGUE TERMINAL INSULKRIMP 658 SERIES 6 AWG		
	$\nabla=0$	4 PLACES \pm ----	\pm ----	CHECKED BY JMACNEIL	DATE 06/10/11	APPROVED BY JMACNEIL		
	REV	3 PLACES \pm ----	\pm ----	DATE 06/10/11	DATE 06/10/11	MATERIAL NO. SEE CHART		
		2 PLACES \pm ----	\pm ----			DOCUMENT NO. SD-19071-016		
		1 PLACE \pm ----	\pm ----			SHEET NO. 1 OF 1		
		ANGULAR \pm ----		DRAFT WHERE APPLICABLE MUST REMAIN WITHIN DIMENSIONS		THIS DRAWING CONTAINS INFORMATION THAT IS PROPRIETARY TO MOLEX INCORPORATED AND SHOULD NOT BE USED WITHOUT WRITTEN PERMISSION		