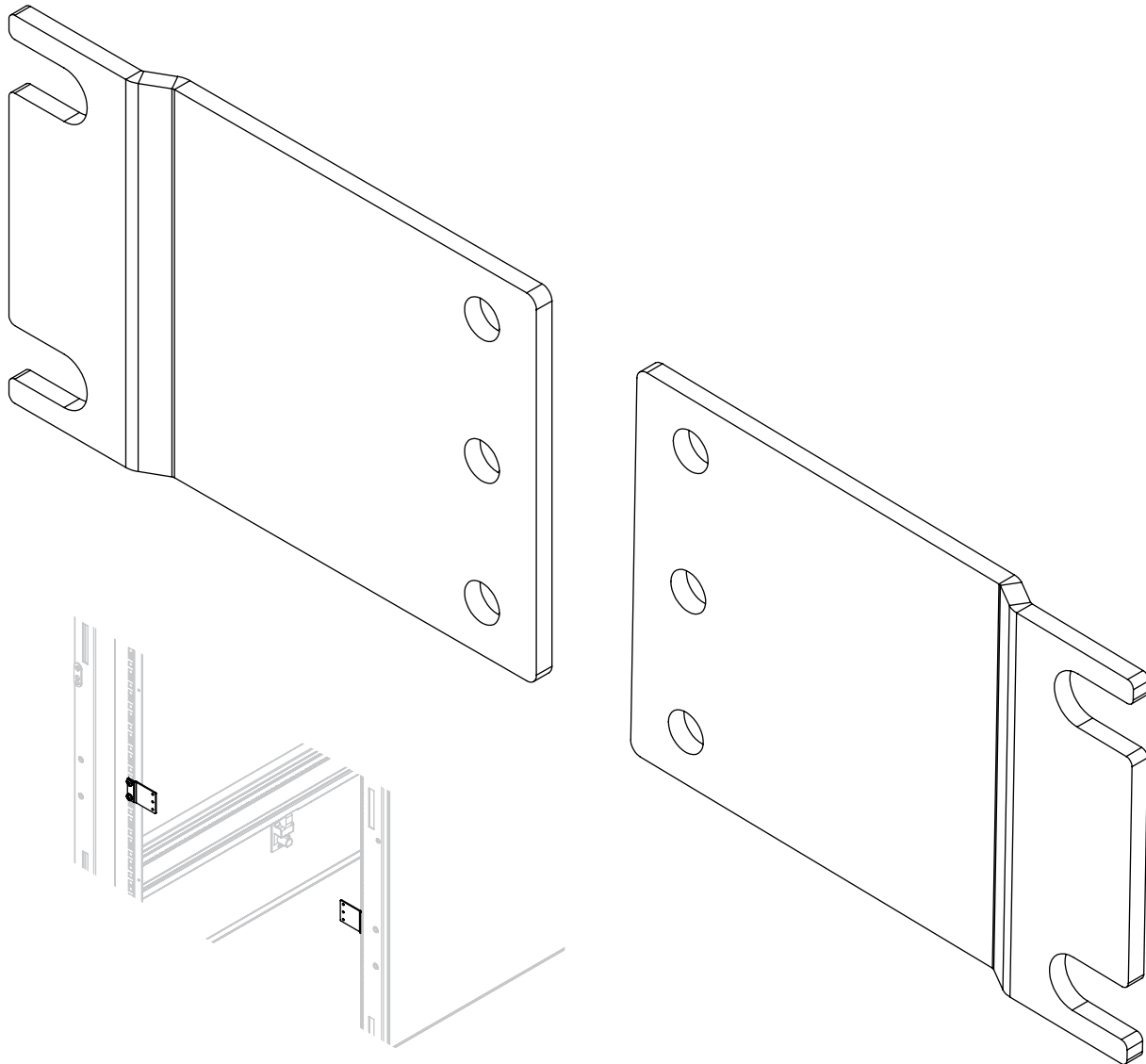


MODEL:

SR2319ADAPT

23" to 19" Rack Mounting Adapter Kit

SR2319ADAPT allows you to mount 19-inch rack equipment in a 23-inch rack. It has a maximum load capacity of 20 lb. (9 kg) and includes mounting hardware.



Specifications

Model	SR2319ADAPT
Material of Construction	Cold Rolled Steel
Unit Dimensions (H x W x D)	1.71 x 2.60 x .16 in. (43.4 x 66.1 x 4 mm)
Shipping Dimensions (H x W x D)	1.18 x 3.15 x 1.77 in. (30 x 80 x 45 mm)
Unit Weight	0.71 lb. (.32 kg)
Shipping Weight	1.71 lb. (0.78 kg)
Standards	Meets RoHS and GOST standards

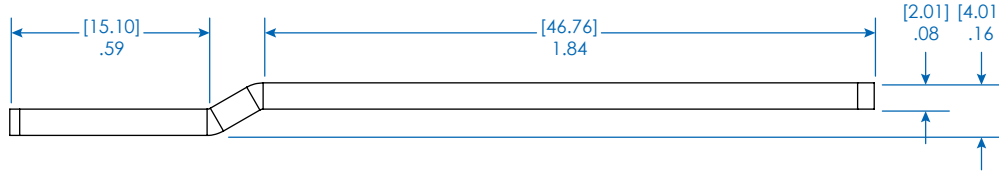
Tripp Lite has a policy of continuous improvement. Specifications are subject to change without notice.



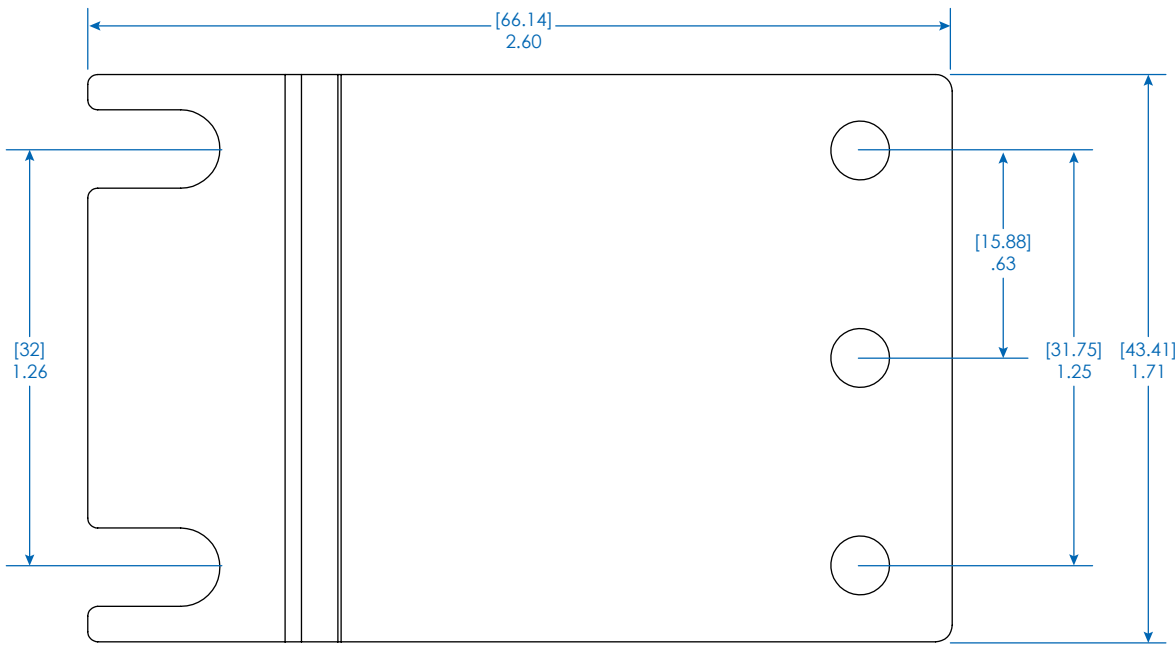
SEE NEXT PAGE FOR DETAILED UNIT MEASUREMENTS



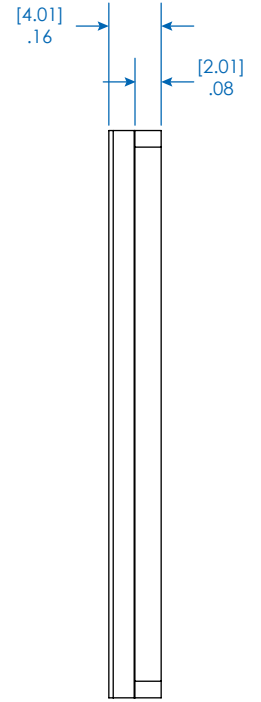
1111 W. 35th Street
Chicago, IL 60609 USA
773.869.1234
www.tripplite.com



TOP VIEW



FRONT VIEW



SIDE VIEW

Dimensions: [mm] INCHES

Tripp Lite has a policy of continuous improvement. Specifications are subject to change without notice.

MODEL:
SR2319ADAPT



1111 W. 35th Street
Chicago, IL 60609 USA
773.869.1234

www.tripplite.com