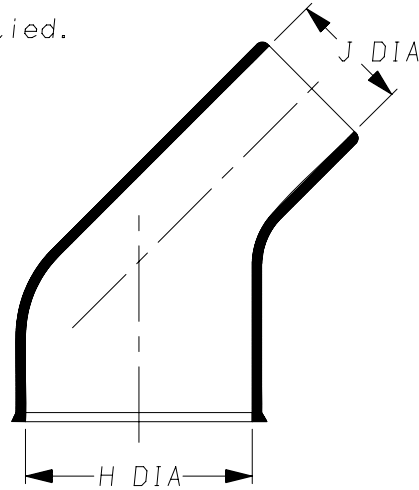
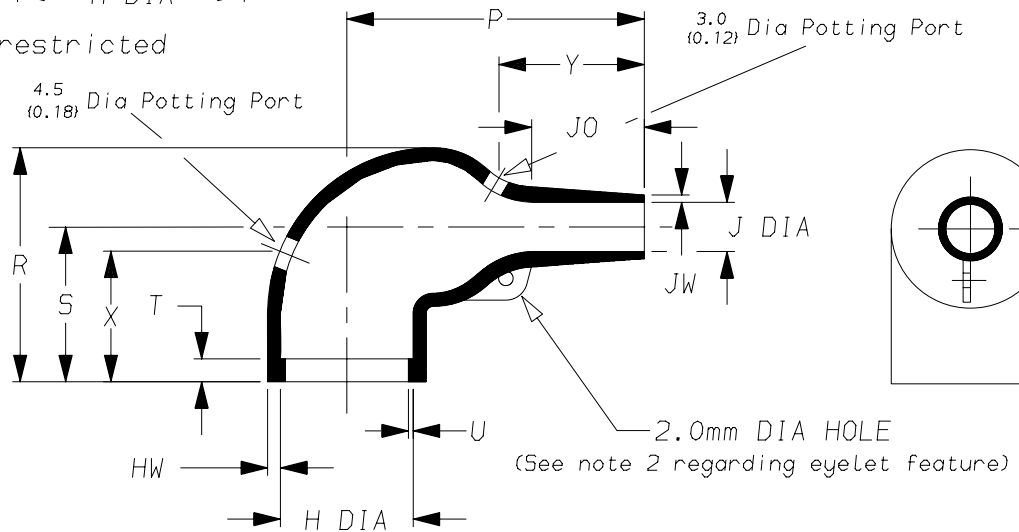


a) Part as supplied.

222K1\*\* -12



b) Part after unrestricted recovery.



**DIMENSIONS** in millimetres  
(in inches, for reference)

Part No.	H		J		P	R	S	T	U	J0	HW	JW	X	Y
	Min a	Max b	Min a	Max b	±10% b	±10% b	±10% b	±10% b	±10% b	±10% b	±20% b	±20% b	±20% b	±20% b
222K121	24 (0.94)	10.4 (0.41)	14 (0.55)	5.6 (0.22)	25 (0.98)	25 (0.98)	19 (0.75)	3.0 (0.12)	1.0 (0.04)	8.5 (0.33)	1.3 (0.05)	0.5 (0.02)	18 (0.71)	16 (0.63)
222K132	30 (1.18)	14.2 (0.56)	15 (0.59)	5.9 (0.23)	32 (1.26)	27 (1.06)	20 (0.79)	3.0 (0.12)	1.0 (0.04)	8.5 (0.33)	1.5 (0.06)	0.8 (0.03)	18 (0.71)	20 (0.79)
222K142	31 (1.22)	18.0 (0.71)	18 (0.71)	7.1 (0.28)	39 (1.54)	31 (1.22)	21 (0.83)	3.0 (0.12)	1.0 (0.04)	15.0 (0.59)	1.8 (0.07)	1.0 (0.04)	18 (0.71)	20 (0.79)
222K152	36 (1.42)	22.4 (0.88)	21 (0.83)	8.4 (0.33)	46 (1.81)	38 (1.50)	26 (1.02)	3.0 (0.12)	1.0 (0.04)	16.0 (0.63)	1.8 (0.07)	1.0 (0.04)	25 (0.98)	25 (0.98)
222K163	43 (1.69)	28.2 (1.11)	25 (0.98)	9.9 (0.39)	55 (2.17)	45 (1.77)	30 (1.18)	3.0 (0.12)	1.7 (0.07)	17.5 (0.69)	2.0 (0.08)	1.0 (0.04)	25 (0.98)	30 (1.18)
222K174	60 (2.36)	35.1 (1.38)	39 (1.54)	15.7 (0.62)	80 (3.15)	54 (2.13)	35 (1.38)	3.0 (0.12)	1.7 (0.07)	32.0 (1.26)	3.3 (0.13)	1.5 (0.06)	25 (0.98)	45 (1.77)
222K185	66 (2.60)	44.5 (1.75)	42 (1.65)	16.8 (0.66)	108 (4.25)	68 (2.68)	42 (1.65)	3.0 (0.12)	2.0 (0.08)	48.0 (1.89)	3.8 (0.15)	2.0 (0.08)	35 (1.38)	70 (2.76)

Copyright (!)

The copyright in this drawing is the property of Tyco Electronics UK Ltd. The drawing is issued on the condition that it is not copied, reproduced or disclosed to a third party, either in whole or in part without the prior written consent of Tyco Electronics UK Ltd.

Drawn A.LILLEY. Checked

Issue 10

Date March 2008

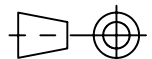
Conforms to ISO Recommendations

Approval  
Design

MKTG.

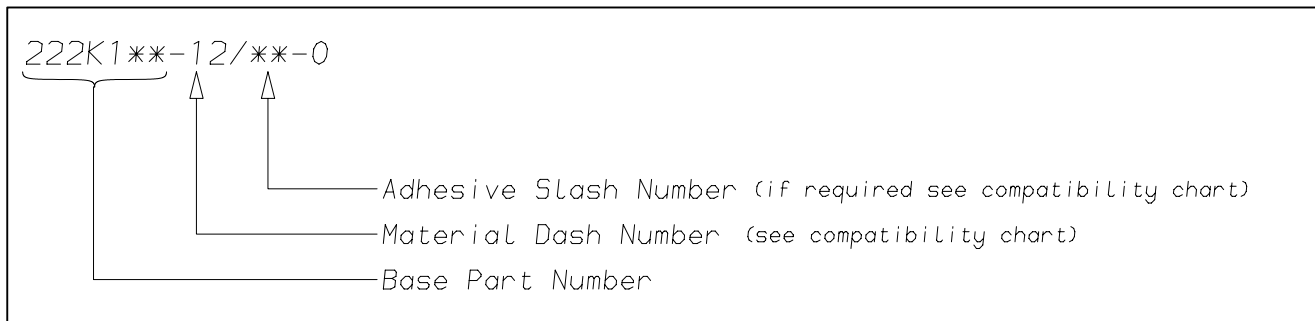
Tech.

3rd Angle Projection  
Not to Scale



<b>Raychem</b>		<b>Specification Control Drawing</b>	Part Number <b>222K1**-12</b> Issue 10
Iss.	Date	E.C.R. No.	Details of Change
8	September 1990	H0004	222K174 Ha was 52
9	October 2006	CR06-HM-011	Eyelet note added to page 1
9	October 2006	CR06-DM-104	Material description name changed
10	March 2008	CR08-HM-008	222K185 was typed as 202K185

## (Ordering Information)



## (COMPATIBILITY CHART)

Material Dash Number	Material Description	SPEC Number	Coating Slash Number
-12	FLUOROELASTOMER, FLEXIBLE	RT-1312,	/225

### NOTES

- ① Potting Ports are optional, when specified by suffix "-00" they will be located as shown.
- ② If eyelet feature is required, add CS-1863 to description:-  
222K132-12-CS-1836-0  
If eyelet feature and clip is required, add CS-1858 to description:-  
222K132-12-CS-1858-0
- ③ As supplied dimensions are for uncoated parts, when coating is added entry diameters will reduce by 1.5mm Max.

Tyco Electronics UK Ltd. Faraday Road, Swindon, Wiltshire, SN3 5HH England Telephone: (01793) 528171 Fax: 572516	Tyco Electronics Corporation 300, Constitution Drive, Menlo Park, CA 94025 USA Telephone (650) 361-3860 Fax: (650) 361-5579
Cage Code K1010	Cage Code 06090