

THIS DRAWING IS UNPUBLISHED.

RELEASED FOR PUBLICATION

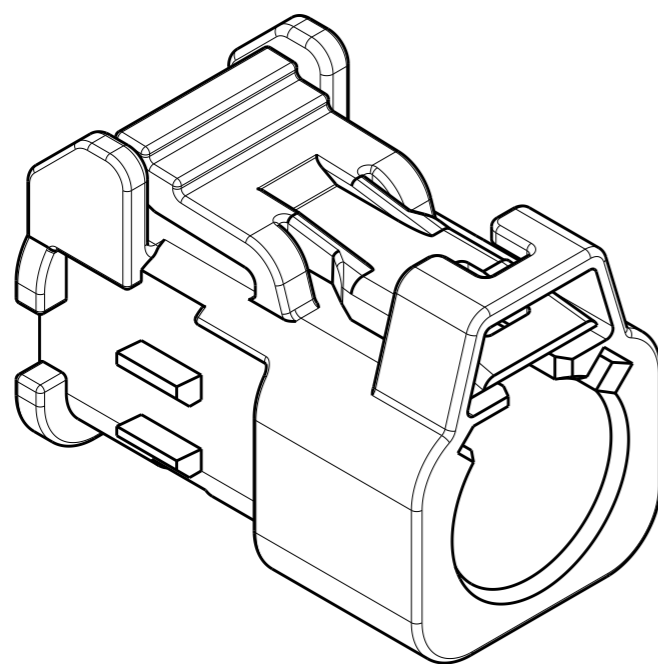
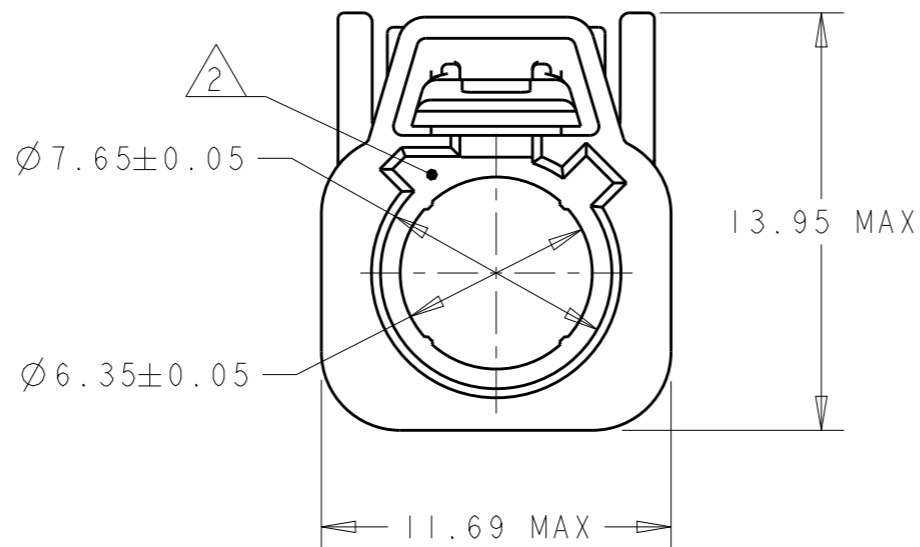
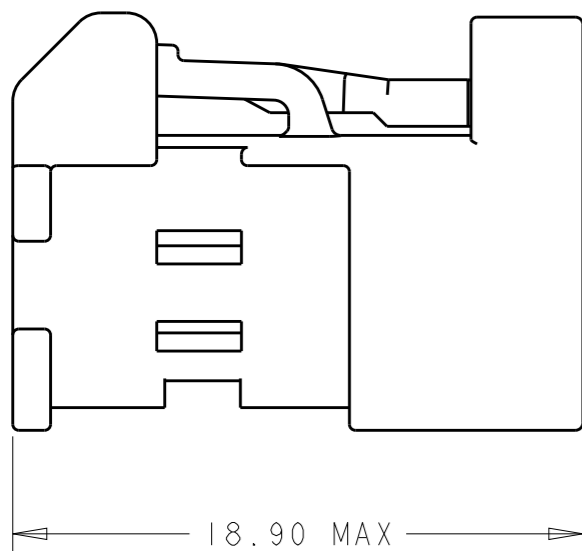
20

© COPYRIGHT 20 BY - ALL RIGHTS RESERVED.

REVISIONS

P	LTR	DESCRIPTION	DATE	DWN	APVD
	A1	REVISED PER ECO-15-018523	29DEC2015	DD	LV
	A2	REVISED PER ECO-16-005357	06APR2016	DD	LV

- 1 POLYESTER PBT, COLOR: SEE TABLE.
- 2 PLUG HOUSING ACCEPTS JACK HOUSINGS MEETING DIN 72594-1, ROAD VEHICLES - RADIO FREQUENCY INTERFACE - DIMENSIONS AND ELECTRICAL REQUIREMENTS.
- 3. SEE INSTRUCTION SHEET 408-10028.



ISOMETRIC VIEW

PER DETAIL B	B	SIGNAL WHITE	2138710-2
PER DETAIL A	A	JET BLACK	2138710-1
KEYING	CODING REF	HOUSING COLOR	PART NUMBER.

THIS DRAWING IS A CONTROLLED DOCUMENT.		DWN K. PETERSON 28SEP2011			
DIMENSIONS: mm		CHK L. VARSIK 28SEP2011			
		APVD L. VARSIK 28SEP2011			
TOLERANCES UNLESS OTHERWISE SPECIFIED:		PRODUCT SPEC	NAME PLUG HOUSING, 1 POSITION, FAKRA, SMB		
0 PLC ±- 1 PLC ±- 2 PLC ±- 3 PLC ±- 4 PLC ±- ANGLES ±-		APPLICATION SPEC 114-13157	SIZE A3	CAGE CODE 00779	DRAWING NO C-2138710
MATERIAL - 1		WEIGHT -	RESTRICTED TO -		
FINISH -		CUSTOMER DRAWING	SCALE 4:1	SHEET 1 OF 2	REV A2

THIS DRAWING IS UNPUBLISHED.

RELEASED FOR PUBLICATION

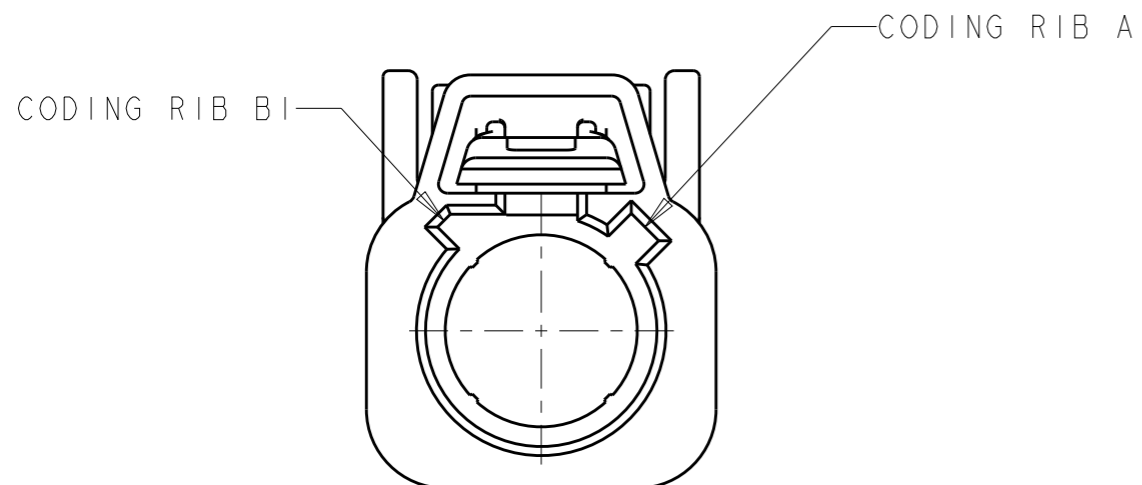
20

© COPYRIGHT 20 BY -

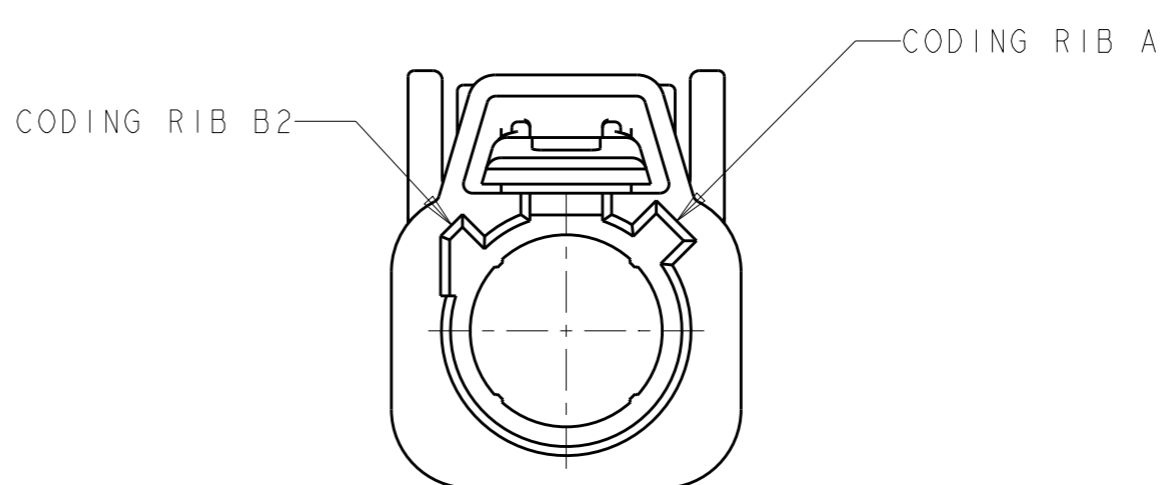
ALL RIGHTS RESERVED.

REVISIONS

P	LTR	DESCRIPTION	DATE	DWN	APVD
-		SEE SHEET 1	-	-	-



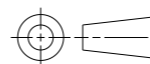
DETAIL A



DETAIL B

THIS DRAWING IS A CONTROLLED DOCUMENT.

DIMENSIONS:
mm



TOLERANCES UNLESS OTHERWISE SPECIFIED:

- 0 PLC ±-
- 1 PLC ±-
- 2 PLC ±-
- 3 PLC ±-
- 4 PLC ±-
- ANGLES ±-

MATERIAL

-

FINISH

-

DWN 28SEP2011

K. PETERSON

CHK 28SEP2011

L. VARSIK

APVD 28SEP2011

L. VARSIK

PRODUCT SPEC

-

APPLICATION SPEC

114-13157

WEIGHT

-

CUSTOMER DRAWING



TE Connectivity

NAME
PLUG HOUSING, 1 POSITION,
FAKRA, SMB

SIZE CAGE CODE DRAWING NO RESTRICTED TO

A3 00779 C-2138710

SCALE 4:1 SHEET 2 OF 2 REV A2