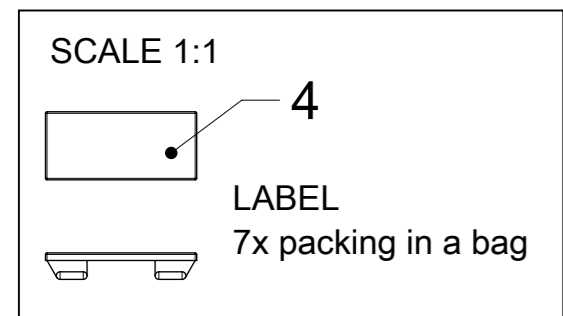


TABLE 1

MOLEX P/N	ENG. NO.	LED
1202480086	BTB603P-FBA	YES

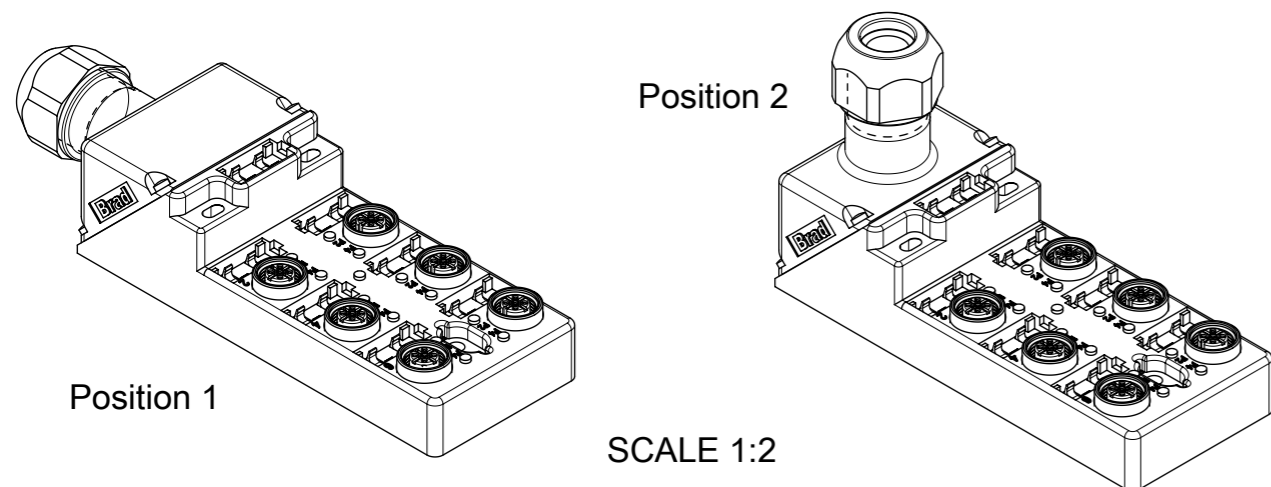
TABLE 2 BILL OF MATERIAL

ITEM	DESCRIPTION	MATERIAL	FINISH
1	CONTACT	BRONZE	GOLD OVER NICKEL
2	O-RING	FPM	RED
3	SHELL	BRASS	NICKEL PLATED
4	LABEL	ABS	WHITE
5	HOUSING	PBT	BLACK
6	LED	PA	TRANSPARENT
7	O-RING	NBR	BLACK
8	CLAMPBOX	PBT	BLACK
9	NUT	PA	BLACK
10	GASKET	NBR	BLACK

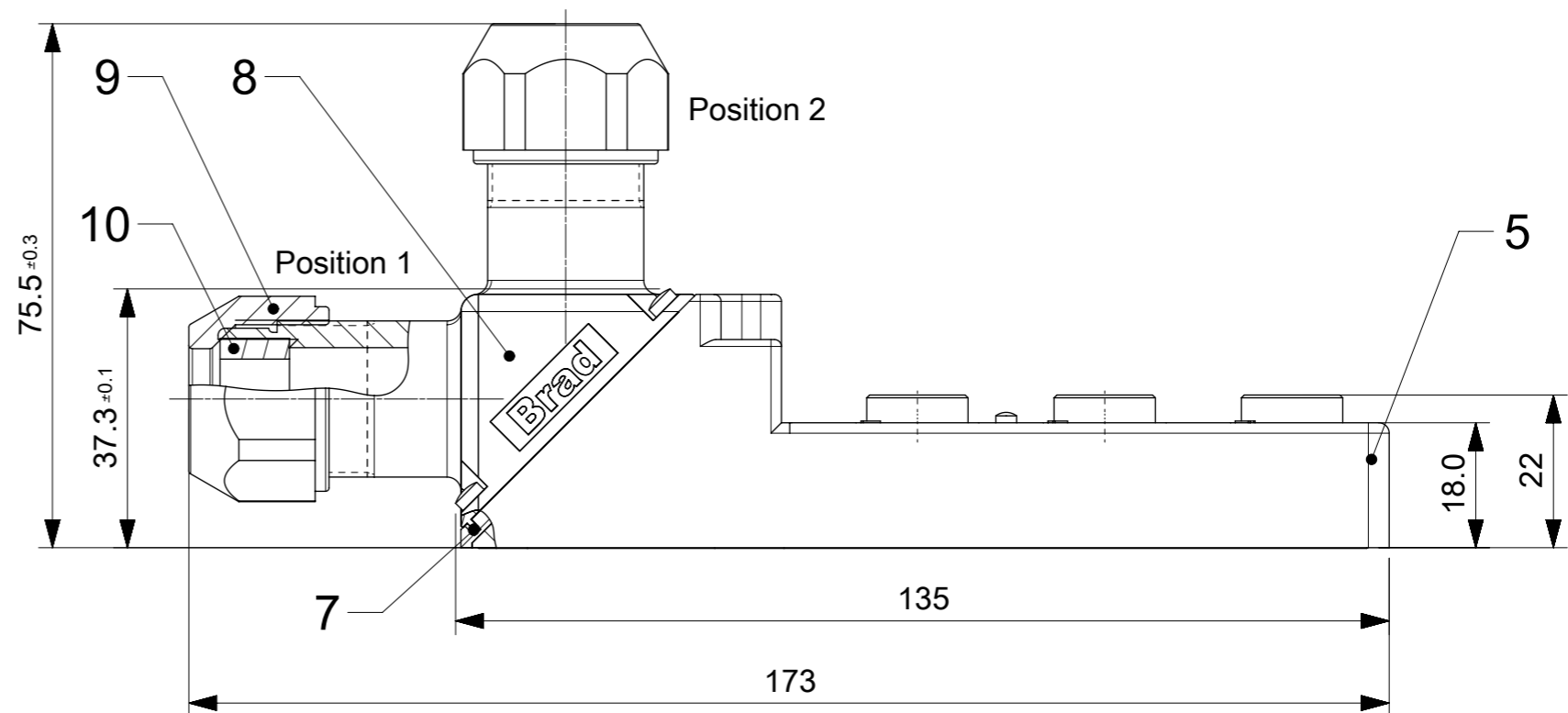
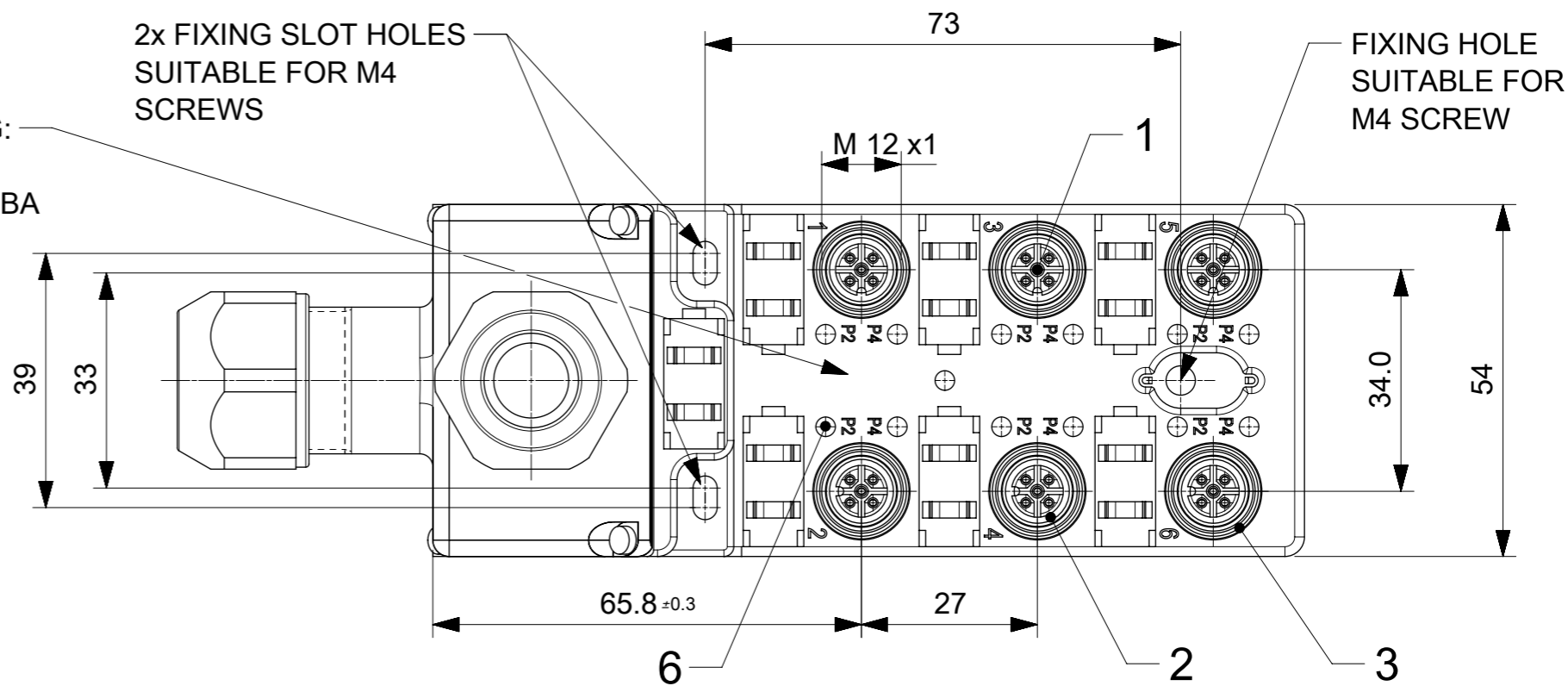


GENERAL CHARACTERISTICS:

NOMINAL VOLTAGE: 10-30 V DC
 AMPERE RATING: 4 A PER PORT / 12 A MAX
 IP DEGREE OF PROTECTION: IP 67
 TEMPERATURE RANGE: -25°C to + 90°C

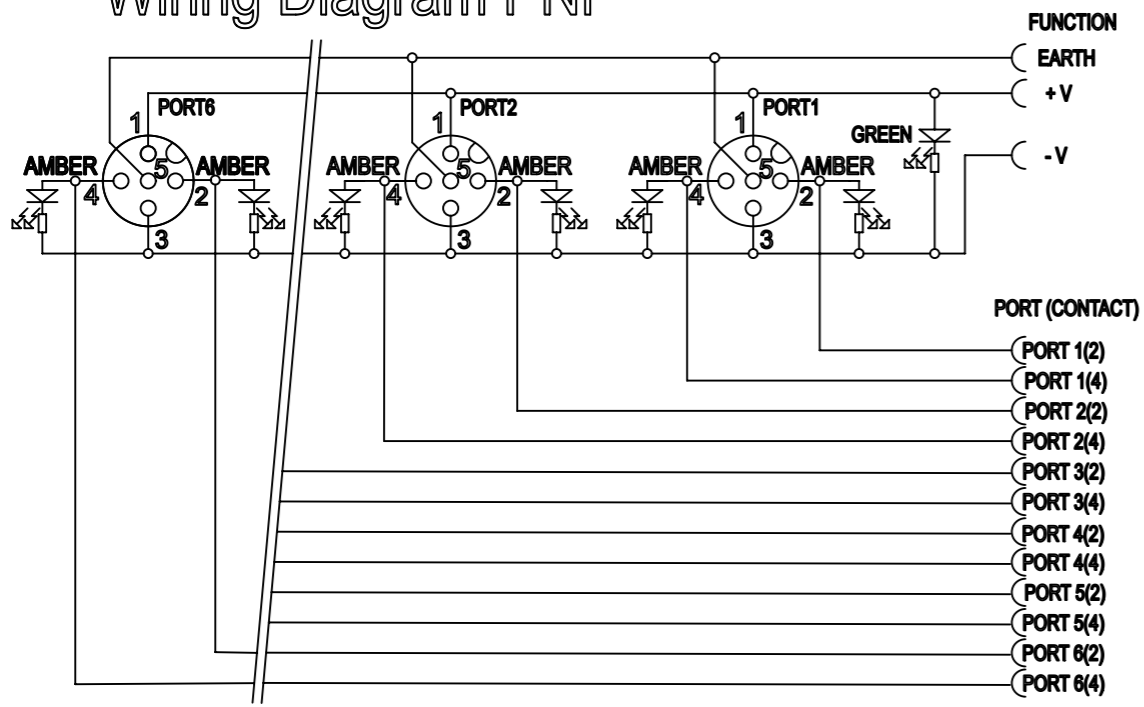


LASER PRINTING:
 PN: 120248XXXX
 ENG.: BTB603X-FBA
 PO: XXXXXXXXXX



SYMBOLS	THIS DRAWING CONTAINS INFORMATION THAT IS PROPRIETARY TO MOLEX ELECTRONIC TECHNOLOGIES, LLC AND SHOULD NOT BE USED WITHOUT WRITTEN PERMISSION	CURRENT REV DESC: LASER PRINTING ADDED		molex		
	DIMENSION UNITS	SCALE				
▽ = 0	mm			PRODUCT CUSTOMER DRAWING		
▽ = 0	GENERAL TOLERANCES (UNLESS SPECIFIED)			DOCUMENT NUMBER		
▽ = 0	ANGULAR TOL ± °			1202480086		
▽ = 0	4 PLACES ±			DOC TYPE DOC PART REVISION		
▽ = 0	3 PLACES ±			PSD 000 A3		
▽ = 0	2 PLACES ±			MATERIAL NUMBER		
▽ = 0	1 PLACE ± 0.2			CUSTOMER		
▽ = 0	0 PLACES ± 0.3			SEE TABLE 1		
□ = 0	DRAFT WHERE APPLICABLE MUST REMAIN WITHIN DIMENSIONS	THIRD ANGLE PROJECTION	DRAWING	SERIES	MATERIAL NUMBER	SHEET NUMBER
▽ = 0			A3-SIZE	120248	GENERAL MARKET	1 OF 2

Wiring Diagram PNP

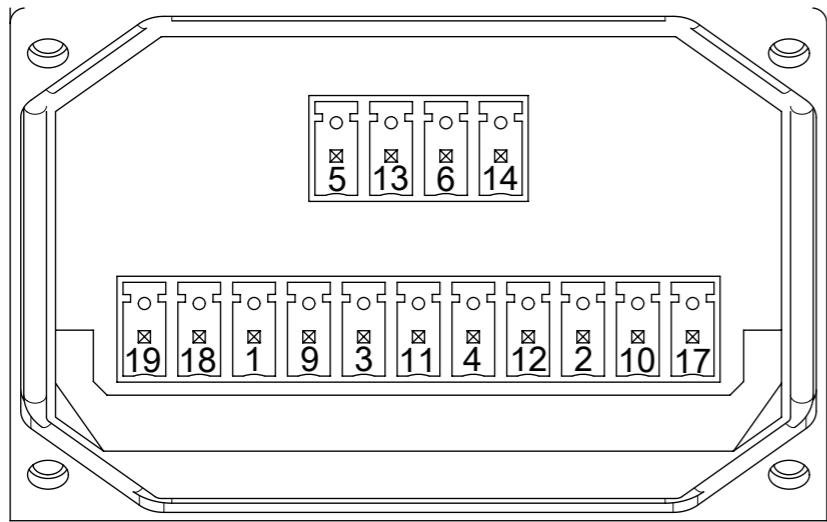
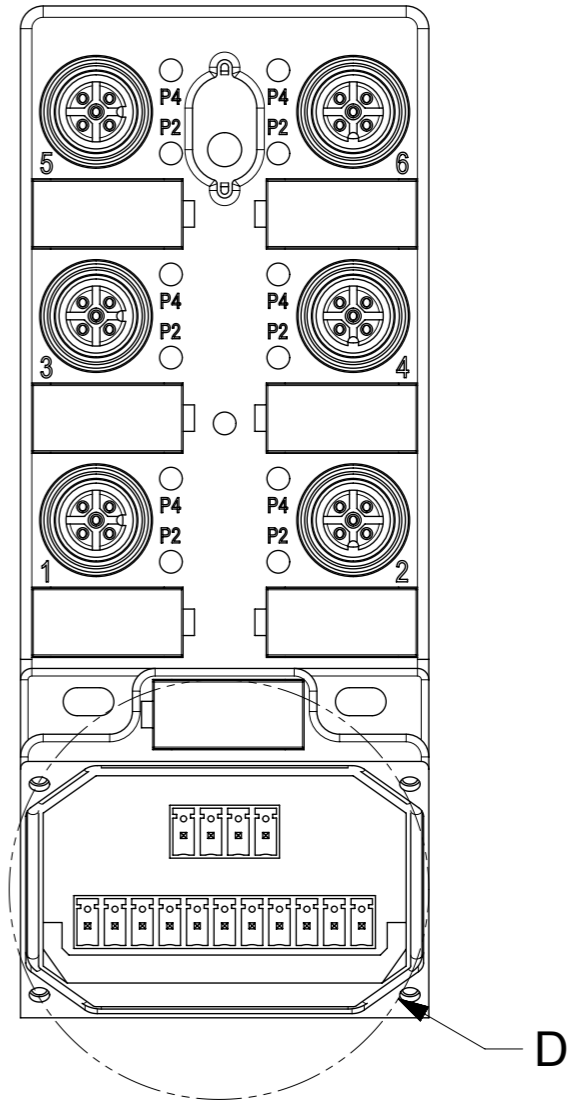


TERMINAL BLOCK NUMBER

- PIN19
- PIN17
- PIN18

TERMINAL BLOCK NUMBER

- PIN 9
- PIN 1
- PIN 10
- PIN 2
- PIN 11
- PIN 3
- PIN 12
- PIN 4
- PIN 13
- PIN 5
- PIN 14
- PIN 6



DETAIL D
SCALE 2:1

SYMBOLS		THIS DRAWING CONTAINS INFORMATION THAT IS PROPRIETARY TO MOLEX ELECTRONIC TECHNOLOGIES, LLC AND SHOULD NOT BE USED WITHOUT WRITTEN PERMISSION	
DIMENSION UNITS	SCALE	CURRENT REV DESC: LASER PRINTING ADDED	
▽ = 0	mm	<p>molex</p> <p>MPIS M12 FA PNP 5P 6PT AC FE</p> <p>PRODUCT CUSTOMER DRAWING</p>	
▽ = 0	GENERAL TOLERANCES (UNLESS SPECIFIED)		
▽ = 0	ANGULAR TOL ± °		
▽ = 0	4 PLACES ±		
▽ = 0	3 PLACES ±	EC NO: 172073	2018/01/31
▽ = 0	2 PLACES ±	DRWN: BBRAUCH	2018/02/08
▽ = 0	1 PLACE ± 0.2	CHK'D: ULETTENMEIER	2018/02/09
▽ = 0	0 PLACES ± 0.3	APPR: RSILLER	
☒ = 0	DRAFT WHERE APPLICABLE MUST REMAIN WITHIN DIMENSIONS	<p>INITIAL REVISION:</p> <p>DRWN: AAHLERS 2015/04/08</p> <p>APPR: JALEXANDER 2015/05/28</p>	
▽ = 0	THIRD ANGLE PROJECTION	DRAWING	SERIES
		A3-SIZE	120248
		MATERIAL NUMBER	CUSTOMER
		SEE TABLE 1	GENERAL MARKET
		DOCUMENT NUMBER	DOC TYPE DOC PART REVISION
		1202480086	PSD 000 A3
		SHEET NUMBER	
			2 OF 2