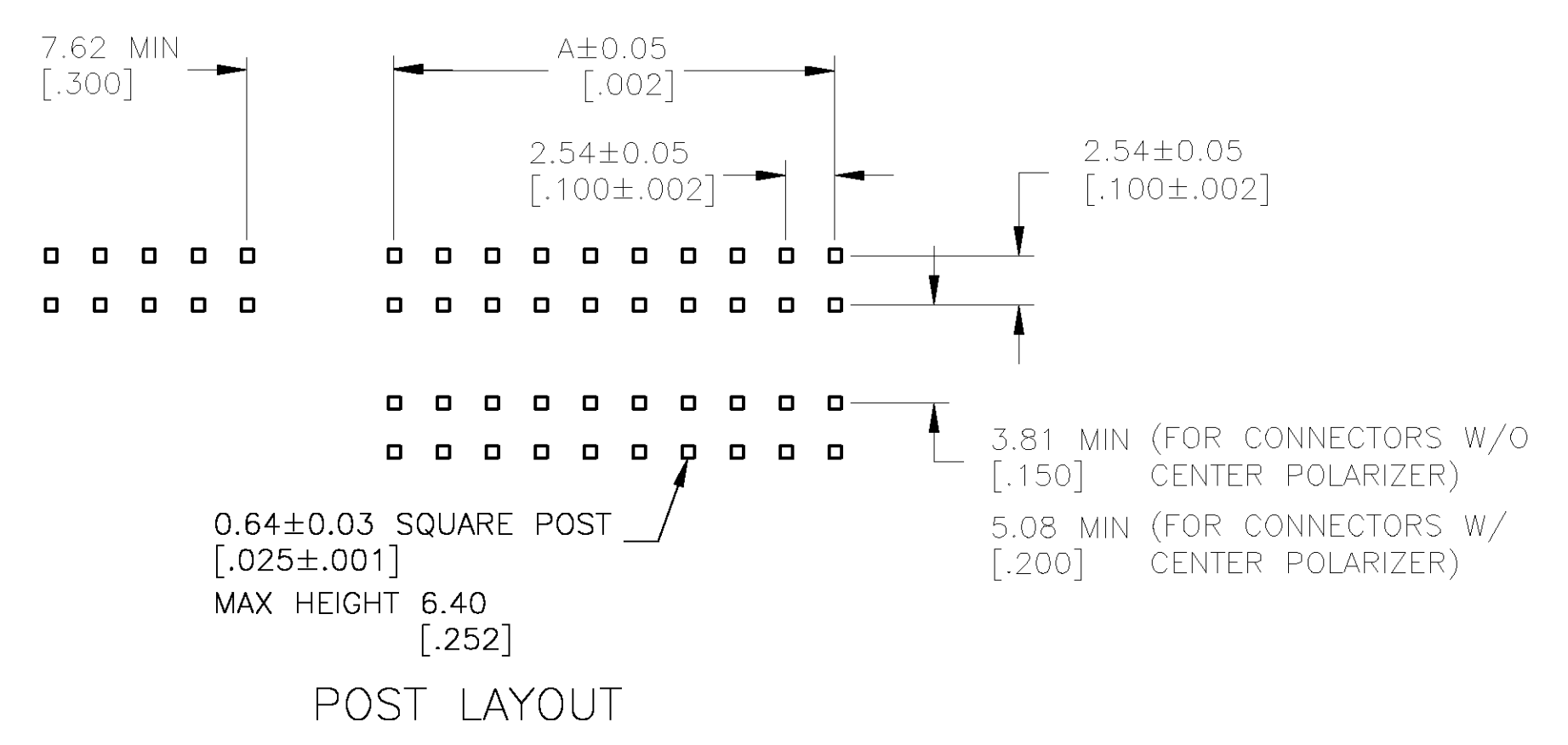
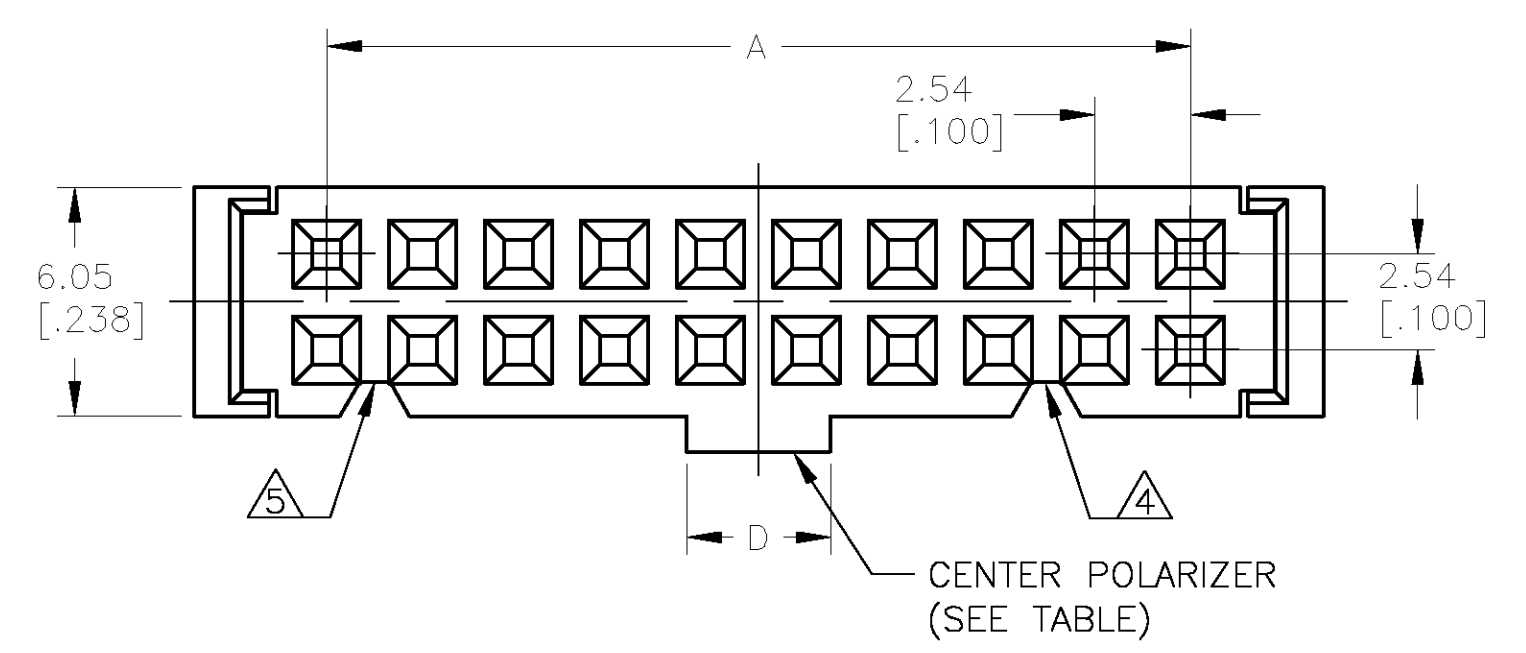
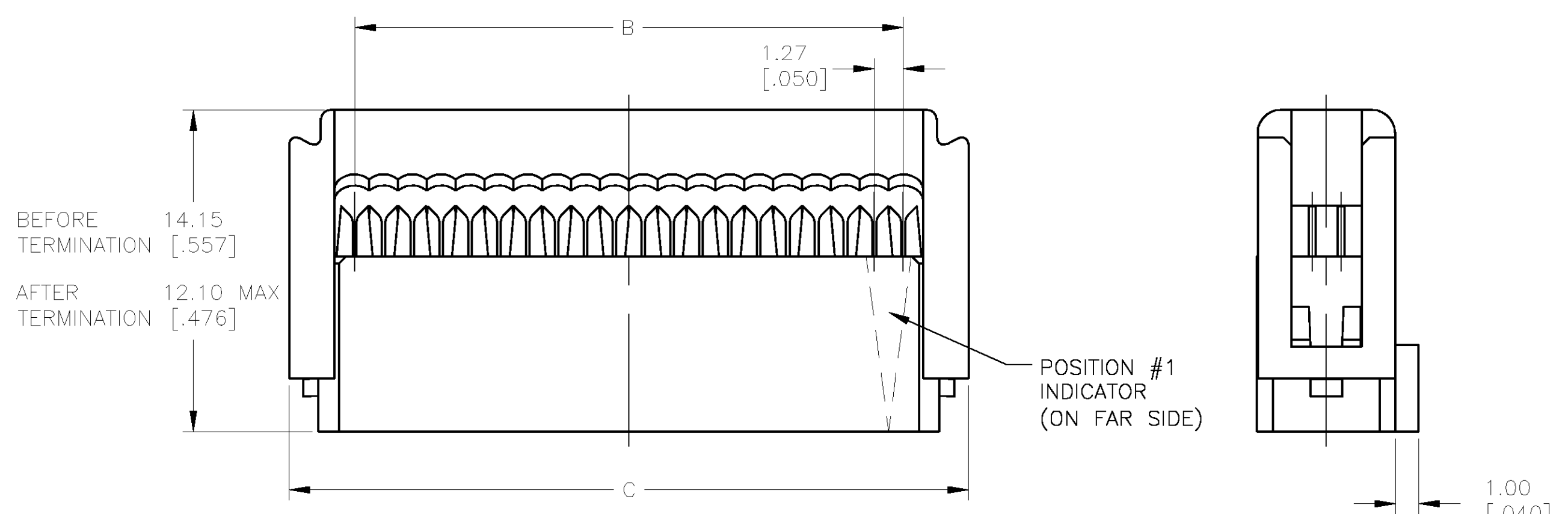
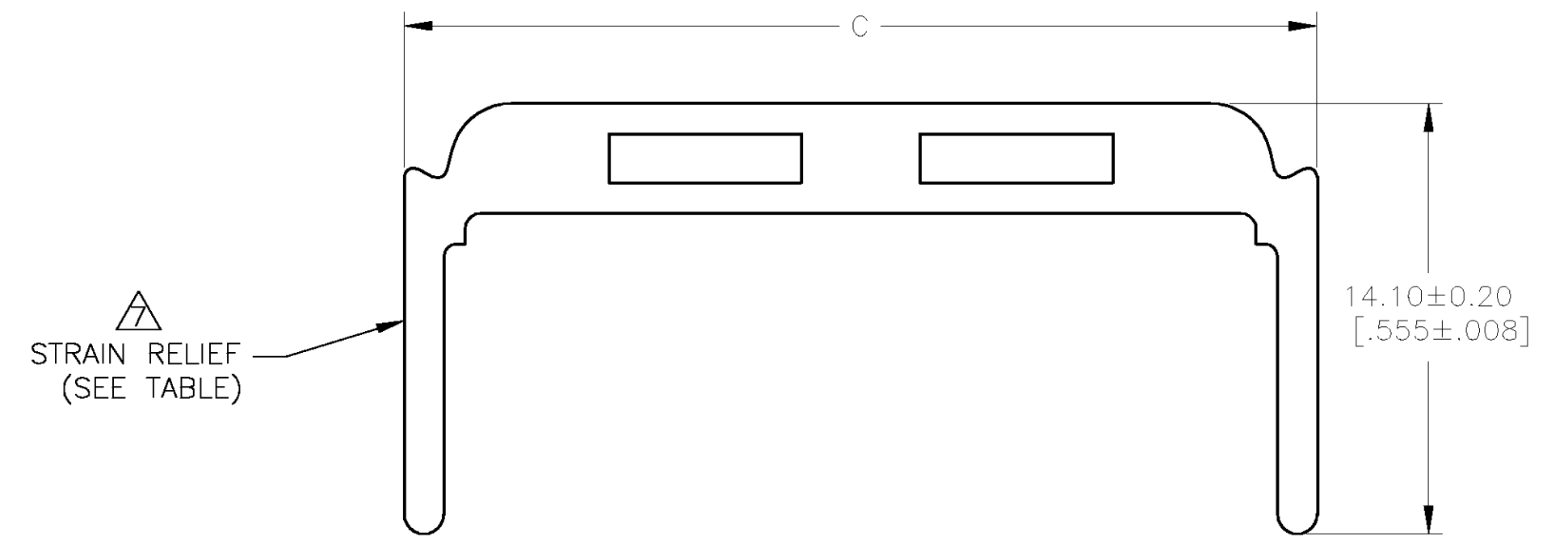


LOC		DIST		REVISIONS				
GP	00	P	LTR	DESCRIPTION	DATE	DWN	APVD	
		O		RELEASED PER EC 0513-0250-04	19AUG04	JG	CR	



- 20 POSITION CONNECTOR ASSEMBLY SHOWN.
- MOLDED PARTS: THERMOPLASTIC, UL94V-0 RATED, COLOR BLUE. CONTACTS: BERYLLIUM COPPER.
- CONTACTS: 0.00076[.000030] MIN GOLD ON MATING AREA, 0.00254-0.00508[.000100-.000200] BRIGHT TIN LEAD ON TERMINATION END, ALL OVER 0.00127[.000050] MIN NICKEL ON ENTIRE CONTACT.
- POLARIZER FEATURE DOES NOT EXIST ON POSITION #1 END FOR 14 POSITION ASSEMBLIES AND SMALLER.
- POLARIZER FEATURE DOES NOT EXIST ON THIS END FOR 4 & 6 POSITION ASSEMBLIES.
- FOR TERMINATION OF 26 OR 28 AWG STRANDED OR SOLID PVC INSULATED FLAT RIBBON CABLE. SEE TYCO DRAWINGS 57034 (26 AWG) OR 57040 (28 AWG) FOR DETAILS.
- STRAIN RELIEF PACKAGED SEPARATELY AND SHIPPED WITH ASSEMBLY.



YES	YES	3.80	[.150]	85.78	[3.377]	80.01	[3.150]	78.74	[3.100]	64	622-6441	4-1437025-3
NO	YES	3.80	[.150]	85.78	[3.377]	80.01	[3.150]	78.74	[3.100]	64	622-6430	3-1437025-7
YES	YES	3.80	[.150]	80.70	[3.177]	74.93	[2.950]	73.66	[2.900]	60	622-6041	3-1437025-2
NO	YES	3.80	[.150]	80.70	[3.177]	74.93	[2.950]	73.66	[2.900]	60	622-6030	2-1437025-7
NO	YES	3.80	[.150]	75.62	[2.977]	69.85	[2.750]	68.58	[2.700]	56	622-5630	2-1437022-9
YES	YES	3.80	[.150]	68.00	[2.677]	62.23	[2.450]	60.95	[2.400]	50	622-5041	1-1437025-6
NO	YES	3.80	[.150]	68.00	[2.677]	62.23	[2.450]	60.95	[2.400]	50	622-5030	1437025-4
NO	NO	-		60.38	[2.377]	54.61	[2.150]	53.34	[2.100]	44	622-4400	2-1437022-1
YES	YES	3.80	[.150]	55.30	[2.177]	49.53	[1.950]	48.26	[1.900]	40	622-4041	8-1437024-6
NO	YES	3.80	[.150]	55.30	[2.177]	49.53	[1.950]	48.26	[1.900]	40	622-4030	7-1437024-7
YES	YES	3.80	[.150]	47.68	[1.877]	41.91	[1.650]	40.64	[1.600]	34	622-3441	5-1437024-6
NO	YES	3.80	[.150]	47.68	[1.877]	41.91	[1.650]	40.64	[1.600]	34	622-3430	4-1437024-8
YES	YES	3.80	[.150]	42.60	[1.677]	36.83	[1.450]	35.56	[1.400]	30	622-3041	4-1437024-1
NO	YES	3.80	[.150]	42.60	[1.677]	36.83	[1.450]	35.56	[1.400]	30	622-3030	3-1437024-8
YES	YES	3.80	[.150]	37.52	[1.477]	31.75	[1.250]	30.48	[1.200]	26	622-2641	3-1437024-0
NO	YES	3.80	[.150]	37.52	[1.477]	31.75	[1.250]	30.48	[1.200]	26	622-2630	2-1437024-4
YES	YES	3.80	[.150]	34.98	[1.377]	29.21	[1.150]	27.94	[1.100]	24	622-2441	2-1437024-7
NO	YES	3.80	[.150]	34.98	[1.377]	29.21	[1.150]	27.94	[1.100]	24	622-2430	1-1437024-4
YES	YES	3.80	[.150]	29.90	[1.177]	24.13	[.950]	22.86	[.900]	20	622-2041	1437024-7
NO	YES	3.80	[.150]	29.90	[1.177]	24.13	[.950]	22.86	[.900]	20	622-2030	1437024-2
YES	YES	3.80	[.150]	24.82	[.977]	19.05	[.750]	17.78	[.700]	16	622-1641	9-1437023-1
NO	YES	3.80	[.150]	24.82	[.977]	19.05	[.750]	17.78	[.700]	16	622-1630	8-1437023-3
YES	YES	3.80	[.150]	22.28	[.877]	16.51	[.650]	15.24	[.600]	14	622-1441	7-1437023-4
NO	YES	3.80	[.150]	22.28	[.877]	16.51	[.650]	15.24	[.600]	14	622-1430	6-1437023-6
YES	YES	3.80	[.150]	19.74	[.777]	13.97	[.550]	12.70	[.500]	12	622-1241	5-1437023-9
NO	YES	3.80	[.150]	19.74	[.777]	13.97	[.550]	12.70	[.500]	12	622-1230	5-1437023-7
YES	YES	3.20	[.126]	17.20	[.677]	11.43	[.450]	10.16	[.400]	10	622-1041	4-1437023-9
NO	YES	3.20	[.126]	17.20	[.677]	11.43	[.450]	10.16	[.400]	10	622-1030	4-1437023-1
NO	NO	-		14.66	[.577]	8.89	[.350]	7.62	[.300]	8	622-0800	1-1437022-7
YES	YES	1.90	[.075]	12.12	[.477]	6.35	[.250]	5.08	[.200]	6	622-0641	3-1437023-1
NO	YES	1.90	[.075]	12.12	[.477]	6.35	[.250]	5.08	[.200]	6	622-0630	2-1437023-6
NO	YES	1.90	[.075]	9.58	[.377]	3.81	[.150]	2.54	[.100]	4	622-0430	1-1437023-8

ELECTRICAL PROPERTIES	
CURRENT RATING	1 AMP
INSULATION RESISTANCE	>1 x 10 <sup>9</sup> OHMS @ 500 VDC
DWV	>500 VRMS AT SEA LEVEL
ENVIRONMENTAL PROPERTIES	
TEMPERATURE RATING	-55°C TO 125°C

**COPYRIGHT 2004  
 TYCO ELECTRONICS CORP  
 ALL RIGHTS RESERVED**

THIS DRAWING IS A CONTROLLED DOCUMENT.

DIMENSIONS: INCHES

TOLERANCES UNLESS OTHERWISE SPECIFIED:

0 PLC	± .005
1 PLC	± .005
2 PLC	± .005
3 PLC	± .005
4 PLC	± .005
ANGLES	± .005

MATERIAL: FINISH:

APPROVED: J. GERACE, C. ROHDE, M. WALMSLEY

TYCO Electronics Tyco Electronics Corporation, Harrisburg, Pa 17105-3508

CONNECTOR ASSEMBLY, FEMALE SOCKET TRANSITION, 622 SERIES

SIZE: A1, CAGE CODE: 00779, DRAWING NO: 2-1437022-9, RESTRICTED TO: -

CUSTOMER DRAWING, SCALE: 10:1, SHEET: 1 OF 1, REV: 0