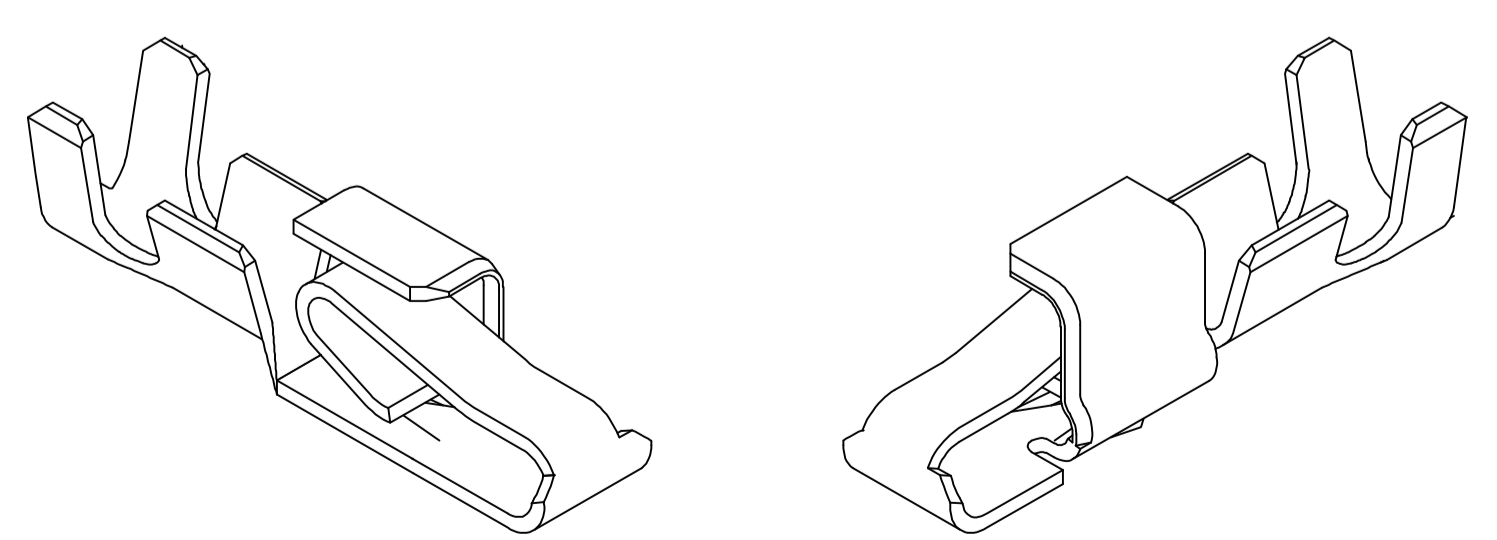
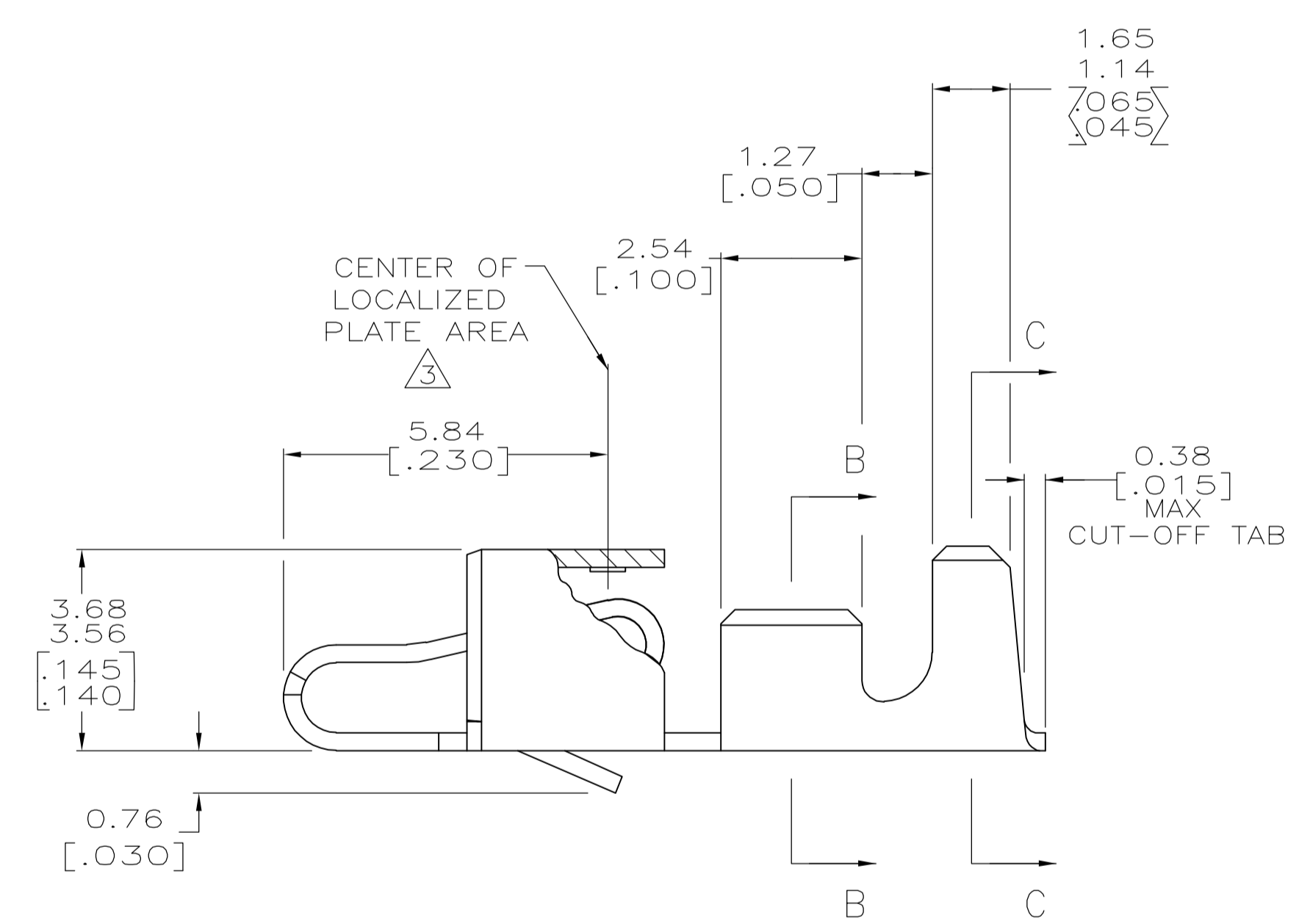
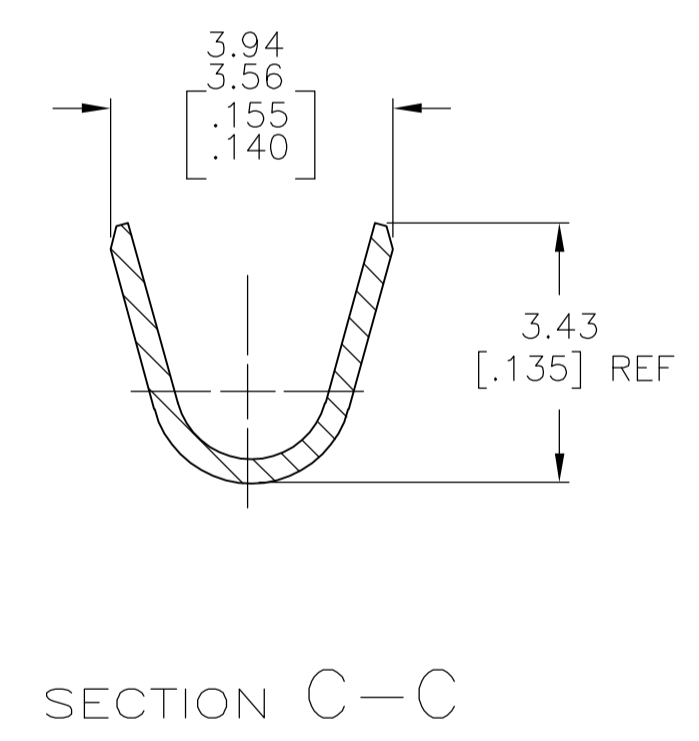
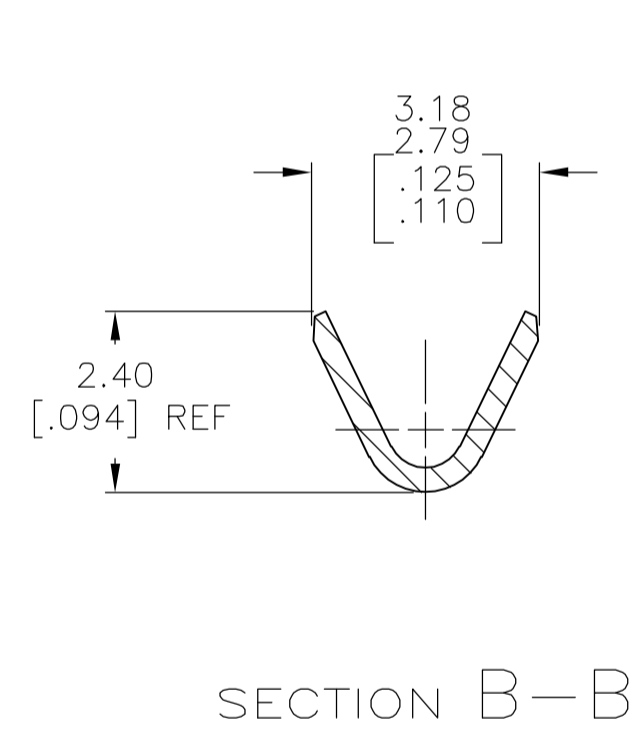
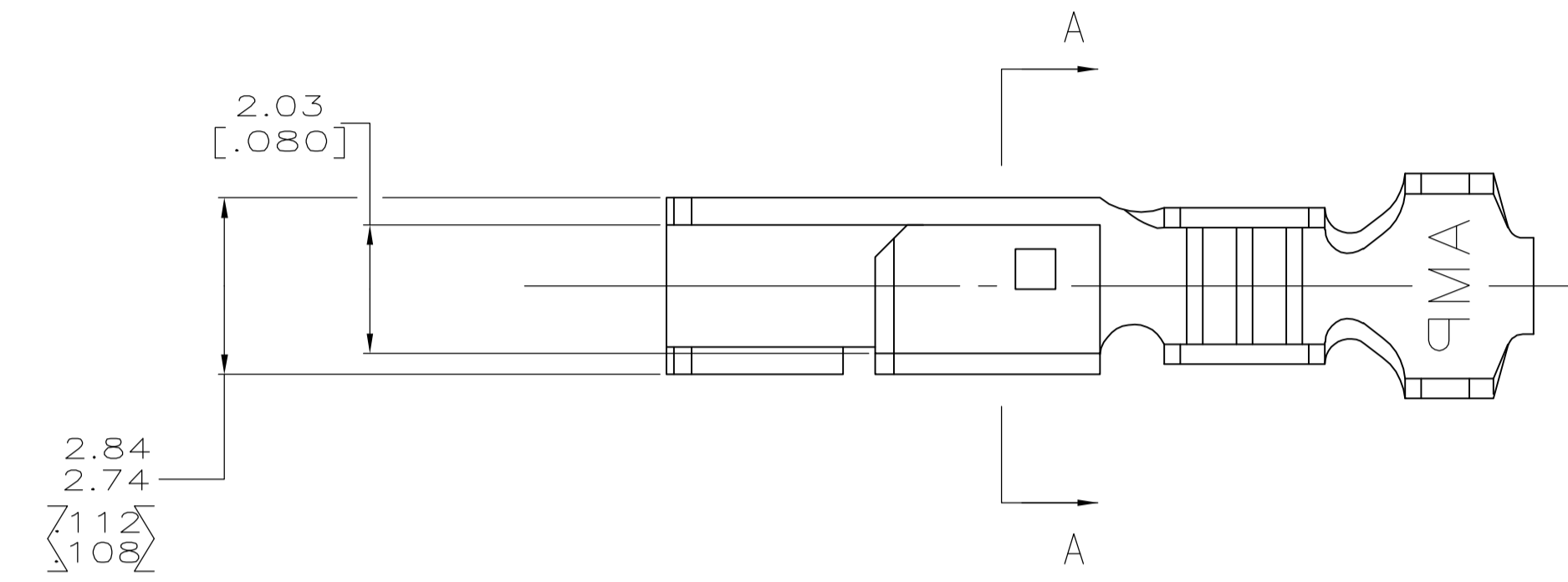
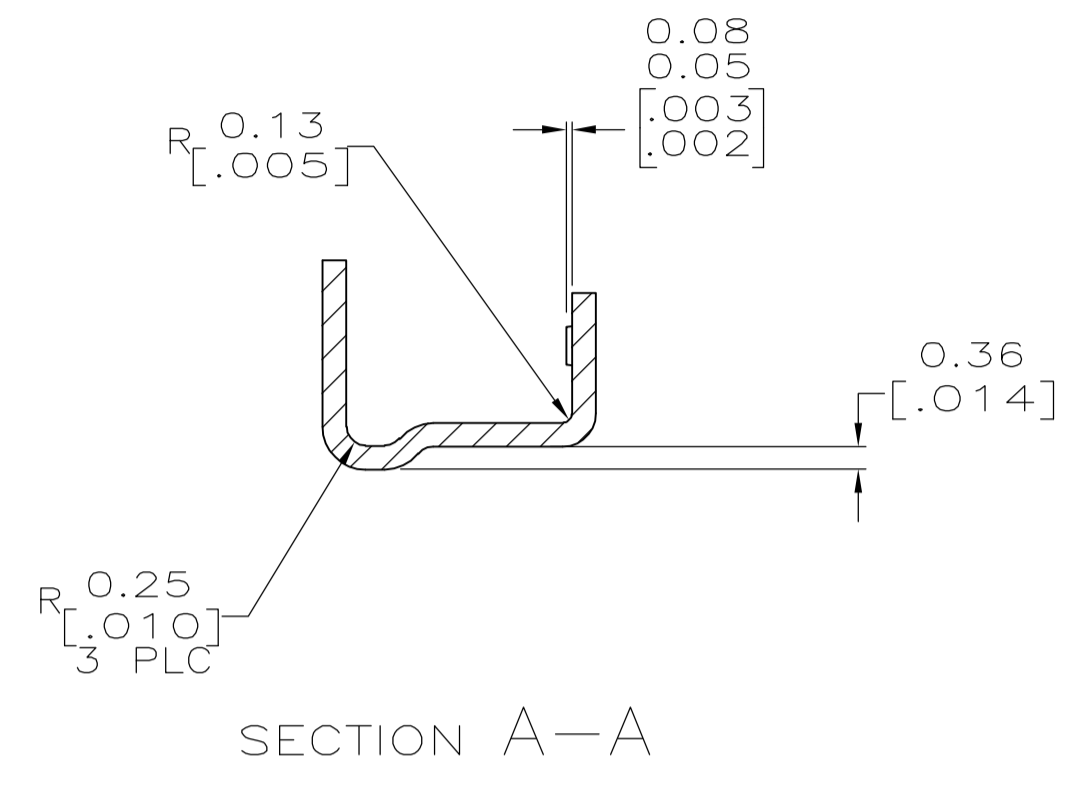


LOC		DIST		REVISIONS			
P	LTR	DESCRIPTION	DATE	DWN	APPD		
D		REVISED PER ECO-06-006795	17MAY06	KW	JE		

- INSULATION RANGE: 1.09-2.79 [.043-.110]
 WIRE RANGE: 0.2-0.9 mm (24-18) AWG.
- 0.00203 [.000080] MIN BRIGHT TIN-LEAD OVER
 0.00127 [.000050] MIN NICKEL.
- 0.00076 [.000030] MIN THICK GOLD STRIPES IN
 LOCALIZED PLATE AREA ON BEAM AND DIMPLE OVER
 0.00127 [.000050] MIN THICK NICKEL OVER ENTIRE
 CONTACT.
- DIMENSIONS IN BRACKETS ARE IN INCHES.
- 0.00203 [.000080] MIN BRIGHT TIN OVER
 0.00127 [.000050] MIN NICKEL.



3-DIMENSIONAL MODELS
NTS

METRIC

FINISH	PART NUMBER
⑤	3-770522-1
③	770522-2
②	770522-1

THIS DRAWING IS A CONTROLLED DOCUMENT.		DWN K. WHITAKER 17MAY3006	Tyco Electronics Corporation Harrisburg, Pa 17105-3608
DIMENSIONS: mm [NCHES]		CHK J. ELLIS 17MAY2006	
TOLERANCES UNLESS OTHERWISE SPECIFIED:		APVD J. ELLIS 17MAY2006	NAME RECEPTACLE, SL-156, LOOSE PIECE
0 PLC ± -		PRODUCT SPEC	
1 PLC ± -		APPLICATION SPEC	
2 PLC ± -			
3 PLC ± 0.13 [.005]			
4 PLC ± -			
ANGLES ± -			
FINISH -			
MATERIAL .318 [.0125] PH BRZ		WEIGHT -	RESTRICTED TO -
CUSTOMER DRAWING		SIZE A1	SCALE 10:1
		CAGE CODE 00779	DRAWING NO 770522
		SHEET 1 of 1	REV D