

**POLYPRO™, TYPE 4X**


**INDUSTRY STANDARDS**

Mounting brackets required to meet UL/CSA external mounting requirements.

UL 508A Listed; Type 4, 4X, 12, 13; File No. E61997  
 cUL Listed per CSA C22.2 No 94; Type 4, 4X, 12, 13; File No. E61997  
 Enclosure flammability evaluated per UL 508A  
 Window flammability evaluated per UL 508A

NEMA/EEMAC Type 4, 4X, 12, 13  
 CSA File No. 42186; Type 4, 4X, 12, 13 (solid covers only)  
 IEC 60529, IP66

**APPLICATION**

POLYPRO™ polyester enclosures perform exceptionally well in applications where harsh chemicals, weather extremes and corrosive environments demand toughness from a lightweight enclosure. Providing excellent ultraviolet protection and a tight environmental seal, these versatile, feature-rich enclosures are also recyclable.

**SPECIFICATIONS**

- Non-glass-filled polyester material offers superior UV resistance; eliminates fiberbloom associated with fiberglass
- Provides excellent chemical resistance to a broad range of solvents, alkalis and acids
- Resists cracking and provides excellent impact resistance
- Lighter-weight than fiberglass
- Recyclable
- Easy, dustless in-field modifications using standard tools
- Overlapping tongue-and-groove raised cover and gasket provide a secure Type 4X seal

- Removable snap-hinge cover allows for easy access to cover and body for modifications
- Molded layout grid on inside of body and solid covers assists with component mounting
- Molded-in embosses for rear panel mounting
- Optional cover screws included with all models
- Internal rail system and adjustable panel blocks allow for panel height adjustment and installation of multiple panels
- Scratch-resistant polycarbonate windows
- Standard models include body and cover, two mounting feet, two latch assemblies with optional cover screws and hardware (adjustable panel blocks and panels sold separately)

**FINISH**

RAL 7035 light-gray textured finish inside and out

**ACCESSORIES**

*See also Accessories.*  
 Adjustable Panel Block Kit  
 Panels for Junction Boxes  
 HOL-SEALERS™ Non-Metallic Hole Seals  
 Aluminum Swing-Out Panels  
 Stainless Steel Latches (Padlockable)  
 Hinge Retainers

**MODIFICATION AND CUSTOMIZATION**

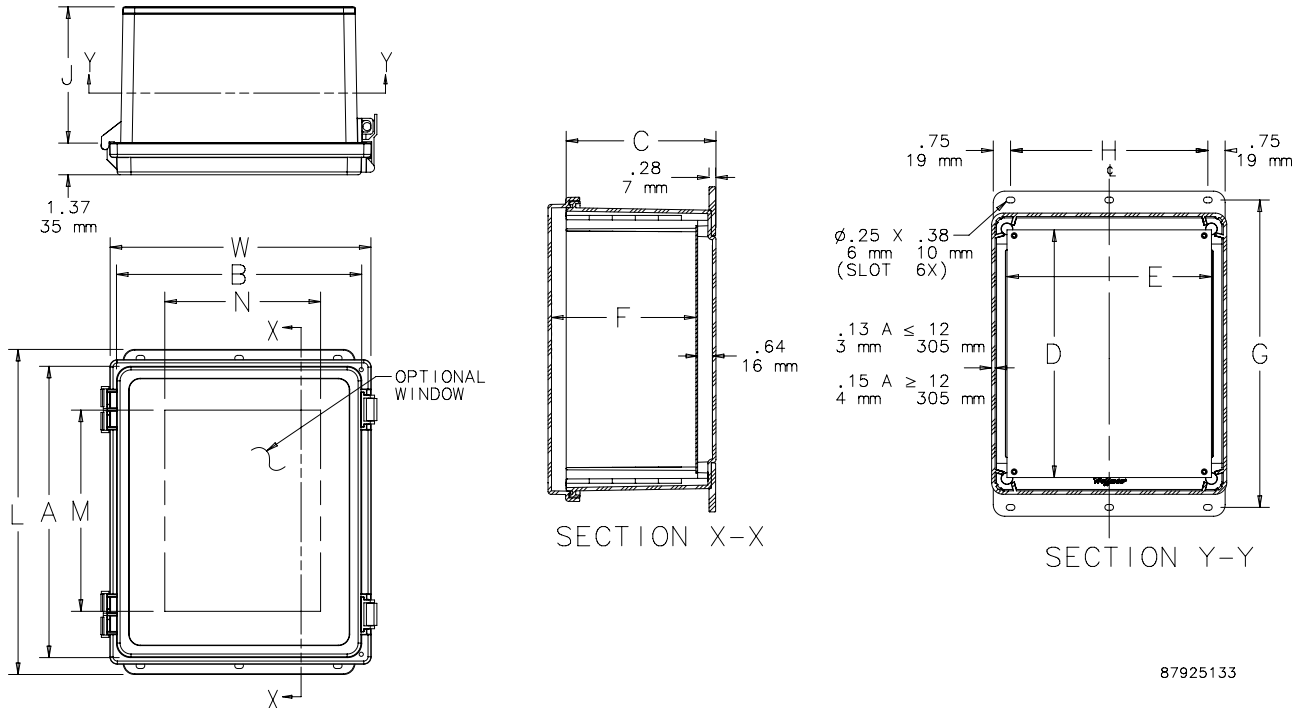
Hoffman excels at modifying and customizing products to your specifications. Contact your local Hoffman sales office or distributor for complete information.

**BULLETIN: PCR**

Standard Product

| Catalog Number | AxBxC in./mm          | Cover Type | Steel Panel | Aluminum Panel | Panel Size    |          |          |          |          |          |          |          |          |
|----------------|-----------------------|------------|-------------|----------------|---------------|----------|----------|----------|----------|----------|----------|----------|----------|
|                |                       |            |             |                | D x E in./mm  | F in./mm | G in./mm | H in./mm | J in./mm | L in./mm | M in./mm | N in./mm | W in./mm |
| A644PHC        | 6.12 x 4.12 x 4.38    | Solid      | A6P4        | A6P4AL         | 4.88 x 2.88   | 4.32     | 7.38     | 2.56     | 3.91     | 8.15     | —        | —        | 5.23     |
|                | 155 x 105 x 111       |            |             |                | 124 x 73      | 110      | 187      | 65       | 99       | 207      | —        | —        | 133      |
| A644PHCW       | 6.12 x 4.12 x 4.38    | Window     | A6P4        | A6P4AL         | 4.88 x 2.88   | 4.32     | 7.38     | 2.56     | 3.91     | 8.15     | 4.25     | 2.25     | 5.23     |
|                | 155 x 105 x 111       |            |             |                | 124 x 73      | 110      | 187      | 65       | 99       | 207      | 108      | 57       | 133      |
| A664PHC        | 6.12 x 6.12 x 4.38    | Solid      | A6P6        | A6P6AL         | 4.88 x 4.88   | 4.32     | 7.38     | 4.56     | 3.91     | 8.15     | —        | —        | 7.23     |
|                | 155 x 155 x 111       |            |             |                | 124 x 124     | 110      | 187      | 116      | 99       | 207      | —        | —        | 184      |
| A664PHCW       | 6.12 x 6.12 x 4.38    | Window     | A6P6        | A6P6AL         | 4.88 x 4.88   | 4.32     | 7.38     | 4.56     | 3.91     | 8.15     | 4.25     | 4.25     | 7.23     |
|                | 155 x 155 x 111       |            |             |                | 124 x 124     | 110      | 187      | 116      | 99       | 207      | 108      | 108      | 184      |
| A864PHC        | 8.12 x 6.12 x 4.38    | Solid      | A8P6        | A8P6AL         | 6.75 x 4.88   | 4.32     | 9.38     | 4.56     | 3.91     | 10.15    | —        | —        | 7.23     |
|                | 206 x 155 x 111       |            |             |                | 171 x 124     | 110      | 238      | 116      | 99       | 258      | —        | —        | 184      |
| A864PHCW       | 8.12 x 6.12 x 4.38    | Window     | A8P6        | A8P6AL         | 6.75 x 4.88   | 4.32     | 9.38     | 4.56     | 3.91     | 10.15    | 6.25     | 4.25     | 7.23     |
|                | 206 x 155 x 111       |            |             |                | 171 x 124     | 110      | 238      | 116      | 99       | 258      | 159      | 108      | 184      |
| A884PHC        | 8.12 x 8.12 x 4.38    | Solid      | A8P8        | A8P8AL         | 6.75 x 6.88   | 4.32     | 9.38     | 6.56     | 3.91     | 10.15    | —        | —        | 9.23     |
|                | 206 x 206 x 111       |            |             |                | 171 x 175     | 110      | 238      | 167      | 99       | 258      | —        | —        | 234      |
| A884PHCW       | 8.12 x 8.12 x 4.38    | Window     | A8P8        | A8P8AL         | 6.75 x 6.88   | 4.32     | 9.38     | 6.56     | 3.91     | 10.15    | 6.25     | 6.25     | 9.23     |
|                | 206 x 206 x 111       |            |             |                | 171 x 175     | 110      | 238      | 167      | 99       | 258      | 159      | 159      | 234      |
| A1084PHC       | 10.12 x 6.12 x 4.38   | Solid      | A10P8       | A10P8AL        | 8.75 x 6.88   | 4.32     | 11.38    | 6.56     | 3.91     | 12.15    | —        | —        | 9.23     |
|                | 257 x 155 x 111       |            |             |                | 222 x 175     | 110      | 289      | 167      | 99       | 309      | —        | —        | 234      |
| A1084PHCW      | 10.12 x 6.12 x 4.38   | Window     | A10P8       | A10P8AL        | 8.75 x 6.88   | 4.32     | 11.38    | 6.56     | 3.91     | 12.15    | 8.25     | 6.25     | 9.23     |
|                | 257 x 155 x 111       |            |             |                | 222 x 175     | 110      | 289      | 167      | 99       | 309      | 210      | 159      | 234      |
| A10106PHC      | 10.04 x 10.04 x 6.38  | Solid      | A10P10      | A10P10AL       | 8.75 x 8.88   | 6.32     | 11.31    | 8.56     | 5.91     | 12.08    | —        | —        | 11.23    |
|                | 255 x 255 x 162       |            |             |                | 222 x 226     | 161      | 287      | 217      | 150      | 307      | —        | —        | 285      |
| A10106PHCW     | 10.04 x 10.04 x 6.38  | Window     | A10P10      | A10P10AL       | 8.75 x 8.88   | 6.32     | 11.31    | 8.56     | 5.91     | 12.08    | 8.25     | 8.25     | 11.23    |
|                | 255 x 255 x 162       |            |             |                | 222 x 226     | 161      | 287      | 217      | 150      | 307      | 210      | 210      | 285      |
| A12106PHC      | 12.08 x 10.09 x 6.38  | Solid      | A12P10      | A12P10AL       | 10.75 x 8.88  | 6.32     | 13.34    | 8.56     | 5.91     | 14.08    | —        | —        | 11.23    |
|                | 307 x 256 x 162       |            |             |                | 273 x 226     | 161      | 339      | 217      | 150      | 358      | —        | —        | 285      |
| A12106PHCW     | 12.08 x 10.09 x 6.38  | Window     | A12P10      | A12P10AL       | 10.75 x 8.88  | 6.32     | 13.34    | 8.56     | 5.91     | 14.08    | 10.25    | 8.25     | 11.23    |
|                | 307 x 256 x 162       |            |             |                | 273 x 226     | 161      | 339      | 217      | 150      | 358      | 260      | 210      | 285      |
| A14128PHC      | 14.02 x 12.01 x 8.35  | Solid      | A14P12      | A14P12AL       | 12.75 x 10.88 | 8.27     | 15.27    | 10.56    | 7.91     | 16.04    | —        | —        | 13.32    |
|                | 356 x 305 x 212       |            |             |                | 324 x 276     | 210      | 388      | 268      | 201      | 407      | —        | —        | 338      |
| A14128PHCW     | 14.02 x 12.01 x 8.35  | Window     | A14P12      | A14P12AL       | 12.75 x 10.88 | 8.27     | 15.27    | 10.56    | 7.91     | 16.04    | 12.25    | 10.25    | 13.32    |
|                | 356 x 305 x 212       |            |             |                | 324 x 276     | 210      | 388      | 268      | 201      | 407      | 311      | 260      | 338      |
| A16148PHC      | 16.02 x 14.01 x 8.35  | Solid      | A16P14      | A16P14AL       | 14.75 x 12.88 | 8.27     | 17.27    | 12.56    | 7.91     | 18.04    | —        | —        | 15.32    |
|                | 407 x 356 x 212       |            |             |                | 375 x 327     | 210      | 439      | 319      | 201      | 458      | —        | —        | 389      |
| A16148PHCW     | 16.02 x 14.01 x 8.35  | Window     | A16P14      | A16P14AL       | 14.75 x 12.88 | 8.27     | 17.27    | 12.56    | 7.91     | 18.04    | 14.25    | 12.25    | 15.32    |
|                | 407 x 356 x 212       |            |             |                | 375 x 327     | 210      | 439      | 319      | 201      | 458      | 362      | 311      | 389      |
| A181610PHC     | 17.95 x 15.94 x 10.35 | Solid      | A18P16      | A18P16AL       | 16.75 x 14.88 | 10.27    | 19.20    | 14.56    | 9.91     | 19.97    | —        | —        | 17.32    |
|                | 456 x 405 x 263       |            |             |                | 425 x 378     | 261      | 488      | 370      | 252      | 507      | —        | —        | 440      |
| A181610PHCW    | 17.95 x 15.94 x 10.35 | Window     | A18P16      | A18P16AL       | 16.75 x 14.88 | 10.27    | 19.20    | 14.56    | 9.91     | 19.97    | 16.25    | 14.25    | 17.32    |
|                | 456 x 405 x 263       |            |             |                | 425 x 378     | 261      | 488      | 370      | 252      | 507      | 413      | 362      | 440      |

Purchase panels separately. Panels are available in aluminum, mild steel, stainless steel, conductive and composite materials.



87925133

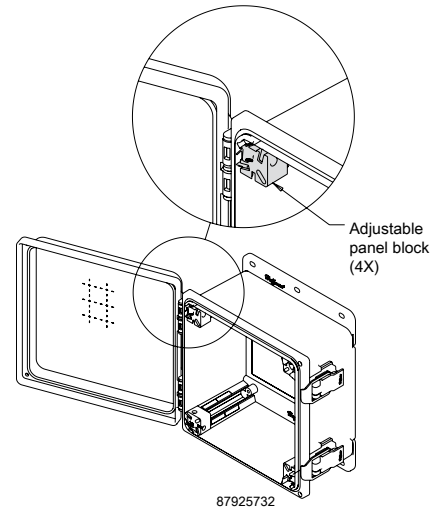
### ADJUSTABLE PANEL BLOCK KIT

Panel blocks slide inside POLYPRO internal rail system for panel height adjustment within top 5 in. of enclosure. Allows for installation of multiple panels.

BULLETIN: PCRY

| Catalog Number | Qty. |
|----------------|------|
| APNLBLK        | 4    |

Includes Allen wrench

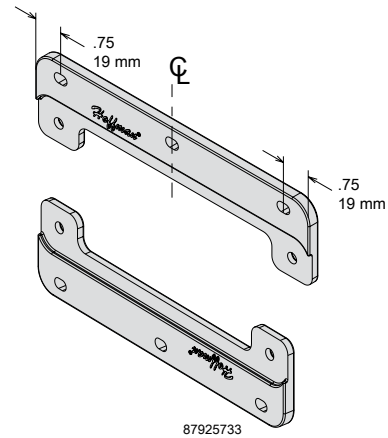


### POLYESTER MOUNTING BRACKET KITS

Replacement POLYPRO mounting brackets are sold in sets of two and include hardware for mounting to enclosure. Included with standard POLYPRO models.

BULLETIN: PCRY

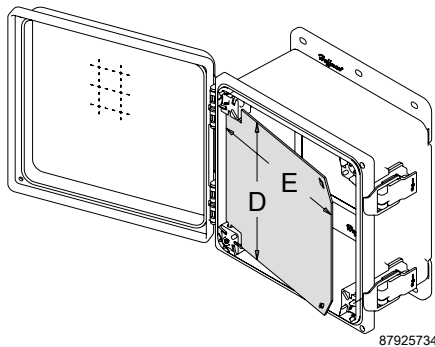
| Catalog Number | Description (in.) | Qty. |
|----------------|-------------------|------|
| APOLYFT4       | 4.00              | 2    |
| APOLYFT6       | 6.00              | 2    |
| APOLYFT8       | 8.00              | 2    |
| APOLYFT10      | 10.00             | 2    |
| APOLYFT12      | 12.00             | 2    |
| APOLYFT14      | 14.00             | 2    |
| APOLYFT16      | 16.00             | 2    |



### ALUMINUM SWING-OUT PANELS

Includes four POLYPRO Adjustable Panel Blocks. No enclosure modification is required for installation.

BULLETIN: PCRY



| Catalog Number | D x E (in.)   | D x E (mm) |
|----------------|---------------|------------|
| A64PSWPNL      | 5.00 x 3.62   | 127 x 92   |
| A66PSWPNL      | 5.00 x 5.62   | 127 x 143  |
| A86PSWPNL      | 7.00 x 5.62   | 178 x 143  |
| A88PSWPNL      | 7.00 x 7.62   | 178 x 194  |
| A108PSWPNL     | 9.00 x 7.62   | 229 x 194  |
| A1010PSWPNL    | 9.00 x 9.62   | 229 x 244  |
| A1210PSWPNL    | 11.00 x 9.62  | 279 x 244  |
| A1412PSWPNL    | 13.00 x 11.62 | 330 x 295  |
| A1614PSWPNL    | 15.00 x 13.62 | 381 x 346  |
| A1816PSWPNL    | 17.00 x 15.62 | 432 x 397  |

**STAINLESS STEEL LATCHES (PADLOCKABLE)**



Stainless Steel Latches can be retrofitted on all POLYPRO models with no modification or drilling required. Hinge/latch constructed of corrosion-resistant polyester with a Type 316L stainless steel bail.

Included with standard POLYPRO models.

**BULLETIN: PCRY**

| Catalog Number | Qty. |
|----------------|------|
| AQRLSS6        | 2    |

**HINGE RETAINERS**



Hinge Retainers can be field-installed without modification to POLYPRO hinges for applications where easy cover removal is not desired. Two retainers per enclosure is recommended. Kit includes ten hinge retainers.

**BULLETIN: PCRY**

| Catalog Number | Description             | Pkg. Qty. |
|----------------|-------------------------|-----------|
| AHGCLP         | POLYPRO Hinge Retainers | 10        |