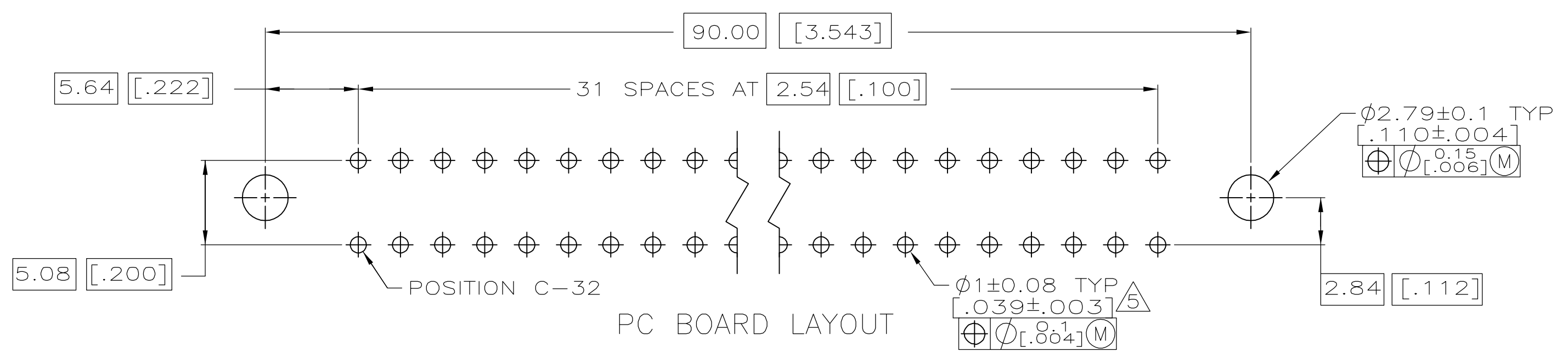
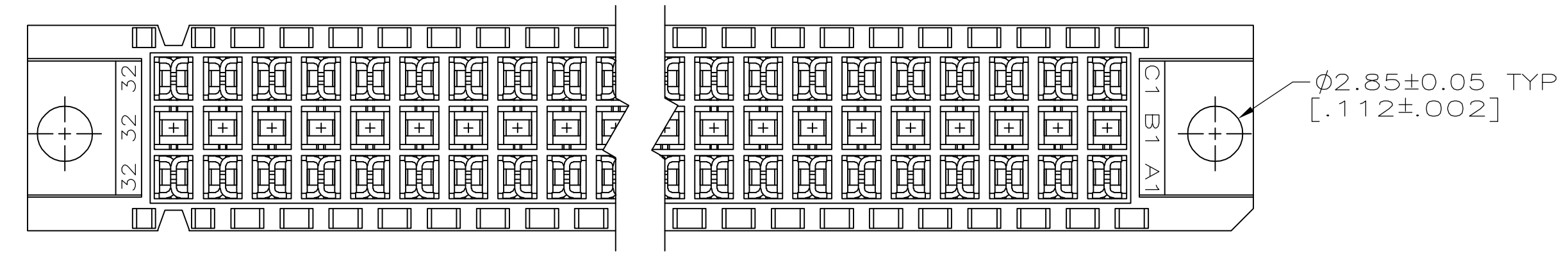
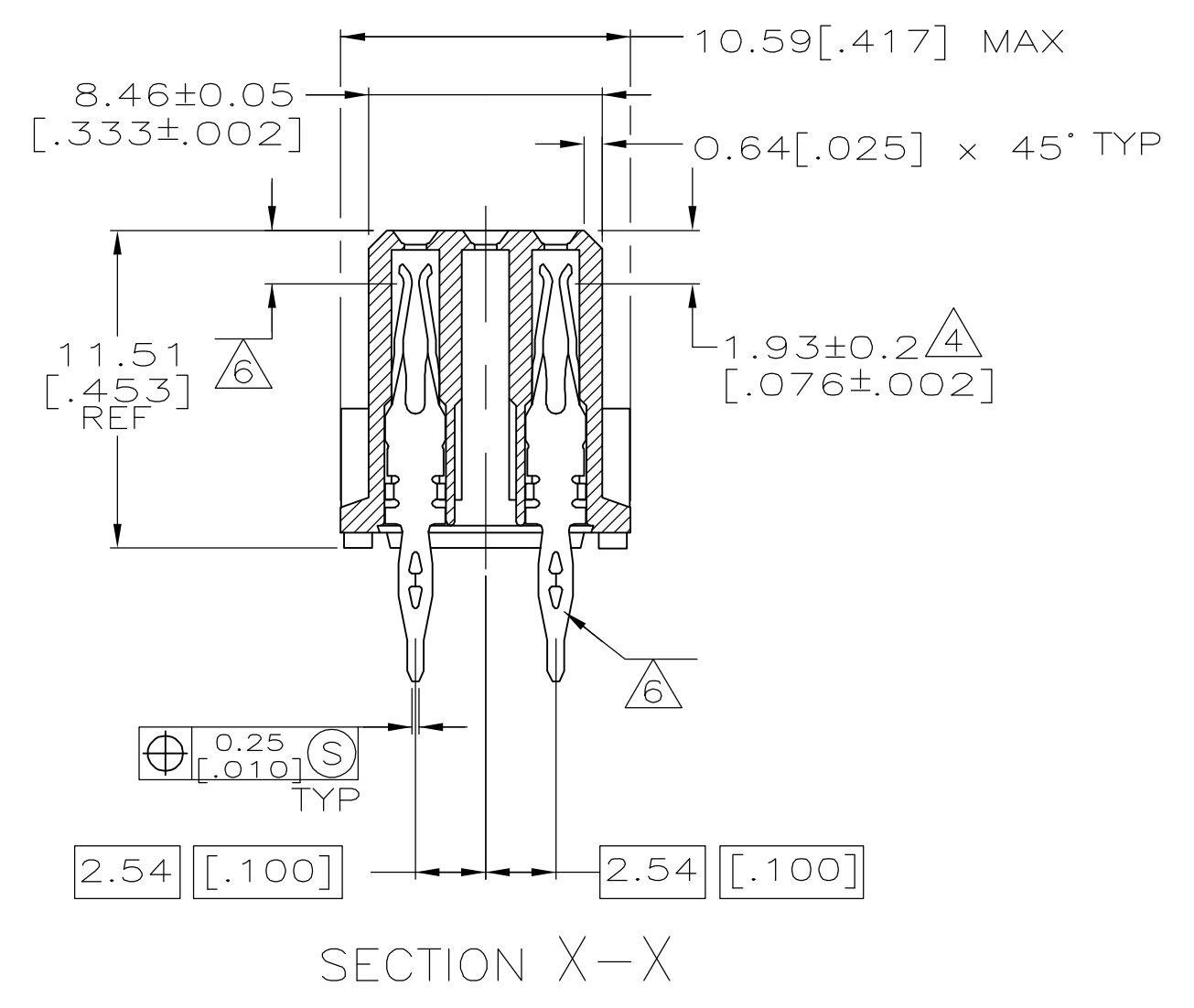
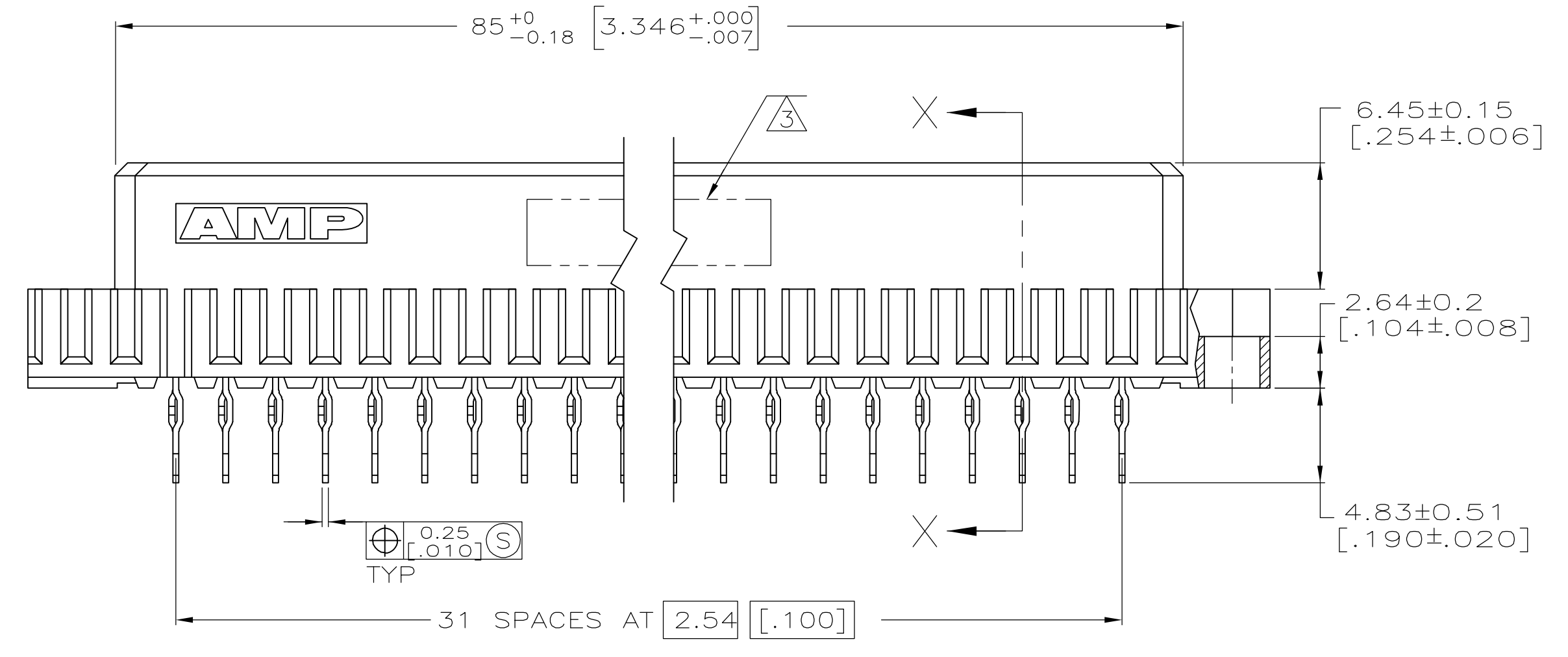
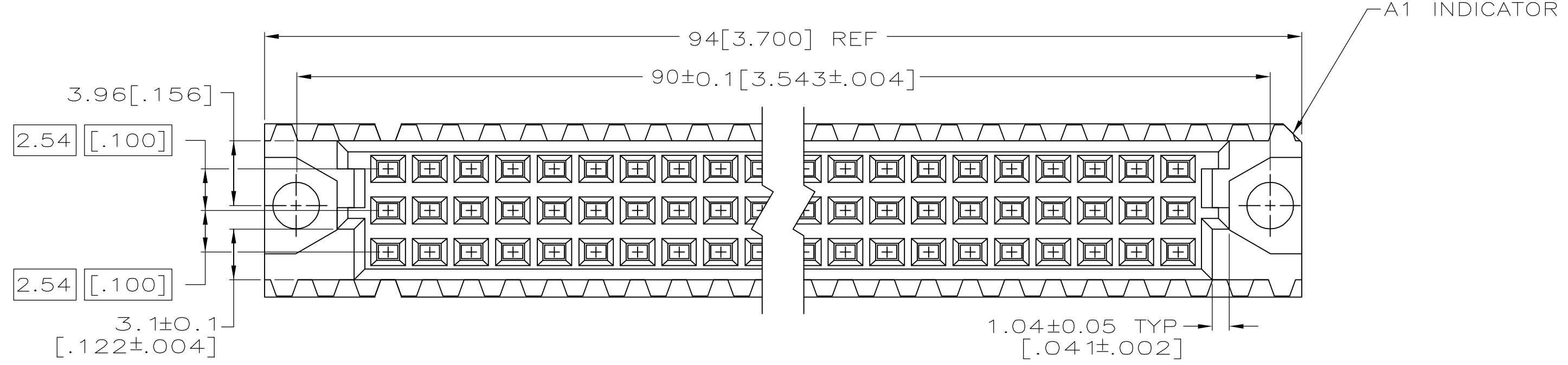


- 1 HOUSING MATERIAL: GLASS-FILLED POLYMER.
- 2 CONTACT MATERIAL: COPPER ALLOY.
- 3 PART NUMBER, DATE CODE IDENTIFICATION, CSA LOGO IN THIS APPROXIMATE AREA.
- 4 POINT OF MEASUREMENT FOR GOLD.
- 5 ACTION PIN POSTS REQUIRE 1.57[.062] MIN THICK PC BOARD. RECOMMENDED PC BOARD HOLES ARE  $\varnothing 1.51 \pm 0.2$  [.0453 ± .001] DRILLED HOLE WITH 0.2-0.07 [.001-.003] COPPER AND 0.008 [.0003] MIN TIN-LEAD PLATING. FINISHED HOLE AFTER PLATING,  $\varnothing 0.94-1.09$  [.037-.043].
- 6 CONTACT FINISH: DIN 41612 CLASS 2 ON CONTACT AREA. TIN PLATE ON POSTS.



6	1 THRU 32	X	-	X	64	5535059-5
6	1 THRU 32	X	-	X	64	5535059-4
FINISH	POSITIONS LOADED	C	B	A	NO. OF LOADED POSITIONS	ASSY PART NUMBER
					ROWS LOADED	

THIS DRAWING IS A CONTROLLED DOCUMENT.

DIMENSIONS:	TOLERANCES UNLESS OTHERWISE SPECIFIED:	DWN	J. POLIGNONE	03JUN05	<b>tyco</b>	Tyco Electronics Corporation
mm [INCHES]		CHK	A. SHARPE	03JUN05		Harrisburg, Pa 17105-3608
0 PLC	± -	APP'D	A. SHARPE	03JUN05	NAME	ASSEMBLY, RECEPTACLE, EUROCARD, TYPE C, LEAD-FREE, A and C, 64/96 POSITION, 4.83[.190] TOOLLESS PRESS-FIT,
1 PLC	± -	PRODUCT SPEC			SIZE	CAGE CODE DRAWING NO
2 PLC	± 0.15[.005]	APPLICATION SPEC			WEIGHT	RESTRICTED TO
3 PLC	± -				A1	00779 ©=5535059
4 PLC	± -				CUSTOMER DRAWING	SCALE 4:1 SHEET 1 OF 1 REV 0
ANGLES	± -					
FINISH						