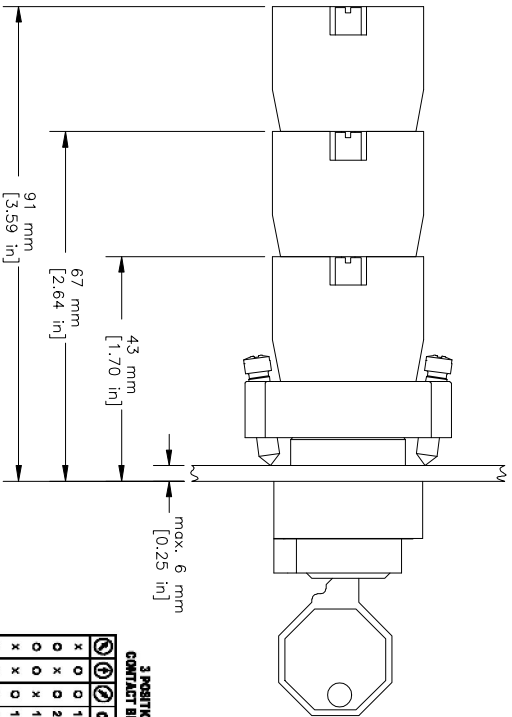
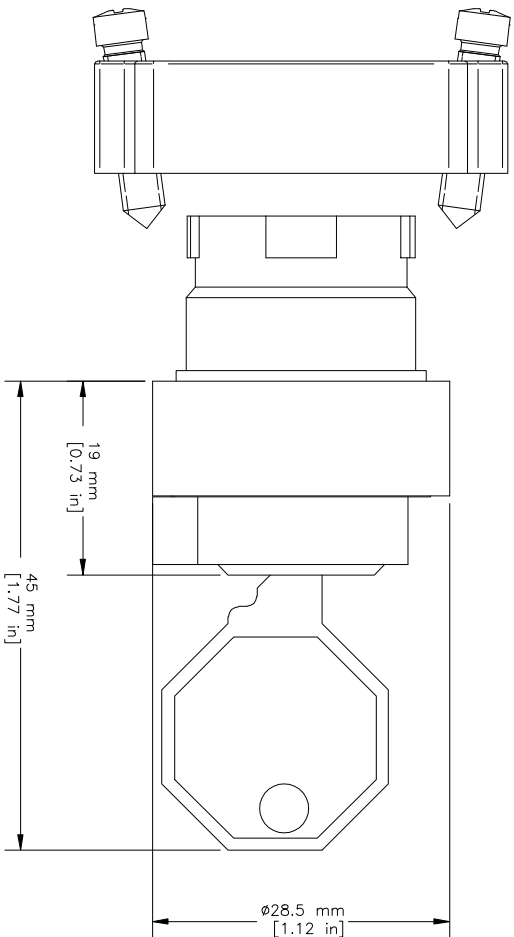
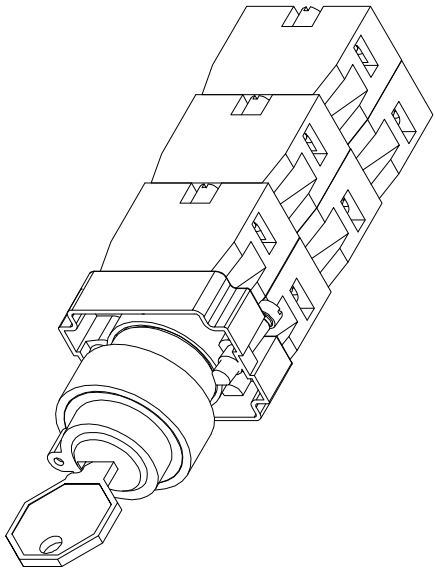


REVISIONS FOR DWG # 1PB-2AK2-xx				
REV	CH. NO.	DESCRIPTION	DATE	REVISED BY
-	-	ORIGINAL DESIGN	10/31/07	Phil E.



3 POSITION SELECTOR SWITCH CONTACT BLOCK OPERATION GUIDE	
CONTACT BLOCK OPERATION GUIDE	
X	1 NO (left)
O	2 NC In center (slide x slide)
O	1 NO (right)
X	1 NC (right)
X	1 NC (left)
X	2 NO In parallel (slide x slide)

(Left or right as seen from front of operator)

ITEM	DESCRIPTION	CAT. NO.	DESCRIPTION	Key Removal	MIN. QTY.	MAX. QTY.
1	Key Selector(comes with mounting bracket ZBRK)	2AK2-01	Maintained	Left/Right	1	1
		2AK2-02	Maintained	Left/Right	1	1
		2AK2-03	Maintained	Right	1	1
		2AK2-04	Spring Return	Left	1	1
		2AK2-05	Maintained	Left/Right	1	1
		2AK2-06	Maintained	All	1	1
		2AK2-07	Maintained	Center	1	1
		2AK2-08	Spring Return	Center	1	1
		2AK2-09	Spring Return	Center	1	1
		2AK2-10	Spring Return	Center	1	1
		2AK2-11	Maintained	Left	1	1
2	Key (incl. in Key Selector)	2KY455	-	-	1	1
3	Mounting Bracket	ZBRK	-	-	1	1
4	Mounting Bracket Screws	incl. in ZBRK	-	-	2	2
5	Panel	-	-	-	-	-
		S1	-	Green	1	6
		S2	-	Red	1	6
		S3	-	Green/Gray	1	6
6	Switch Contacts	S4	-	Red/Gray	1	6

UNLESS OTHERWISE SPECIFIED
 • ALL DIMENSIONS ARE IN MILLIMETERS
 • THIRD ANGLE PROJECTION

TOLERANCE
 XX ±1 mm
 XX.X ±0.5 mm
 XX.XX ±0.2 mm
 ALL - mm

MIL-R-C

This Drawing is the property of
Attech Corp.
 35 Royal Road
 Flemington NJ 08822-6000
 (908) 806-9400 • Fax (908) 806-9490

AND IS A CONFIDENTIAL DISCLOSURE
 LENT WITHOUT CONSIDERATION OTHER
 THAN THE BORROWER'S AGREEMENT
 THAT IT SHALL NOT BE REPRODUCED,
 COPIED, LENT, OR DISPOSED OF
 DIRECTLY OR INDIRECTLY NOR USED
 FOR ANY PURPOSE OTHER THAN THAT
 FOR WHICH IT IS SPECIFICALLY
 FURNISHED.

TITLE: 22mm Non-Illuminated Metal Key Selector
 Switch Operator 2AK2-xx (xx=type)

DRAWN BY: Philipp Ernstberger 10/31/07
 CHECKED BY: Laszlo Gyorgypal 10/31/07
 RELEASED BY: Laszlo Gyorgypal 10/31/07

DRAWING NO.: 1PB-2AK2-xx
 SCALE: - SHEET: 1 OF: 1

REV: -