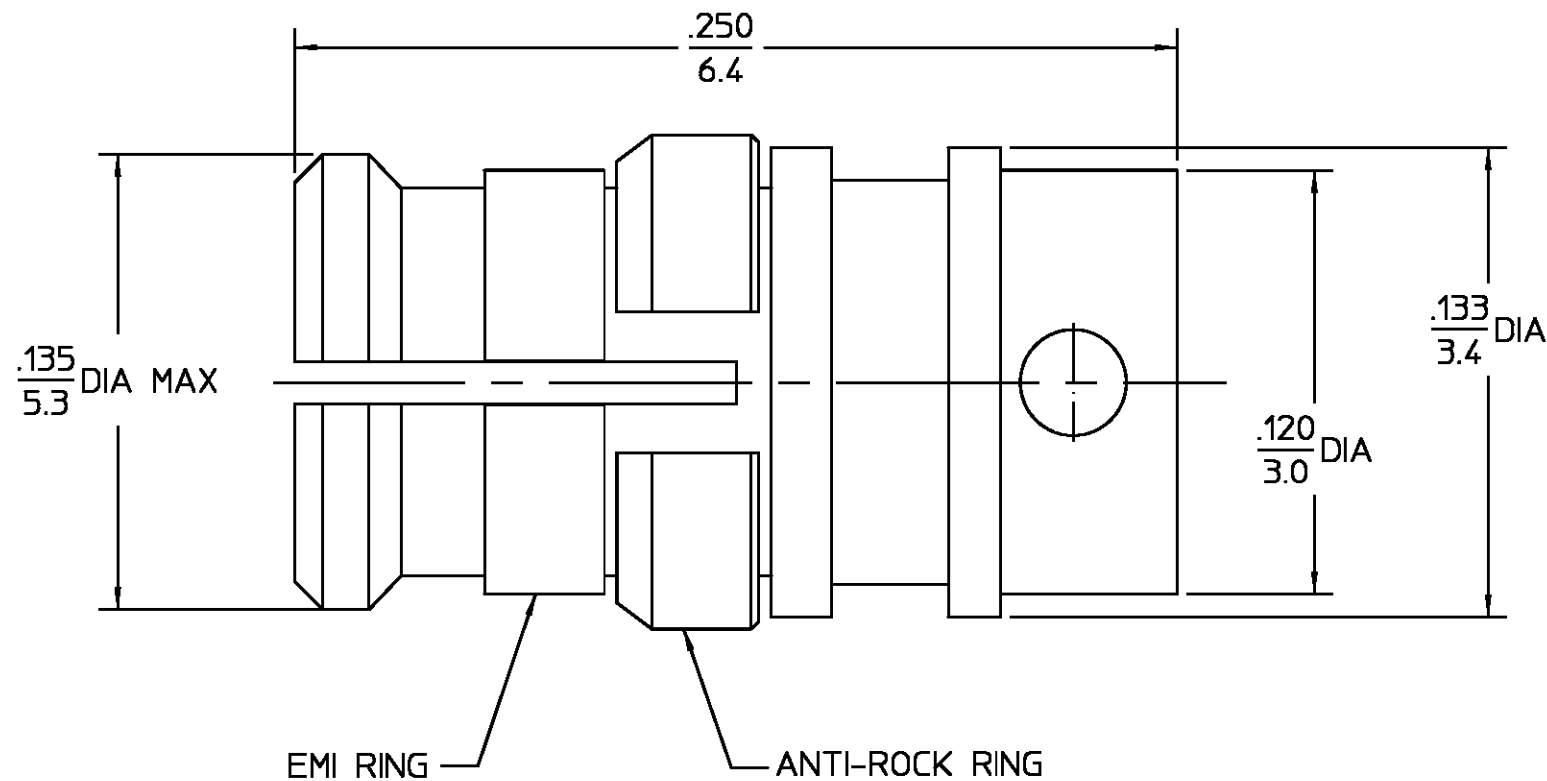


REVISIONS			
REV	DESCRIPTION	DATE	APPROVED
040	AP 29-004 WAS AP 29-003 PER ECN 95-0167	4/21/95	MJ



DESIGNED FOR USE WITH .085DIA SEMI-RIGID CABLE CABLE ENTRY DIAMETER MINIMUM	
HOUSING	.089
CONTACT	.021

ELECTRICAL	MECHANICAL	ENVIRONMENTAL
Nominal Impedance (Ohms) <u>50 ±1</u>	Force to Engage (Lbs MAX) <u>15</u>	Temperature Rating <u>-65° to +125°C</u>
Frequency Range (GHz) <u>DC to 40</u>	Disengage (Lbs) <u>2.0 MIN</u>	Vibration MIL-STD-202, Method 204, Condition D
Volt Rating (VRMS MAX) @ Sea Level <u>335</u>	Center Contact Retention: <u>N/A</u>	Thermal Shock MIL-STD-202, Method 107, Condition B
VSWR <u>1.15 MAX @ 26.5 GHz</u>	Cable Retention: Axial: <u>30 Lbs. Min.</u>	Corrosion - MIL-STD-202, Method 101, Condition B
Insertion Loss <u>.012√F</u> GHz (dB min)	Rotational: <u>16 In. Oz.</u>	
Corona, 70,000 Ft (VRMS MIN) <u>190</u>		
Dielectric Withstanding Voltage (VRMS MIN) @ Sea Level <u>500</u>		
Contact Resistance (Milliohms MAX)		
Center Contact <u>3.0</u>		
Outer Contact <u>2.0</u>		
Cable to Housing <u>0.5</u>		
RF High Potential @ Sea Level (VRMS MIN @ 5 MHz) <u>325</u>		
I.R.(Megohms MIN) <u>5,000</u>		

HOUSING CENTER CONTACT ANTI-ROCK RING DIELECTRIC	BERYLLIUM COPPER PER ASTM B 196, ALLOY C17300, CONDITION H TFE FLUOROCARBON PER ASTM-D-1457	GOLD PLATE PER MIL-G-45204 N/A	
COMPONENT	MATERIAL	FINISH	
UNLESS OTHERWISE SPECIFIED DIMENSIONS ARE IN INCHES TOLERANCE ON	DRAWN BY <i>PLC</i> DATE <u>11/8/91</u>	AMP Incorporated 140 Fourth Avenue Waltham, MA 02451-7599	
FRAC. DEC. ANGLES ± 1/64 ±.005 ± °	CHECKED BY <i>PLC</i>		
These drawings and specifications are the property of Omni Spectra Incorporated and shall not be reproduced or copied or used in whole or in part as the basis for the manufacture or sale of item(s) without written permission.	APPD BY <i>PLC</i> DATE <u>11/12/93</u>	AMP	
	USE ASS'Y PROCEDURE		TITLE <u>OSMP STRAIGHT CABLE JACK DIRECT SOLDER ATTACHMENT</u>
	NO. AP. <u>408-04741 29-004</u>		SIZE <u>B</u> CODE IDENT NO. <u>26805</u> 2902-7985-62 REV <u>040</u>
	SCALE <u>20:1</u>	SHEET <u>1 OF 1</u>	

.XXX = in
XX.X = mm