

NOTES:

1. MATERIALS:

- CONNECTOR HOUSING: HIGH TEMPERATURE THERMOPLASTIC GLASS FILLED, UL 94V-0
- EMI CAGE: NICKEL SILVER ALLOY
- EMI FINGERS: COPPER ALLOY
- TERMINALS: COPPER ALLOY
- LIGHT PIPES: HALOGEN FREE, CLEAR POLYCARBONATE

2. FINISHES:

- EMI FINGERS: 0.50μM NICKEL
- CONTACT AREA: 0.76μM MIN GOLD OVER 2.54μM MIN NICKEL
- TAIL AREA: 0.76μM-1.52μM TIN OVER 2.54μM MIN NICKEL

3. PRODUCT SPECIFICATION: PS-76866-001

4. PACKAGING SPECIFICATION: PK-76866-002

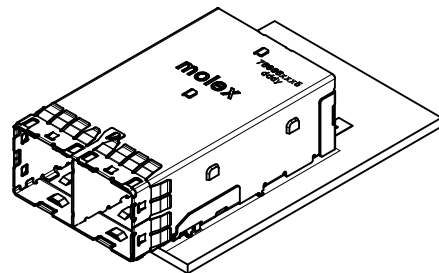
- CONNECTORS WILL BE IN ONE BOX
- LIGHT PIPES ASSEMBLIES WILL BE IN ONE BOX
- BOTH BOXES WILL BE IN A MASTER CARTON

5. MATES WITH: MOLEX CABLE SERIES 111068 & 111073

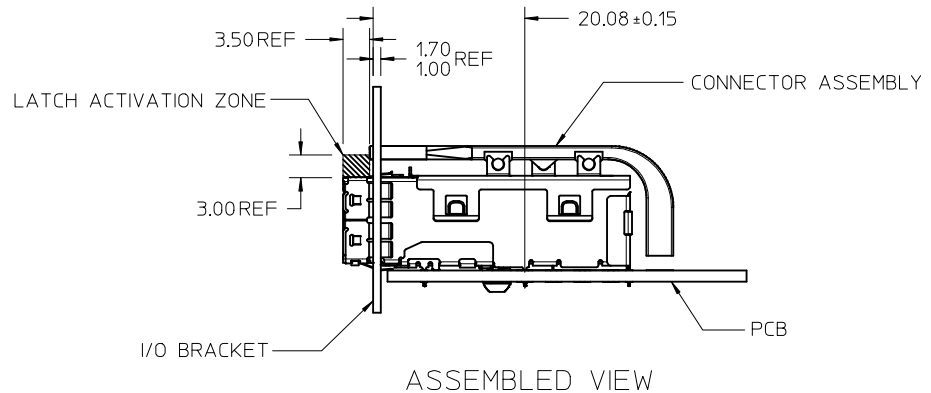
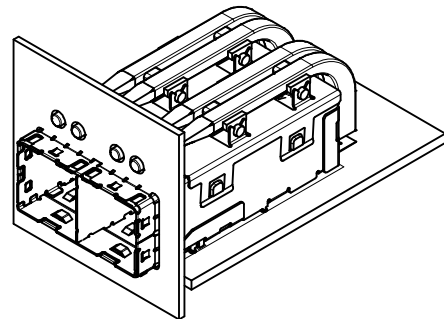
6. RECOMMENDED MOUNTING HARDWARE: REFER TO APPLICATION SPECIFICATION AS-76866-001

7. PLUG MODULE PCB LAYOUT REFER TO SD-76866-9900

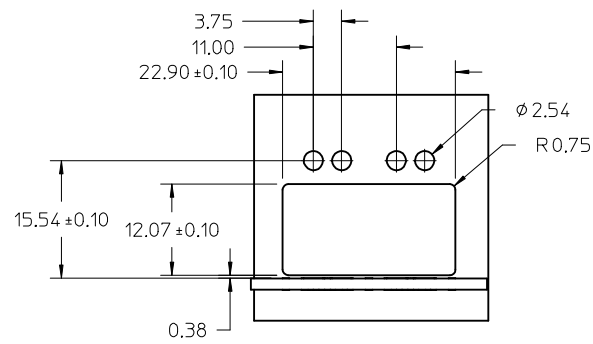
REV'D NOTES IEC NO: UCP2015-5060 DRW:KCALLAGHAN 2015/06/01 CHKD:TMCCLELLAND 2015/06/03 APPR:TMCCLELL 2015/06/18	QUALITY SYMBOLS	GENERAL TOLERANCES (UNLESS SPECIFIED)		DIMENSION STYLE	SCALE	DESIGN UNITS	THIRD ANGLE PROJECTION
		mm	INCH	MM ONLY	2:1	METRIC	
	▽=0	4 PLACES ± ---	± ---	DRAWN BY	DATE	IPASS PLUS HD 1X2 ASSEMBLY LIGHT PIPE 	
	▽=0	3 PLACES ± ---	± ---	CHECKED BY	DATE		
▽=0	2 PLACES ± 0.13	± ---	APPROVED BY	DATE			
▽=0	1 PLACE ± 0.25	± ---	MATERIAL NO.	DATE			
		0 PLACE ±	±	76866-0125	2010/01/14	DOCUMENT NO.	
		ANGULAR ±1/2°		76866-0125		SD-76866-025	SHEET NO.
		DRAFT WHERE APPLICABLE MUST REMAIN WITHIN DIMENSIONS		SIZE	THIS DRAWING CONTAINS INFORMATION THAT IS PROPRIETARY TO MOLEX. INCORPORATED AND SHOULD NOT BE USED WITHOUT WRITTEN PERMISSION		1 OF 5



AS APPLIED TO PCB

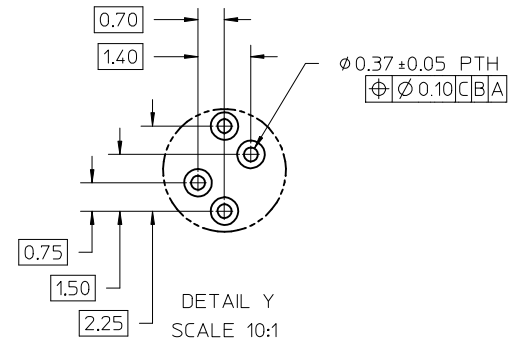
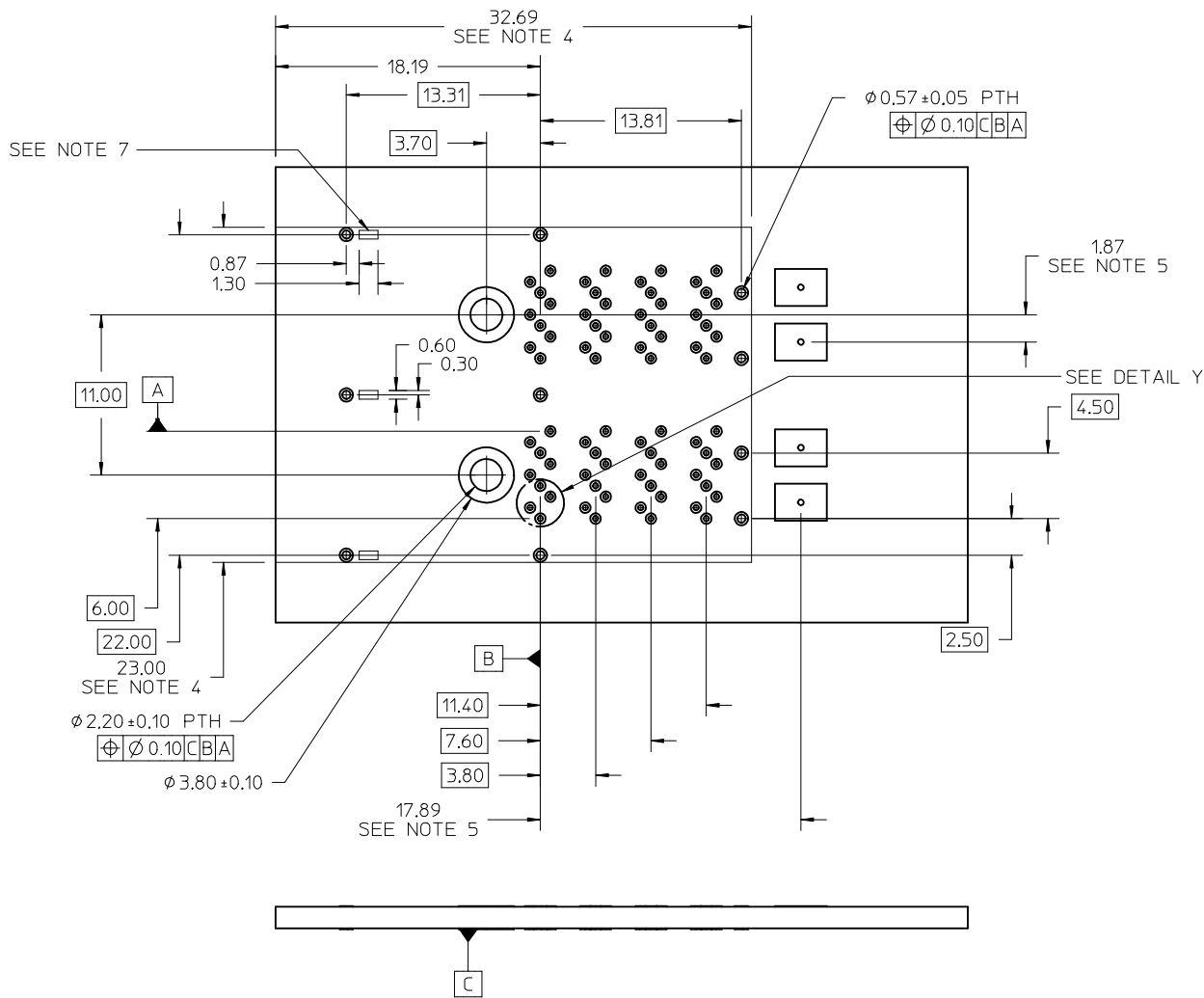


ASSEMBLED VIEW



I/O BRACKET CUT OUT
(BRACKET NOT SUPPLIED)

SEE SHEET 1 IEC NO: UCP2015-5060 DRINKKALLAGHAN 2015/06/01 CHKD:TMCCLELLAND 2015/06/03 APPR:TMCCLELL 2015/06/18	QUALITY SYMBOLS ▽=0 ▽=0 ▽=0	GENERAL TOLERANCES (UNLESS SPECIFIED) mm INCH 4 PLACES ± --- ± --- 3 PLACES ± --- ± --- 2 PLACES ± 0.13 ± --- 1 PLACE ± 0.25 ± --- 0 PLACE ± ±	DIMENSION STYLE MM ONLY DRAWN BY DATE KLANG 2009/06/02 CHECKED BY DATE TMCCLELLAND 2013/10/16 APPROVED BY DATE MBANAKIS 2010/01/14	SCALE 2:1 TITLE IPASS PLUS HD 1X2 ASSEMBLY LIGHT PIPE moLEX	DESIGN UNITS METRIC THIRD ANGLE PROJECTION	MATERIAL NO. SEE SHEET 1	DOCUMENT NO. SD-76866-025	SHEET NO. 2 OF 5	
	DRAFT WHERE APPLICABLE MUST REMAIN WITHIN DIMENSIONS	ANGULAR ±1/2°	THIS DRAWING CONTAINS INFORMATION THAT IS PROPRIETARY TO MOLEX INCORPORATED AND SHOULD NOT BE USED WITHOUT WRITTEN PERMISSION						
	REV D6								



- NOTES:
1. RECOMMENDED DRILL SIZE AND ANNULAR RING FOR 0.37 ϕ FINISHED PTH - REFER TO APPLICATION SPECIFICATION AS-76866-001
 2. MINIMUM RECOMMENDED SPACING IS 25.00MM
 3. MINIMUM PCB THICKNESS: 1.57MM
 4. CONNECTOR KEEP OUT AREA
 5. LOCATION OF LED CENTERLINE
 6. RECOMMENDED DRILL SIZE AND ANNULAR RING FOR 0.57 ϕ FINISHED PTH - REFER TO APPLICATION SPECIFICATION AS-76866-001
 7. CAGE STAND OFF AREA, NO TRACES ON SURFACE OF PCB IN THESE AREAS

RECOMMENDED FOOTPRINT

SEE SHEET 1 EC NO: UCP2015-5060 DRINKKALLAGHAN 2015/06/01 CHKD:TMCCLELLAND 2015/06/03 APPR:TMCCLELL 2015/06/18 D6	DESCRIPTION REV:	QUALITY SYMBOLS $\nabla = 0$ $\nabla = 0$ $\nabla = 0$	GENERAL TOLERANCES (UNLESS SPECIFIED)		DIMENSION STYLE MM ONLY	SCALE 4:1	DESIGN UNITS METRIC	THIRD ANGLE PROJECTION		
			mm	INCH	DRAWN BY KLANG	DATE 2009/06/02	TITLE IPASS PLUS HD 1X2 ASSEMBLY LIGHT PIPE molex			
			4 PLACES \pm ---	\pm ---	CHECKED BY TMCCLELLAND	DATE 2013/10/16				
			ANGULAR $\pm 1/2^\circ$		MATERIAL NO.	DOCUMENT NO.	SHEET NO.		THIS DRAWING CONTAINS INFORMATION THAT IS PROPRIETARY TO MOLEX INCORPORATED AND SHOULD NOT BE USED WITHOUT WRITTEN PERMISSION	
DRAFT WHERE APPLICABLE MUST REMAIN WITHIN DIMENSIONS		SEE SHEET 1	SD-76866-025	3 OF 5						

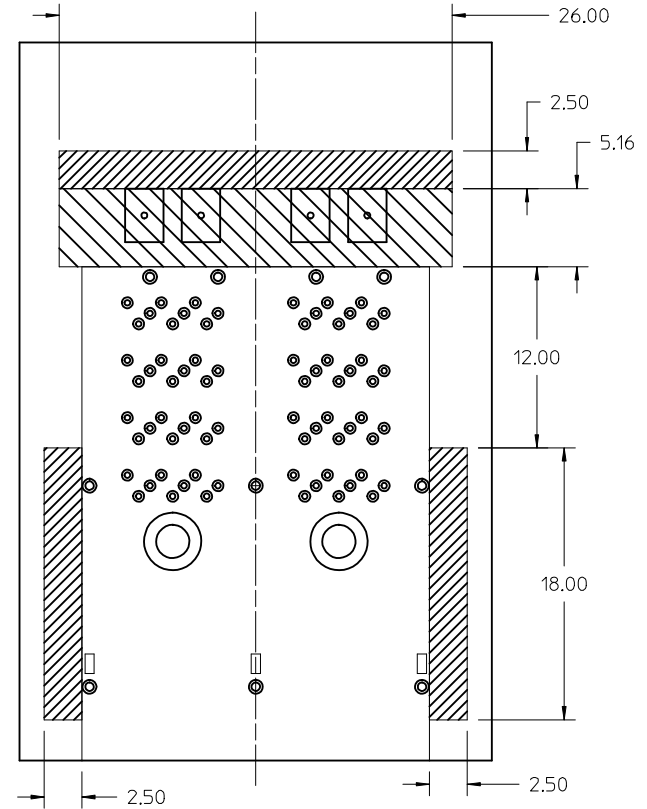
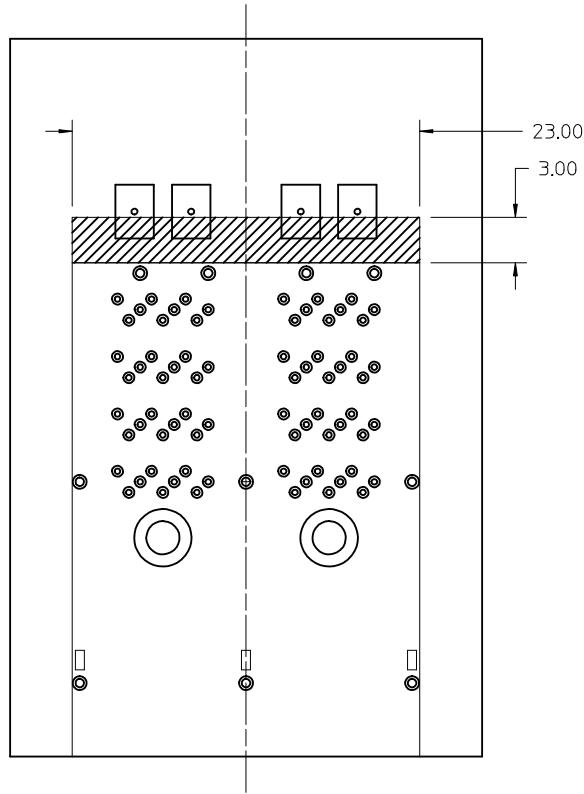
RECOMMENDED TOOLING KEEP OUT AREAS

RECOMMENDED INSERTION TOOL
KEEP OUT AREA

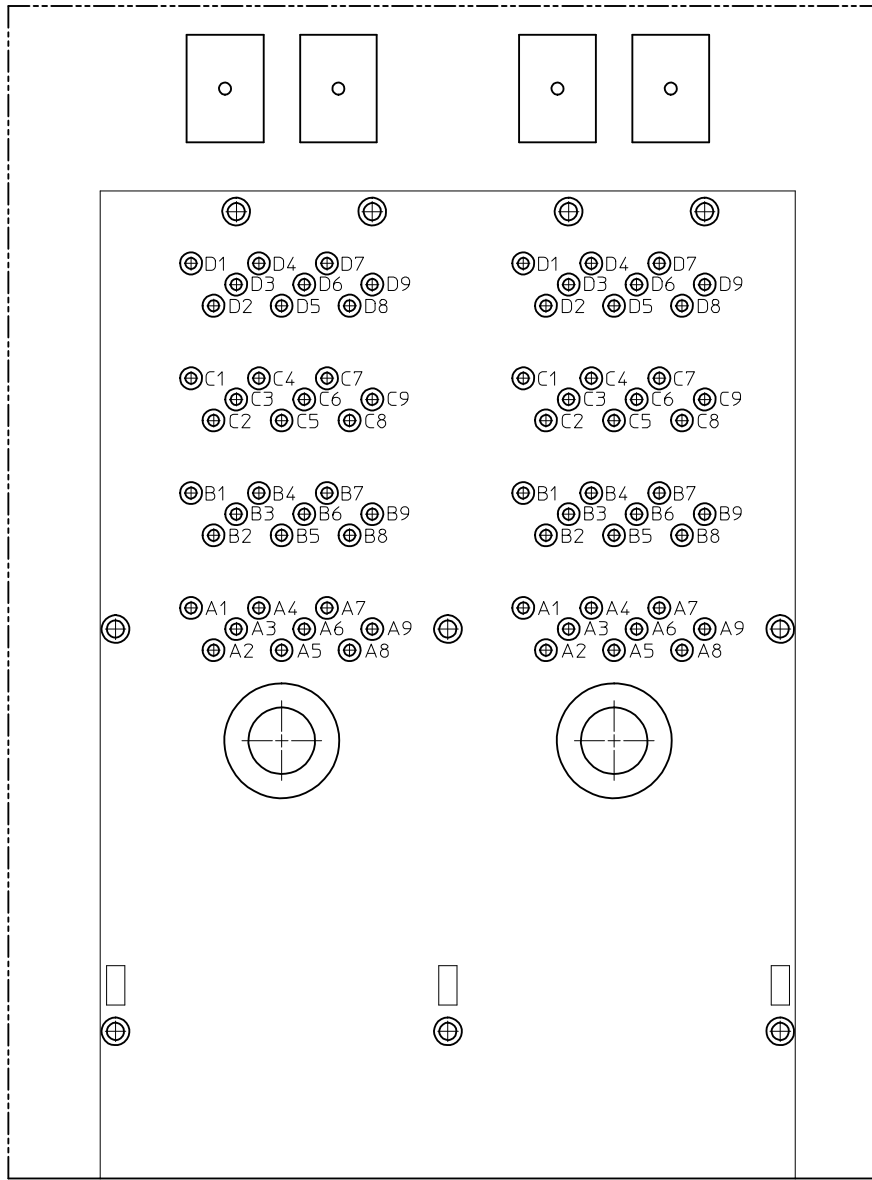
NO COMPONENTS IN THIS AREA
MORE THAN 7.50 mm TALL

RECOMMENDED EXTRACTION TOOL
KEEP OUT AREA

NO COMPONENTS IN THESE AREAS
MORE THAN 5.00 mm TALL



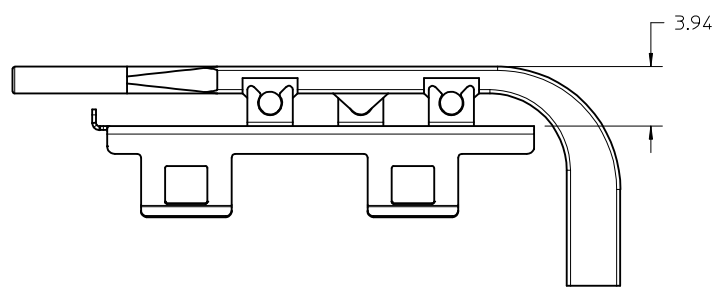
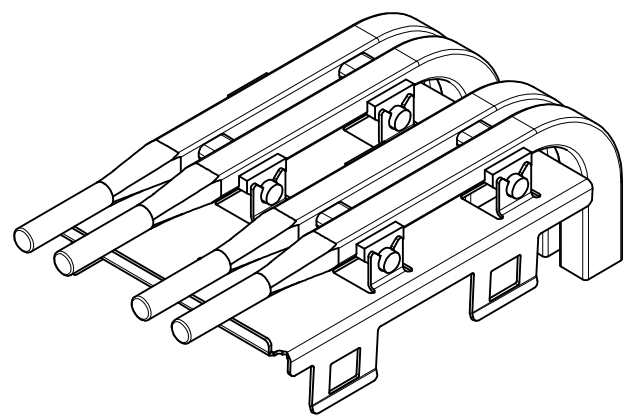
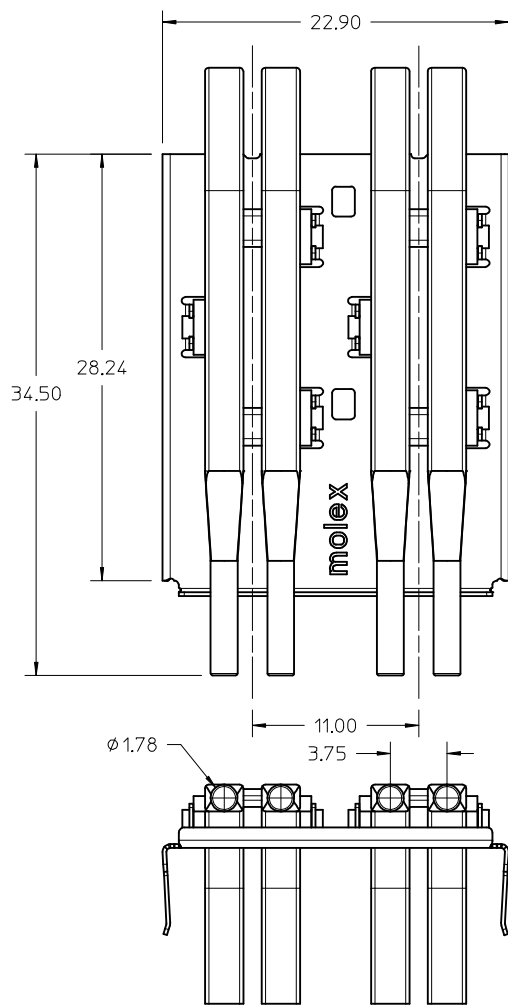
SEE SHEET 1 EC NO: UCP2015-5060 DRWN: KCALLAGHAN 2015/06/01 CHKD: TMCCLELLAND 2015/06/03 APPR: TMCCLELL 2015/06/18	QUALITY SYMBOLS	GENERAL TOLERANCES (UNLESS SPECIFIED) mm INCH 4 PLACES ± --- ± --- 3 PLACES ± --- ± --- 2 PLACES ± 0.13 ± --- 1 PLACE ± 0.25 ± --- ANGULAR ± 1/2°	DIMENSION STYLE MM ONLY	DRAWN BY KLANG	DATE 2009/06/02	SCALE 4:1	DESIGN UNITS METRIC	THIRD ANGLE PROJECTION	
	▽ = 0		▽ = 0	▽ = 0	DRAWN BY	DATE	IPASS PLUS HD 1X2 ASSEMBLY LIGHT PIPE		
	▽ = 0		▽ = 0	▽ = 0	CHECKED BY	DATE			
	▽ = 0		▽ = 0	▽ = 0	APPROVED BY	DATE	MATERIAL NO.	DOCUMENT NO.	SHEET NO.
D6	REV	DESCRIPTION	DRAFT WHERE APPLICABLE MUST REMAIN WITHIN DIMENSIONS	SEE SHEET 1		SD-76866-025		4 OF 5	
THIS DRAWING CONTAINS INFORMATION THAT IS PROPRIETARY TO MOLEX INCORPORATED AND SHOULD NOT BE USED WITHOUT WRITTEN PERMISSION									



CIRCUIT IDENTIFICATION

Partial1
SCALE 8:1

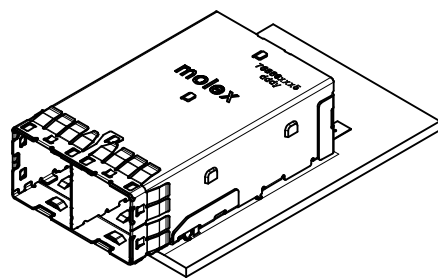
SEE SHEET 1 EC NO: UCP2015-5060 DRINKKALLAGHAN 2015/06/01 CHKD: TMCCLELLAND 2015/06/03 APPR: TMCCLELL 2015/06/18	QUALITY SYMBOLS ▽=0 ▽=0 ▽=0	GENERAL TOLERANCES (UNLESS SPECIFIED) mm INCH 4 PLACES ± --- ± --- 3 PLACES ± --- ± --- 2 PLACES ± 0.13 ± --- 1 PLACE ± 0.25 ± --- 0 PLACE ± ±	DIMENSION STYLE MM ONLY DRAWN BY DATE KLANG 2009/06/02 CHECKED BY DATE TMCCLELLAND 2013/10/16 APPROVED BY DATE MBANAKIS 2010/01/14	SCALE 8:1 DESIGN UNITS METRIC THIRD ANGLE PROJECTION	TITLE IPASS PLUS HD 1X2 ASSEMBLY LIGHT PIPE molex	MATERIAL NO. SEE SHEET 1 DOCUMENT NO. SD-76866-025	SHEET NO. 5 OF 5
	DRAFT WHERE APPLICABLE MUST REMAIN WITHIN DIMENSIONS	ANGULAR ±1/2°	THIS DRAWING CONTAINS INFORMATION THAT IS PROPRIETARY TO MOLEX INCORPORATED AND SHOULD NOT BE USED WITHOUT WRITTEN PERMISSION				
	REV D6	DESCRIPTION	SIZE C				



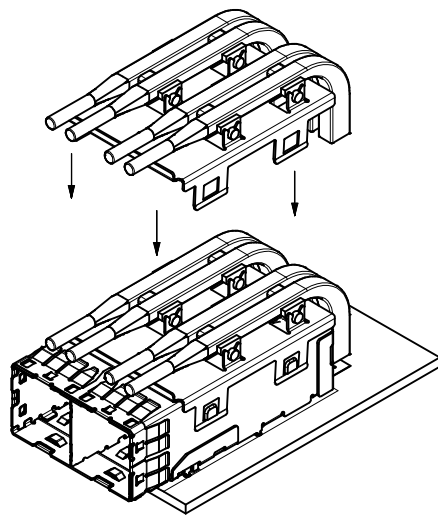
NOTES:

1. MATERIALS:
 LIGHT PIPE: HALOGEN FREE, CLEAR POLYCARBONATE
 COVER: STAINLESS STEEL ALLOY
2. PACKAGING SPECIFICATION: PK-76994-001
3. MATES WITH: 76866-00*5

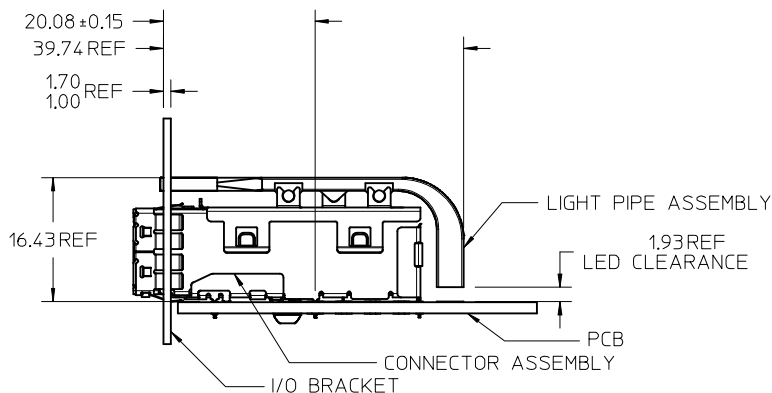
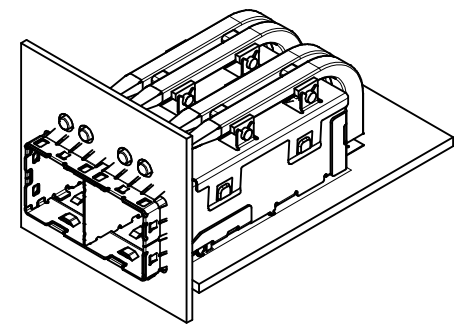
UPDATED MATL SPEC EC NO: UCP2014-1665 DRWN:TMCCLELL 2013/10/15 CHKD:TMCCLELLAND 2013/10/16 APPR:MBANAKIS 2013/10/17	QUALITY SYMBOLS ∇=0 ∇=0 ∇=0	GENERAL TOLERANCES (UNLESS SPECIFIED)		DIMENSION STYLE	SCALE	DESIGN UNITS	THIRD ANGLE PROJECTION	
				MM ONLY	4:1	METRIC		
				DRAWN BY	DATE	TITLE		
				CHECKED BY	DATE	IPASS PLUS HD 1X2 LIGHT PIPE & CLIP ASSEMBLY		
				APPROVED BY	DATE	molex		
				MBANAKIS	2010/01/14	DOCUMENT NO. SD-76994-003		
				MATERIAL NO. 76994-0003		SHEET NO. 1 OF 2		
				DRAFT WHERE APPLICABLE MUST REMAIN WITHIN DIMENSIONS				
				THIS DRAWING CONTAINS INFORMATION THAT IS PROPRIETARY TO MOLEX INCORPORATED AND SHOULD NOT BE USED WITHOUT WRITTEN PERMISSION				



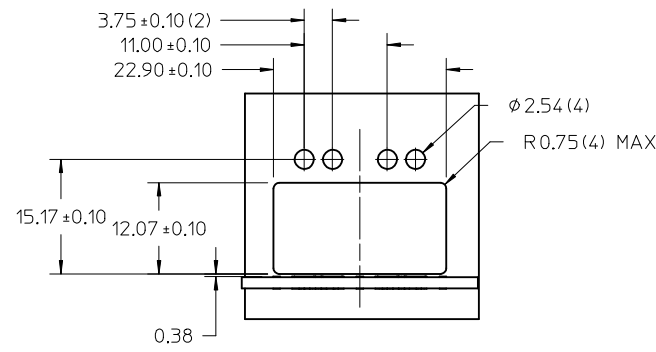
CONNECTOR AS APPLIED TO PCB



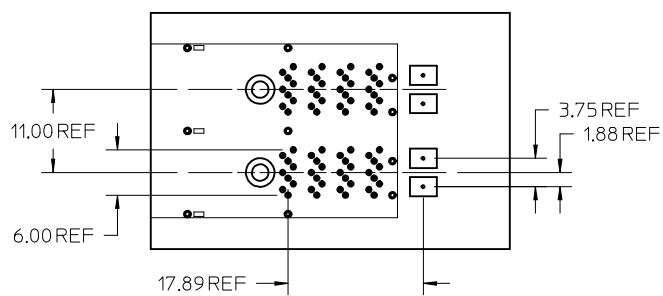
LIGHT PIPES AS APPLIED TO CONNECTOR



ASSEMBLED VIEW



I/O BRACKET CUT OUT (BRACKET NOT SUPPLIED)



SEE SHEET 1 EC NO: UCP2014-1665 DRAWN: MCLELL 2013/10/15 CHKD: MCLELLAND 2013/10/16 APPR: MBANAKIS 2013/10/17	QUALITY SYMBOLS ▽=0 ▽=0 ▽=0	GENERAL TOLERANCES (UNLESS SPECIFIED)		DIMENSION STYLE MM ONLY	SCALE 2:1	DESIGN UNITS METRIC	THIRD ANGLE PROJECTION		
		4 PLACES ± --- ± --- 3 PLACES ± --- ± --- 2 PLACES ± 0.13 ± --- 1 PLACE ± 0.25 ± ---	mm INCH	DRAWN BY DATE KLANG 2009/06/03	CHECKED BY DATE TMCCLELLAND 2013/10/16	TITLE IPASS PLUS HD 1X2 LIGHT PIPE & CLIP ASSEMBLY			
		ANGULAR ± 1/2°		APPROVED BY DATE MBANAKIS 2010/01/14	MOLEX INCORPORATED				
		DRAFT WHERE APPLICABLE MUST REMAIN WITHIN DIMENSIONS		MATERIAL NO. SEE SHEET 1	DOCUMENT NO. SD-76994-003	SHEET NO. 2 OF 2			