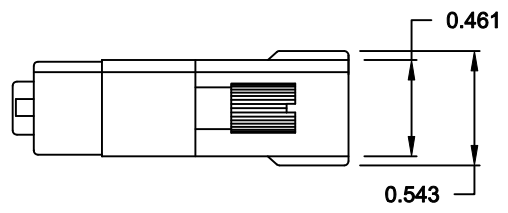
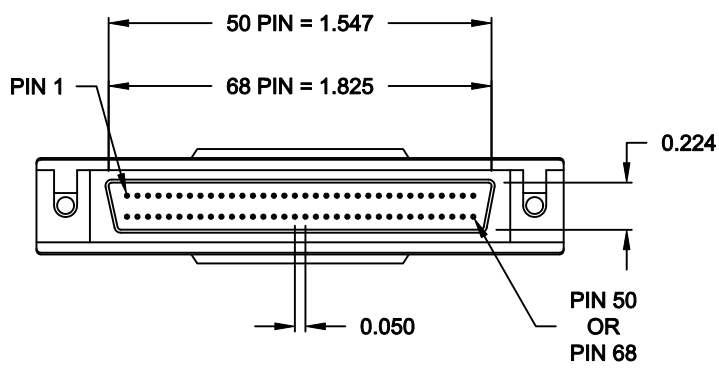
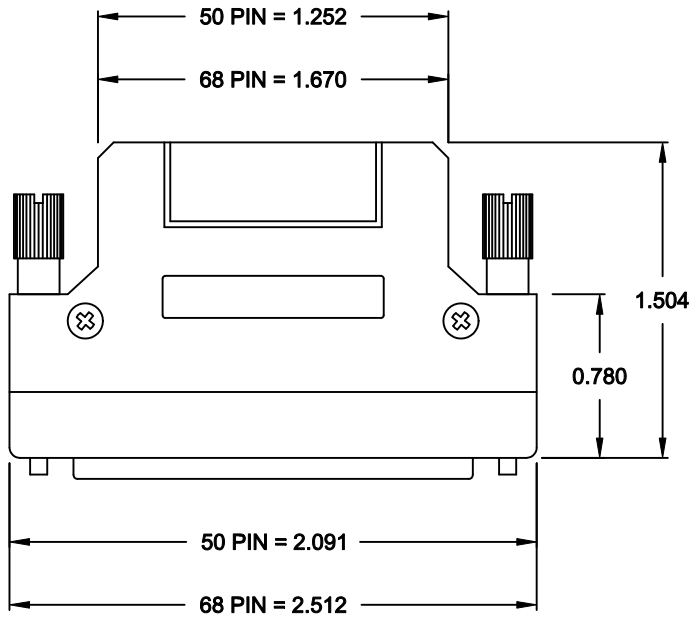


DESCRIPTION: SCS1 2 & 3 DIE CAST WITH THUMBSCREWS



SPECIFICATIONS:

- KIT INCLUDES:**
 (1) MALE CONNECTOR - SOLDER CUP
 (2) METAL SHELL HALVES
 (2) THUMBSCREWS (2-56 THREADS)
 (1) STRAIN RELIEF CLAMP
 (2) STRAIN RELIEF SCREWS
 (2) HOUSING SCREWS

MAX. CABLE DIAMETERS:
 50 POSITION = 0.433
 68 POSITION = 0.550


ELECTRICAL:
 INSULATOR RESISTANCE: 500 MegOHMS Min.
 DIELECTRIC WITHSTANDING: 500VAC r.m.s.
 OPERATING TEMPERATURE: -55° C ~ +105° C
 CONTACT RESISTANCE: 25 MillioHMS Max.
 CONTACT CURRENT RATING: 1.0 AMP

MATERIALS:
 CONTACTS: COPPER ALLOY - 30u" MATING END
 INSULATOR: HIGH TEMP PLASTIC, U.L. RATED 94V-0
 SHELL: STEEL, NICKEL OVER COPPER PLATING
 BACKSHELL: ZINC PLATED, NICKEL OVER COPPER

989-YYY-130L121

050 = 50 PINS
 068 = 68 PINS

RoHS COMPLIANT

	THESE DRAWINGS AND SPECIFICATIONS ARE THE PROPERTY OF NorComp AND SHALL NOT BE REPRODUCED, COPIED OR USED AS THE BASIS FOR THE MANUFACTURE OF SALE OF APPARATUS WITHOUT WRITTEN PERMISSION.		DRAWN: N. KOVALSKY	DATE: 03-13-08
			CHECKED: X	DATE: X
<h1>NorComp</h1>		SCALE: N.T.S.	SHEET 1 OF 1	REV 1
		DWG NO. 989-YYY-130L121		