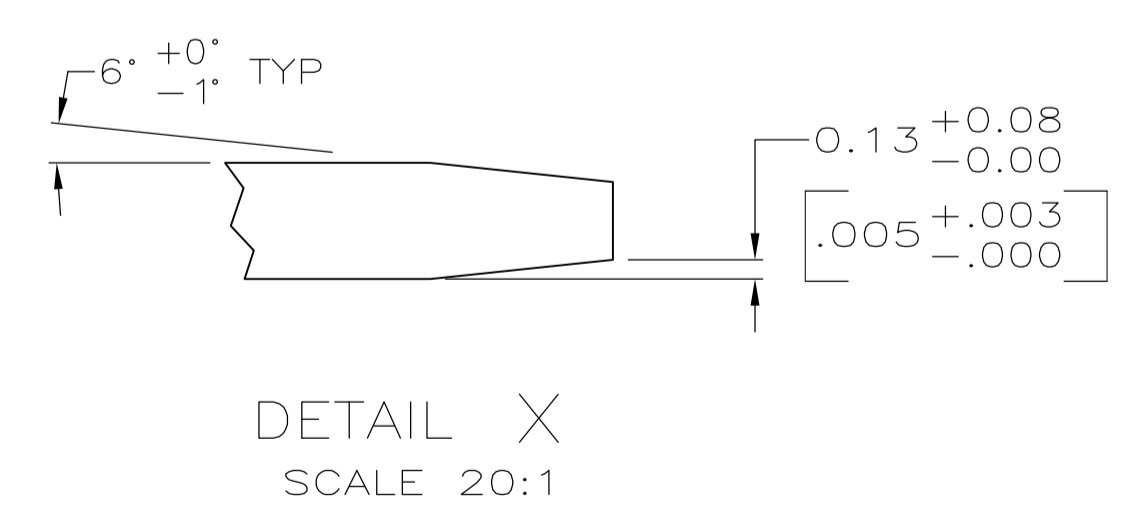
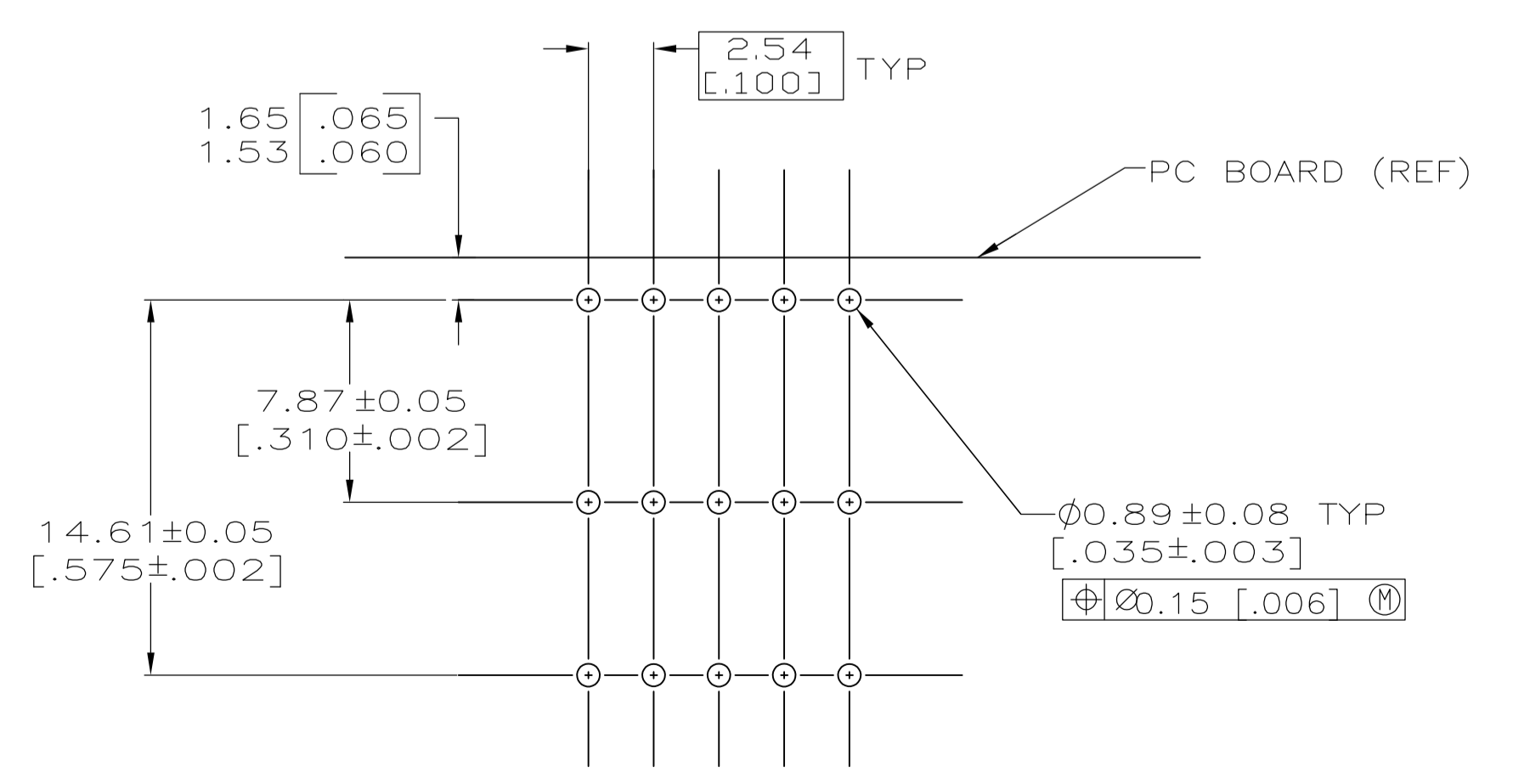
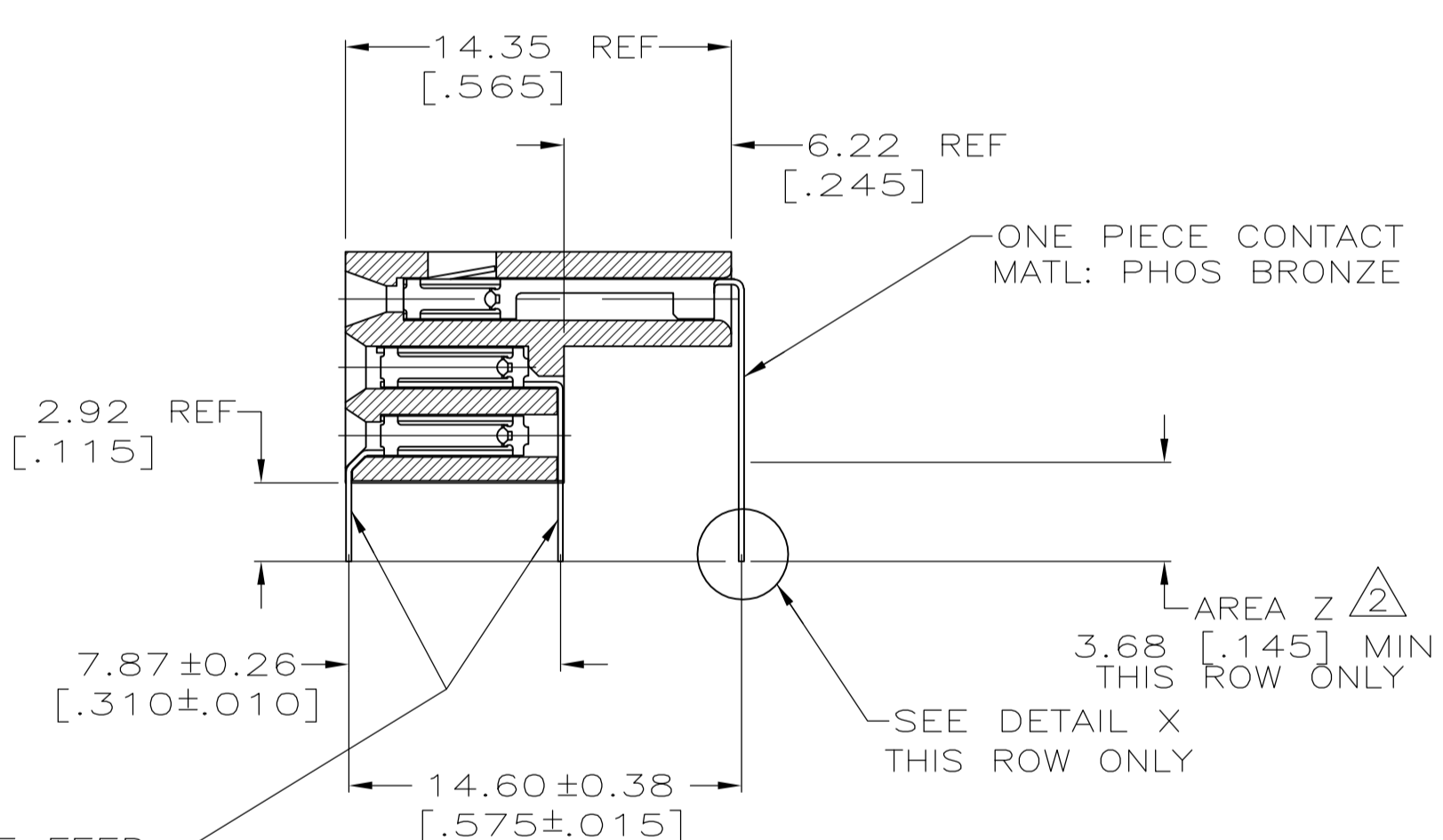
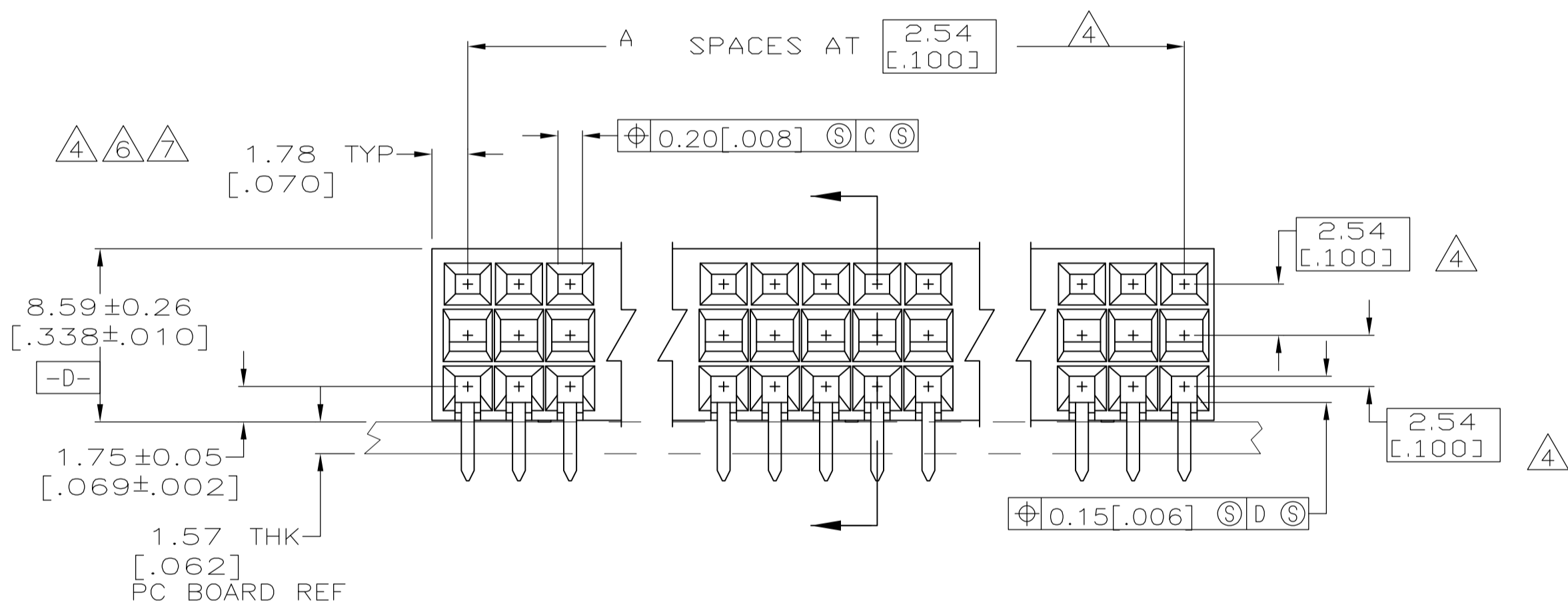
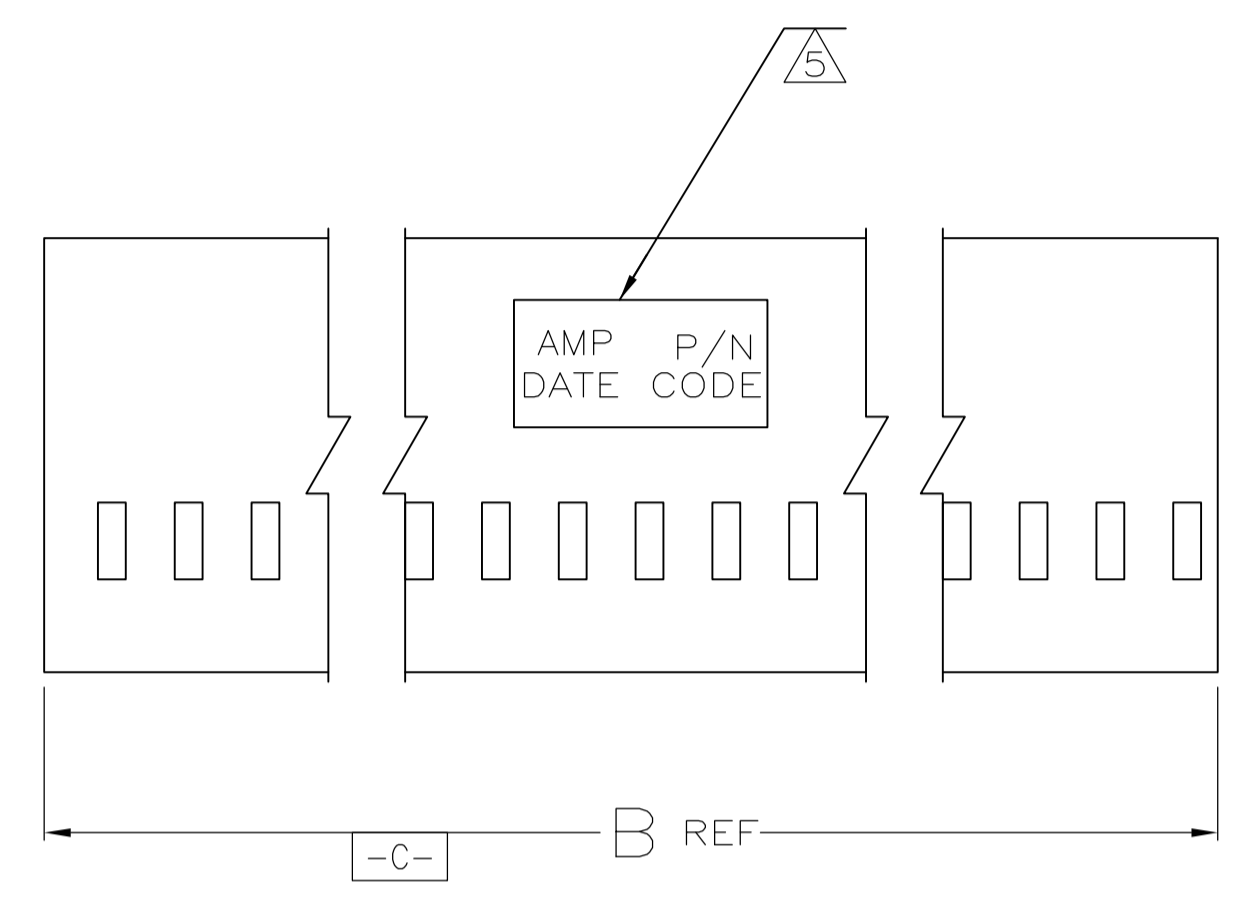


REVISIONS					
P	LTR	DESCRIPTION	DATE	OWN	APVD
K	REV PER ECO	16-011355	8-12-16	CT	MS

- ① FLAME RETARDANT THERMOPLASTIC, COLOR - BLACK
- ② 63-37 TIN-LEAD (HOT DIPPED) IN AREA "Z".
- ③ GOLD FLASH OVER .00127[.000050] NICKEL ENTIRE CONTACT .00076[.000030] GOLD IN CONTACT AREA ONLY, ALL OVER .0127 [.00050] MIN NICKEL.
- ④ THESE DIMENSIONS PERTAIN TO CAVITY CENTERLINES ONLY - NOT CONTACT LOCATIONS
- ⑤ MARK "AMP", "PART NUMBER", "DATE CODE", 1.57±0.38[.062±.015] HIGH CHARACTERS IN APPROXIMATE AREA SHOWN.
- ⑥ ONE END OF HOUSING TO BE 1.78±0.13[.070±.005] CUT END OF HOUSING TO BE 1.47±0.10[.058±.004]
- ⑦ HOUSING ON ASSEMBLIES 56 POSN AND SMALLER MAY HAVE 1.47±0.10[.058±.004] DIMENSION ON BOTH ENDS.
- 8. MARK "CSA" LOGO ON PART.



OBSOLETE	⑥ ⑦	31.19 [1.228]	11	36	2-102986-6
OBSOLETE	⑥	81.99 [3.228]	31	96	2-102986-5
	⑥	76.91 [3.028]	29	90	2-102986-4
OBSOLETE	⑥	64.21 [2.528]	24	75	2-102986-3
	⑥	61.67 [2.428]	23	72	2-102986-2
OBSOLETE	⑥	56.59 [2.228]	21	66	2-102986-1
OBSOLETE	⑥ ⑦	41.35 [1.628]	15	48	2-102986-0
OBSOLETE	⑥	79.45 [3.128]	30	93	1-102986-9
OBSOLETE	⑥ ⑦	26.11 [1.028]	9	30	1-102986-8
OBSOLETE					1-102986-7
	⑥	102.31 [4.028]	39	120	1-102986-6
OBSOLETE					1-102986-5
	⑥	84.53 [3.328]	32	99	1-102986-4
OBSOLETE	⑥	71.83 [2.828]	27	84	1-102986-3
OBSOLETE	⑥ ⑦	38.81 [1.528]	14	45	1-102986-2
OBSOLETE	⑥ ⑦	28.65 [1.128]	10	33	1-102986-1
OBSOLETE	⑥ ⑦	23.57 [.928]	8	27	1-102986-0
	⑥	59.13 [2.328]	22	69	102986-9
	⑥	54.05 [2.128]	20	63	102986-8
OBSOLETE	⑥	51.51 [2.028]	19	60	102986-7
	⑥ ⑦	46.43 [1.828]	17	54	102986-6
OBSOLETE	⑥ ⑦	43.89 [1.728]	16	51	102986-5
OBSOLETE	⑥	109.93 [4.328]	42	129	102986-4
OBSOLETE	⑥	120.09 [4.728]	46	141	102986-3
	⑥	112.47 [4.428]	43	132	102986-2
OBSOLETE		148.34 [5.840]	57	174	102986-1

REMARKS	B	A	NO OF POSN	PART NUMBER

THIS DRAWING IS A CONTROLLED DOCUMENT.

DIMENSIONS: INCHES
 TOLERANCES UNLESS OTHERWISE SPECIFIED:
 0 PLC ± -
 1 PLC ± -
 2 PLC ± 0.13 [.005]
 3 PLC ± -
 4 PLC ± -
 ANGLES ± -
 FINISH: HOUSING: ① CONTACTS: ③

DTN: KATE HELM 09/17/90
 CHK: MARIAN CLARK 09/22/90
 APVD: M. Clark 9-22-90
 NAME: ASSY HSG, MOD II 3 ROW, 100 C/L
 PRODUCT SPEC: -
 APPLICATION SPEC: -
 SIZE: A1 CAGE CODE: 00779 DRAWING NO: 102986
 WEIGHT: 0.000000
 CUSTOMER DRAWING: -
 SCALE: 4:1 SHEET: 1 OF 1 REV: K

STE TE Connectivity
 RESTRICTED TO