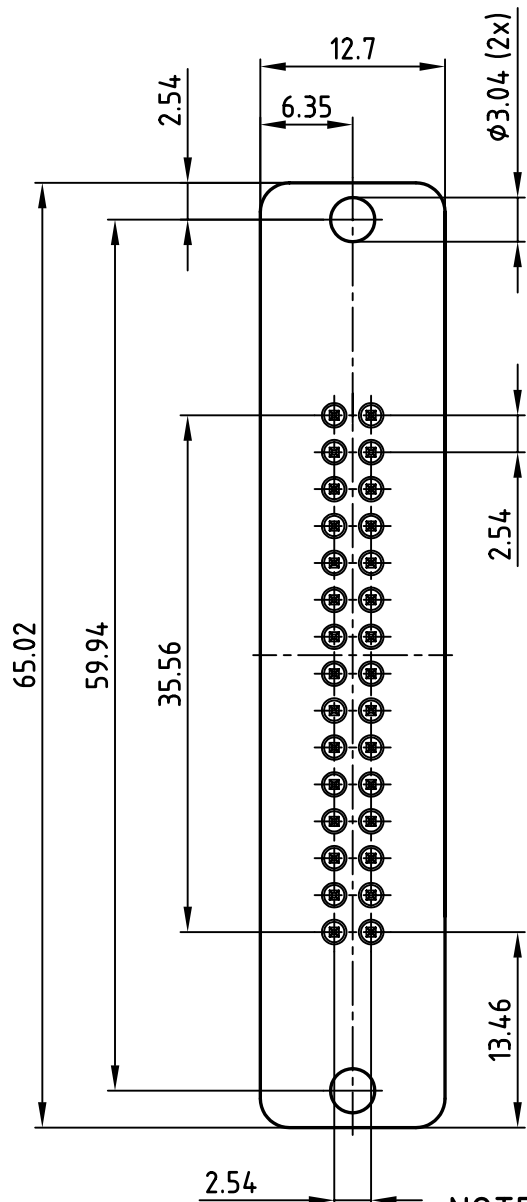
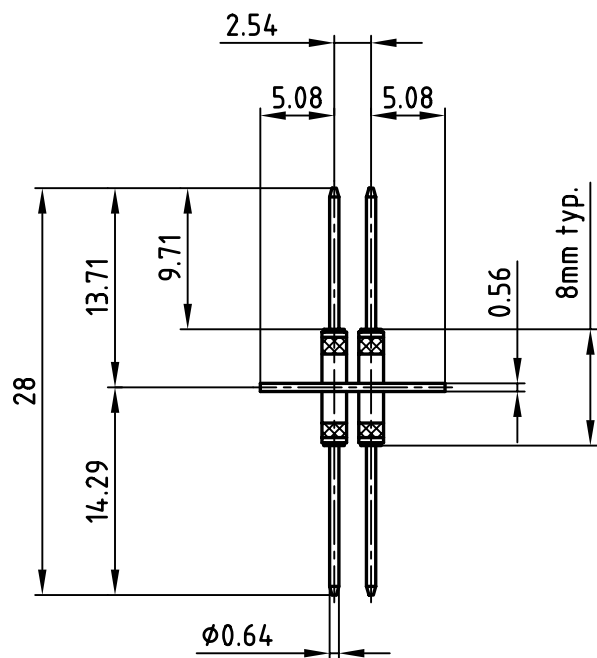


used for: FILTER PLATES



Directive 2002/95/EC
"RoHS"
Compliant

APPROVAL # FREIGABE # DEBLOCAGE # AUTORIZACION # APPROVAL	
CUSTOMER APPROVAL DATE:	
NAME:	TITLE:
COMPANY NAME:	
APPROVAL # FREIGABE # DEBLOCAGE # AUTORIZACION # APPROVAL	

NOTES:

1. BASE PLATE: COPPER ALLOY
2. PLATING BASE PLATE: min. 315µm dull TIN over 40-80µm NICKEL
3. CONTACT FINISH: 30µm GOLD PLATING over 50µm NICKEL
4. WORKING VOLTAGE: 100 V DC
5. CURRENT RATING: 5A
6. INSULATION RESISTANCE: 10 GΩ min. @ 100 V DC
7. CAPACITANCE: 470pF ±20%
8. OPERATING TEMPERATURE: -55°C to +125°C

THIS DRAWING MAY NOT BE COPIED OR REPRODUCED IN ANY WAY, AND MAY NOT BE PASSED ON TO A THIRD PARTY WITHOUT WRITTEN PERMISSION.
OWNERSHIP AND COPYRIGHT OF CONEC GmbH
DO NOT ALTER CAD DRAWING BY HAND

rev.	description	date	name	tolerance	dim. in mm
2010	date		name		
drawn	11.02.		Lehmenkühler		
appd.	11.02.		Fischer		
norm					
d-old					
a	Origin				



scale:	2:1
material:	SEE NOTES
title:	FILTER PLATE 2-ROW LEAD SPACING 2.54mm round contact straight / 15 filter per row
dwg no:	AutoCAD 2006
part no:	24K1A1232
	DIN-A 4 sh: 1/1
	CFP1C215C4711X

4

3

2

1