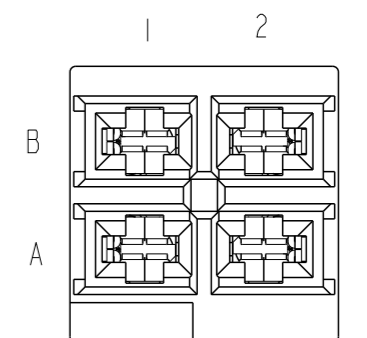
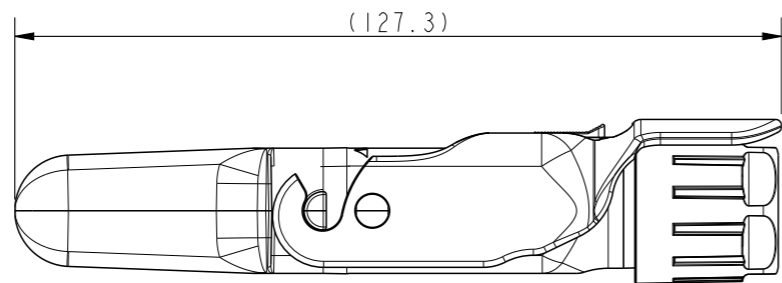
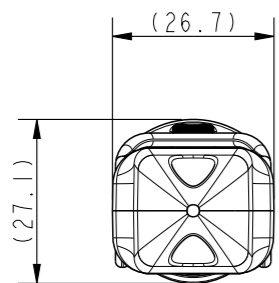


PLUG KIT PART NUMBER
SEE TABLE

OCTIS PLUG KIT, 2X2 POWER FIELD TERMINABLE, 26 MM PITCH



CONNECTOR FRONT VIEW



SCALE 4:5

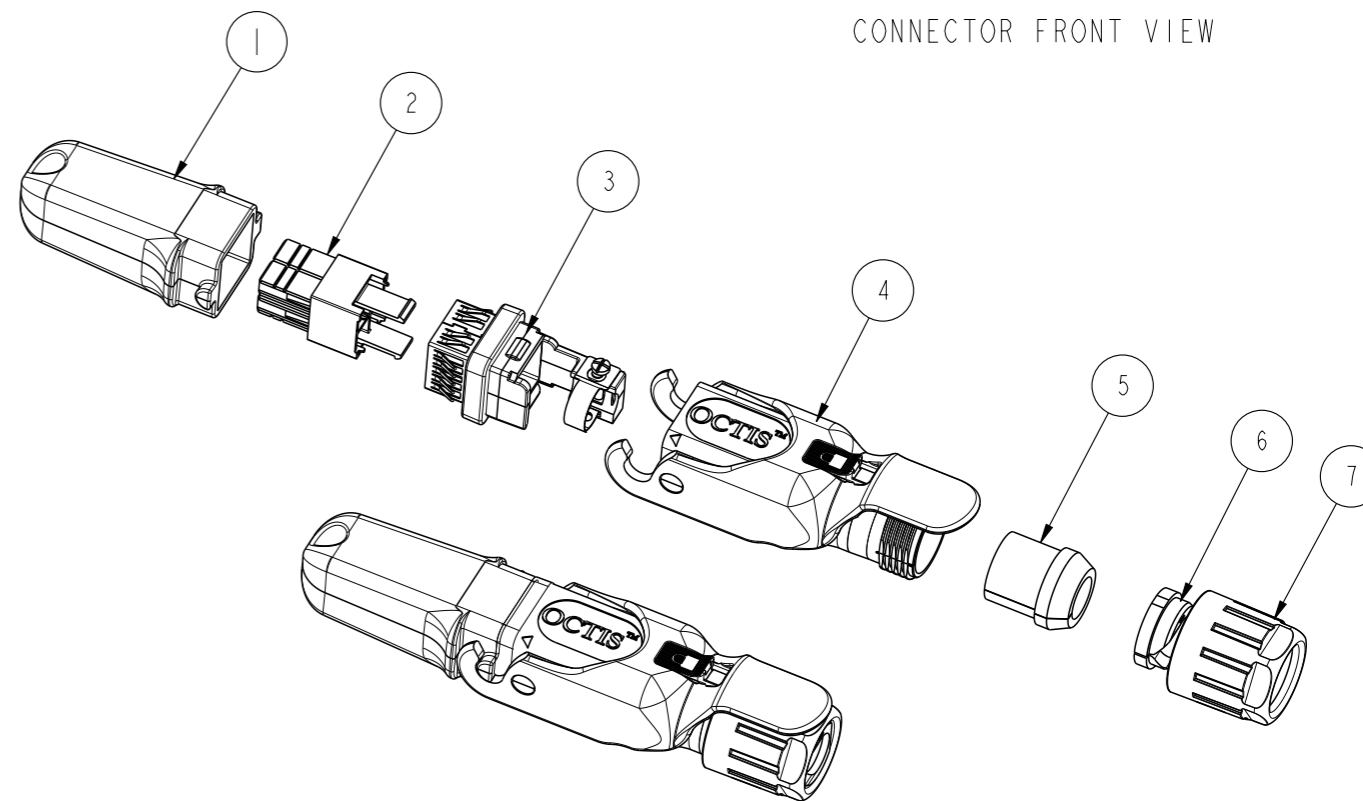


TABLE 1

SL NO.	COMPONENT	MATERIALS	REMARKS
1	PLUG CAP	PBT GF	-
2	CABLE CONNECTOR	-	-
3	HOLDER SUBSET KIT	-	PASSIVATED
4	HOUSING SUBSET KIT	-	-
5	RUBBER GLAND	NBR	-
6	TIGHTENING CONE	PA	-
7	GLAND NUT	PBT GF	COLOUR GREEN

TABLE 2

CABLE CONNECTOR KIT/PIN	ROW	COLUMN		WIRE DIA
		1	2	
10139481-101LF	B	X	X	1.5 SQ MM-2.5 SQ MM (AWG 16- AWG 14)
	A	X	X	
10139481-102LF	B	-	X	
	A	X	X	

spec ref	dr	Jibin John	2016/12/02	projection	mm	size	A3	scale	1:1
tolerance std	eng	Jibin John	2016/12/12			ecn no	-	rel level	Released
ISO 406 ISO 1101	chr	-	-						
surface	TOLERANCES UNLESS OTHERWISE SPECIFIED		OCTIS PLUG KIT- 2X2 PWR FIELD TERMINABLE, 26 MM PITCH	product family	dwg no 10139481	rev A	cat. no. - Product - Customer Drw sheet 1 of 1		
							linear	0.X	±0.3
							angular	0°	±2°

Amphenol
FCi

© 2016 AFCI