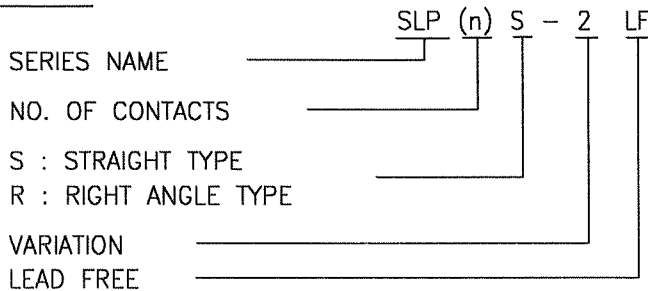


CAT. NO. & DIMENSIONS

NO. OF CONTACTS	STRAIGHT TYPE CAT. NO.	RIGHT ANGLE TYPE CAT. NO.	DIMENSIONS(NOTE1)	
			A ±0.3	B ±0.1
4	SLP 4 S - 2 LF	SLP 4 R - 2 LF	11.15	6.45
5	SLP 5 S - 2 LF	SLP 5 R - 2 LF	12.40	7.70
6	SLP 6 S - 2 LF	SLP 6 R - 2 LF	13.65	8.95
7	SLP 7 S - 2 LF	SLP 7 R - 2 LF	14.90	10.20
8	SLP 8 S - 2 LF	SLP 8 R - 2 LF	16.15	11.45
9	SLP 9 S - 2 LF	SLP 9 R - 2 LF	17.40	12.70
10	SLP 10S - 2 LF	SLP 10R - 2 LF	18.65	13.95
11	SLP 11S - 2 LF	SLP 11R - 2 LF	19.90	15.20
12	SLP 12S - 2 LF	SLP 12R - 2 LF	21.15	16.45
13	SLP 13S - 2 LF	SLP 13R - 2 LF	22.40	17.70
14	SLP 14S - 2 LF	SLP 14R - 2 LF	23.65	18.95
15	SLP 15S - 2 LF	SLP 15R - 2 LF	24.90	20.20
16	SLP 16S - 2 LF	SLP 16R - 2 LF	26.15	21.45
17	SLP 17S - 2 LF	SLP 17R - 2 LF	27.40	22.70
18	SLP 18S - 2 LF	SLP 18R - 2 LF	28.65	23.95
19	SLP 19S - 2 LF	SLP 19R - 2 LF	29.90	25.20
20	SLP 20S - 2 LF	SLP 20R - 2 LF	31.15	26.45

CAT. NO.



NOTES

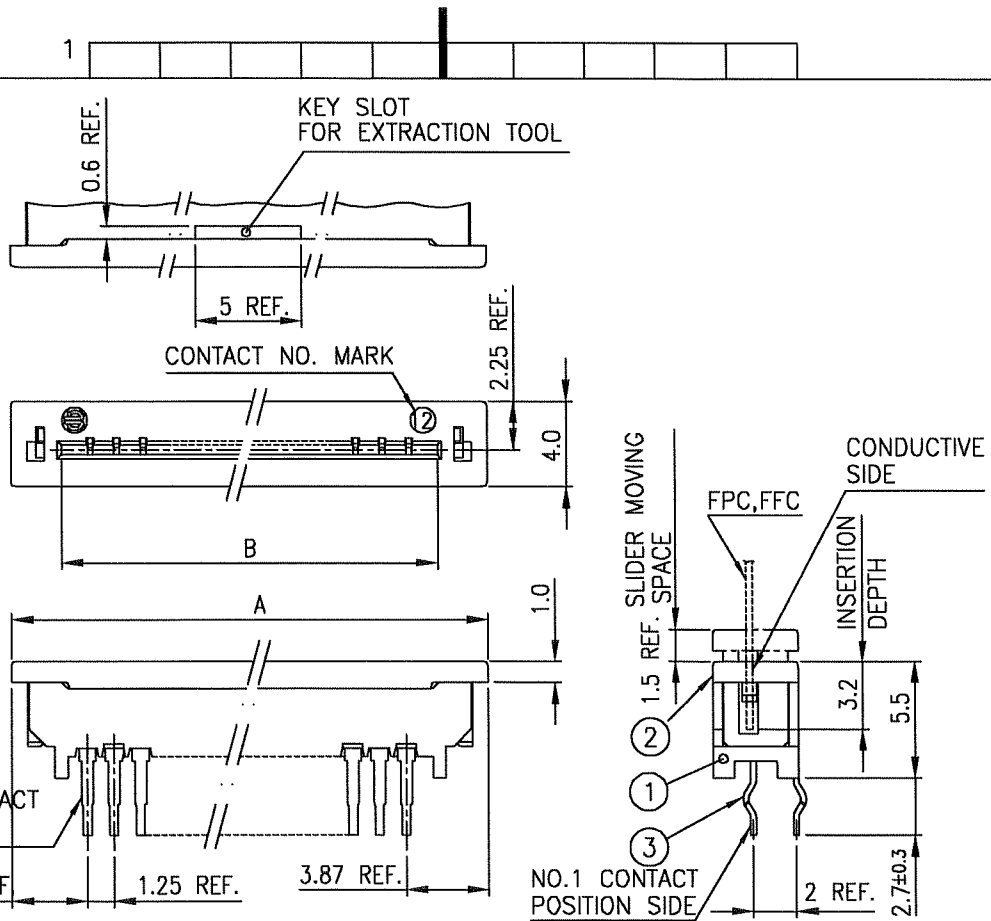
1) SEE PART DRAWINGS FOR DIMENSIONS A & B

mat'l. code				surface <input checked="" type="checkbox"/> ISO 1302 <input checked="" type="checkbox"/> ISO 406 <input checked="" type="checkbox"/> ISO 1101		projection		product family 58KF		CODE JP	
ltr	ecn no	dr	date	tolerances unless otherwise specified				title			
A	J05-0713	H.T	10/21/05	angles		mm		CAT.No. TABLE FOR 1.25mm SPACING CONNECTOR (Cat. No. SLP__R/S-2LF)			
B	J06-0504	H.T	11/29/06	linear		scale X		dwg no sheet 1 of 1 size			
				dr	<i>H. Hoshino</i>	<i>11/29/06</i>		JSA 96774		A4	
				enr	<i>H. Hoshino</i>	<i>11/29/06</i>		type Product Customer Drawing			
				chr	<i>R. Shoji</i>	<i>11/29/06</i>					
				appd	<i>S. Andou</i>	<i>12/11/06</i>					
sheet index	revision B	sheet 1									Rev. B



FCIconnect.com

Copyright FCI.

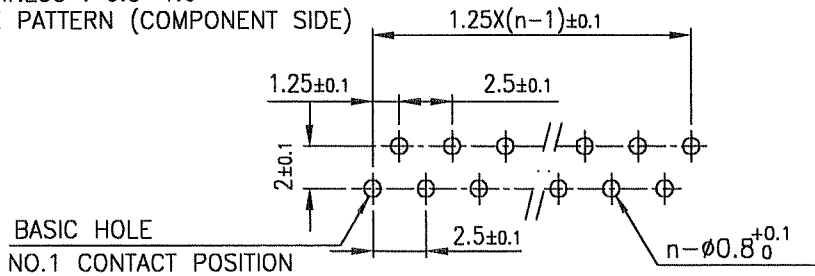


PT. NO.	PARTS NAME	MATERIAL	Q'TY	NOTE
1	HOUSING	PET RESIN GLASS REINFORCED (UL94V-0)	1	COLOR : BLACK
2	SLIDER		1	COLOR : GRAY
3	CONTACT	PHOSPHOR BRONZE	n	PLATING : TIN Ni UNDER PLATED

n : NO. OF CONTACTS

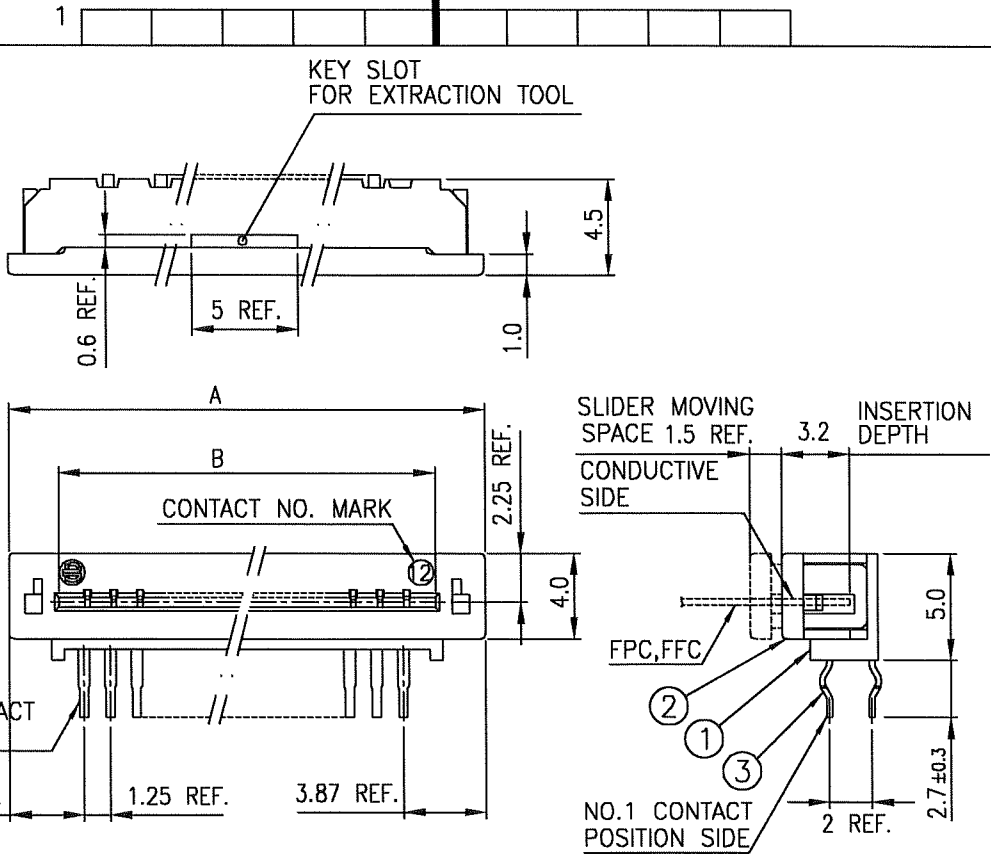
RECOMMENDED PC BOARD

THICKNESS : 0.8~1.6
HOLE PATTERN (COMPONENT SIDE)



THIS PRODUCT MEETS EUROPEAN UNION DIRECTIVES AND OTHER COUNTRY REGULATIONS AS DESCRIBED IN GS-22-008.
THE HOUSING WILL WITHSTAND EXPOSURE TO 260°C PEAK TEMPERATURE FOR 10 SECONDS IN A WAVE SOLDER APPLICATION WITH A 1.6mm THICK CIRCUIT BOARD.

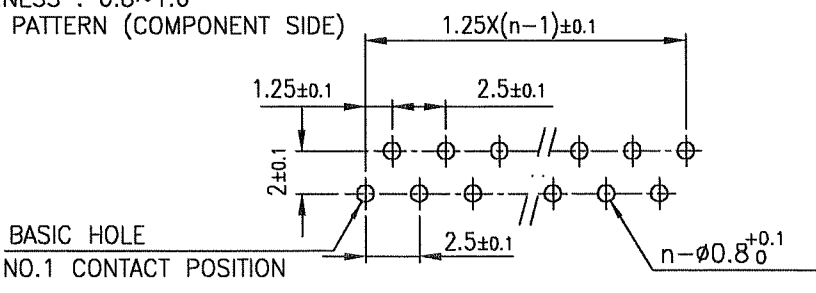
mat'l. code				surface ISO 1302 ✓		tolerance ISO 406 ISO 1101		projection		product family 58KF		CODE JP	
ltr				ecn no		dr		date		title		1.25mm SPACING CONNECTOR (Cat. No. SLP__S-2LF)	
A				J05-0713		H.T.		10/21/05		mm			
B				J06-0504		H.T.		11/29/06		scale X			
				dr		11/29/06		FCI		dwg no		sheet 1 of 1 size A4	
				enr		11/29/06				JSA 96775			
				chr		11/29/06				type		Product Customer Drawing	
				appd		12/1/06							
sheet index		revision sheet		B 1								Rev. B	



PT. NO.	PARTS NAME	MATERIAL	Q'TY	NOTE
1	HOUSING	PET RESIN GLASS REINFORCED (UL94V-0)	1	COLOR : BLACK
2	SLIDER		1	COLOR : GRAY
3	CONTACT	PHOSPHOR BRONZE	n	PLATING : TIN Ni UNDER PLATED


RECOMMENDED PC BOARD

THICKNESS : 0.8~1.6
HOLE PATTERN (COMPONENT SIDE)



n : NO. OF CONTACTS

THIS PRODUCT MEETS EUROPEAN UNION DIRECTIVES AND OTHER COUNTRY REGULATIONS AS DESCRIBED IN GS-22-008.
THE HOUSING WILL WITHSTAND EXPOSURE TO 260°C PEAK TEMPERATURE FOR 10 SECONDS IN A WAVE SOLDER APPLICATION WITH A 1.6mm THICK CIRCUIT BOARD.

mat'l. code				surface ISO 1302 ✓		tolerance ISO 406 ISO 1101		projection mm		product family 58KF		CODE JP	
ltr	ecn no	dr	date	tolerances unless otherwise specified				mm		title 1.25mm SPACING CONNECTOR (Cat. No. SLP__R-2LF)			
A	J05-0713	H.T.	10/21/05	angles	linear			scale X		 dwg no JSA 96776 sheet 1 of 1 size A4 type Product Customer Drawing			
B	J06-0504	H.T.	11/29/06										
				dr	11/29/06								
				enr	11/29/06								
				chr	11/29/06								
				app	12/11/06								
sheet index	revision	B	sheet	1									Rev. B

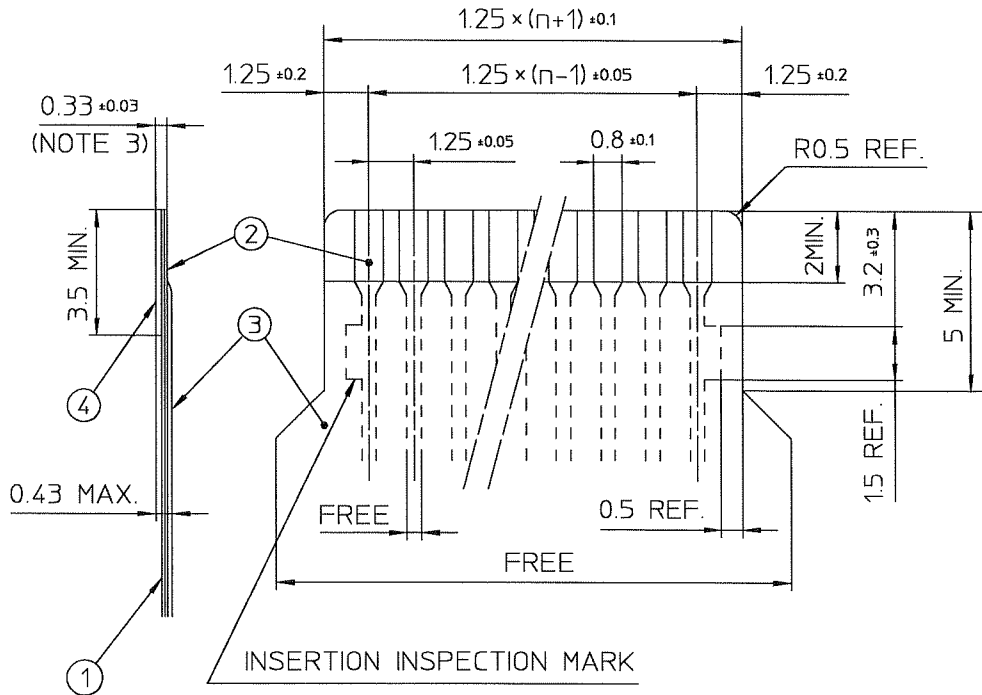


FCIconnect.com

Copyright FCI.

RECOMMENDED CABLE (FPC)

n : NO. OF CONDUCTOR



PT. NO.	PARTS NAME	MATERIAL	THICKNESS (μm)
1	BASE FILM	POLYIMIDE OR EQUAL	25
2	CONDUCTOR	COPPER FOIL (PLATING : SOLDER 1μm MIN. 12μm MAX.)	35
3	OVERLAY	POLYIMIDE OR EQUAL	—
4	SUPPORTING TAPE	POLYESTER OR POLYIMIDE OR EQUAL	188

NOTES.

1. NO BURR AT EACH PORTION.
2. NO PEELING IN COMMON USE.
3. TOTAL THICKNESS LIMIT OF EACH MATERIAL (INCLUDING ADHESIVE AGENT) IS SPECIFIED.

mat'l. code				surface ISO 1302 ✓		tolerance ISO 406 ISO 1101		projection 		product family 58KF			
ltr	ecn no	dr	date	tolerances unless otherwise specified				title RECOMMENDED CABLE (Cat. No. SLP_R/S-2_)					
3		H.T	11/29/99	angles	linear			scale X					
A	J06-0504	H.T	11/29/06					scale X					
		dr	<i>H. Saito</i>	11/29/06					dwg no		sheet 1 of 1	size	
		enr	<i>H. Saito</i>	11/29/06					JSA 28248		A4		
		chr	<i>R. Shoji</i>	11/29/06					type		Product Customer Drawing		
		appd	<i>S. Saito</i>	12/1/06									
sheet index	revision sheet	A	1									Rev	A

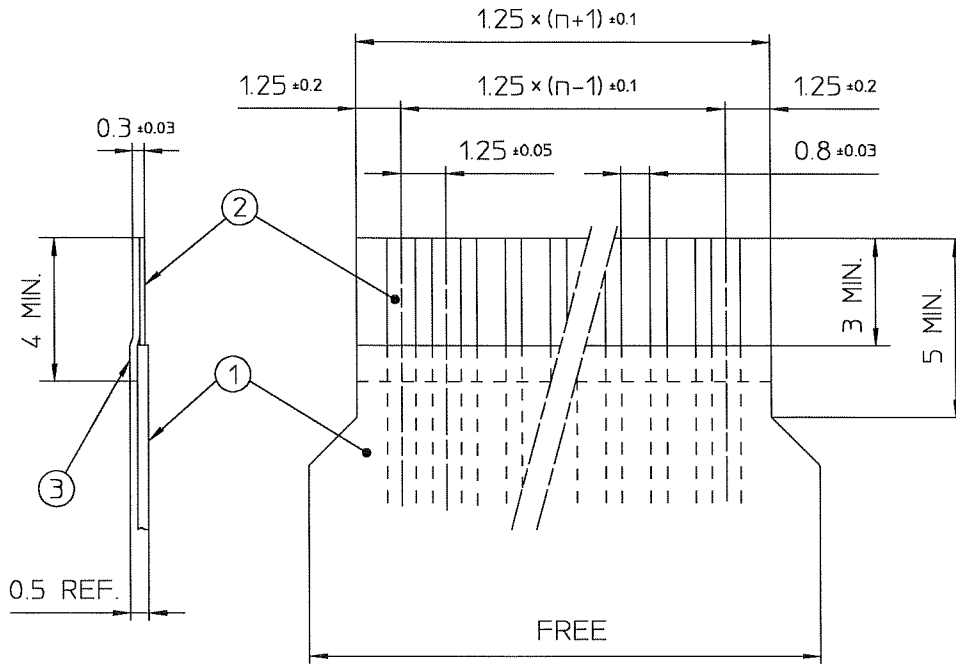


FCIconnect.com

Copyright FCI

RECOMMENDED CABLE (FFC)

n : NO. OF CONDUCTOR



PT. NO.	PARTS NAME	MATERIAL	NOTE
1	INSULATOR	FLAME RESISTING POLYESTER OR EQUAL	_____
2	CONDUCTOR	COPPER FOIL : 50 μm	PLATING : SOLDER 1 μm MIN.
3	SUPPORTING TAPE	FLAME RESISTING POLYESTER OR EQUAL	_____

NOTES.

1. NO BURR AT EACH PORTION.
2. NO PEELING IN COMMON USE.

mat'l. code				surface ISO 1302 ✓		tolerance ISO 406 ISO 1101		projection 		product family 58KF	
ltr	ecn no	dr	date	tolerances unless otherwise specified				title RECOMMENDED CABLE (Cat. No. SLP_R/S-2_)			
3	---	H.T	11/29/99	angles	linear			scale X		dwg no JSA 28249	
A	J06-0504	H.T	11/29/06							sheet 1 of 1 size A4	
				dr	<i>H. Hattori</i> 11/29/06				type Product Customer Drawing		
				enr	<i>H. Hattori</i> 11/29/06						
				chr	<i>R. Shouji</i> 11/29/06						
				appd	<i>S. Oudans</i> 12/11/06						
sheet index	revision	A									Rev A



FCconnect.com

Copyright FCI