

THIS DRAWING IS UNPUBLISHED.

RELEASED FOR PUBLICATION

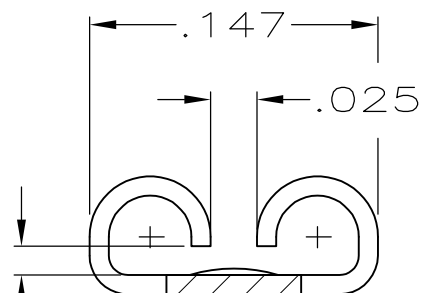
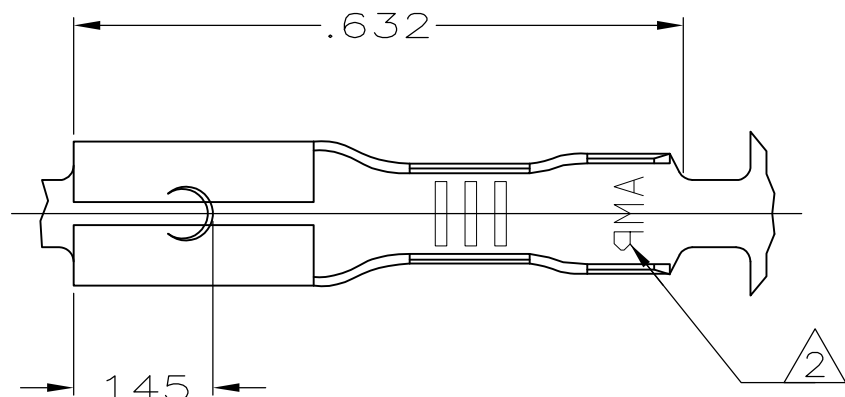
ALL RIGHTS RESERVED.

© COPYRIGHT - By -

LOC AF DIST 50

REVISIONS

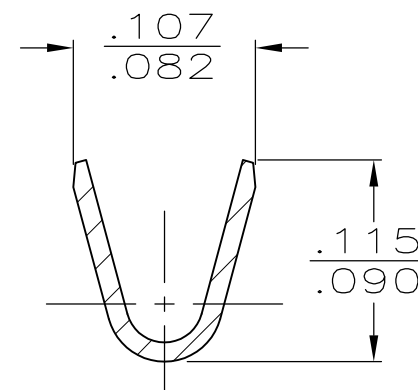
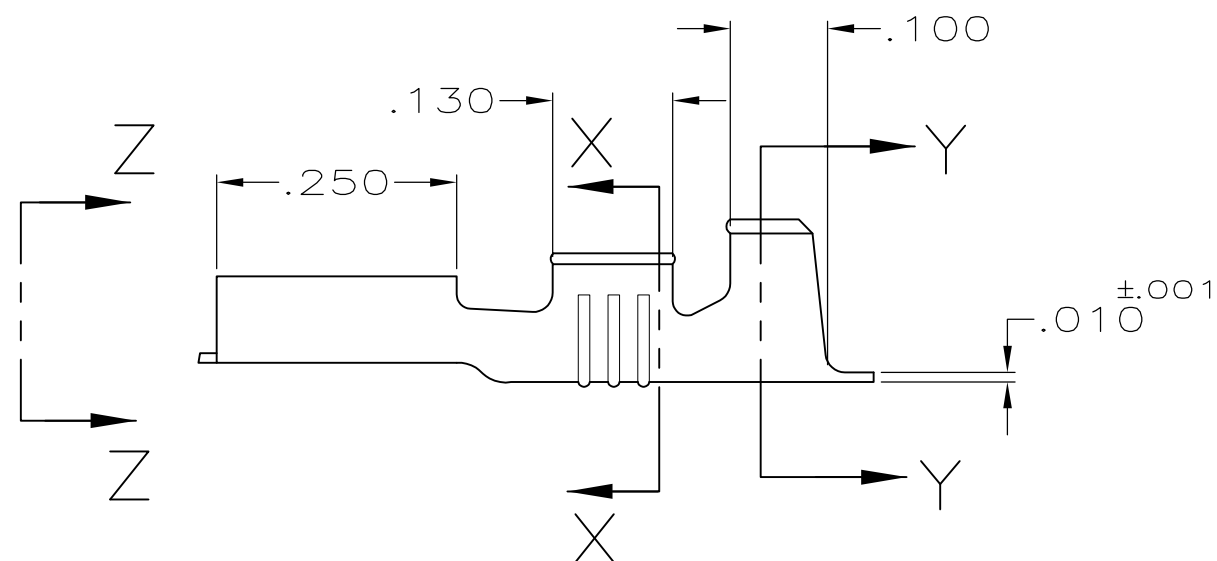
P	LTR	DESCRIPTION	DATE	DWN	APVD
	R	REVISED PER ECR-12-013445	09NOV12	KH	PD



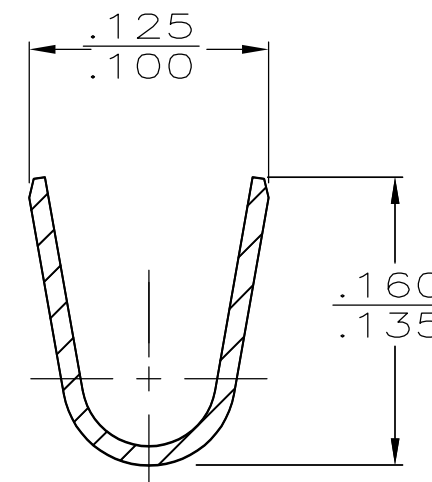
FITS .110 SERIES FASTON TABS

VIEW Z-Z SCALE 10:1

- 1 CONTINUOUS STRIP ON REELS
- 2 AMP* FOR 42236-2 ONLY, ALL OTHERS JUST AMP.
- 3 OBSOLETE PARTS: OBSOLETE CIS STREAMLINING PER D.RENAUD/D.SINISI



SECTION X-X SCALE 10:1



SECTION Y-Y SCALE 10:1

3 OBSOLETE	T3 PHOS BRZ	TIN	.060-.100	22-20 AWG	.020	42236-2
	BRASS	PRE-TIN				42236-1
	MATERIAL	FINISH	INSUL RANGE	WIRE SIZE	MATING TAB THK ±.001	PART NO.

THIS DRAWING IS A CONTROLLED DOCUMENT.		DWN JR RUTH 1/2/91	TE Connectivity RECEPTACLE, FASTON, .110 SERIES											
DIMENSIONS: INCHES		CHK MS FEHER 1/2/91												
TOLERANCES UNLESS OTHERWISE SPECIFIED:		APVD C MEYERS 1/2/91												
<table border="0"> <tr><td>0 PLC</td><td>± -</td></tr> <tr><td>1 PLC</td><td>± -</td></tr> <tr><td>2 PLC</td><td>± -</td></tr> <tr><td>3 PLC</td><td>± .015</td></tr> <tr><td>4 PLC</td><td>± -</td></tr> <tr><td>ANGLES</td><td>± -</td></tr> </table>		0 PLC					± -	1 PLC	± -	2 PLC	± -	3 PLC	± .015	4 PLC
0 PLC	± -													
1 PLC	± -													
2 PLC	± -													
3 PLC	± .015													
4 PLC	± -													
ANGLES	± -													
MATERIAL SEE TABLE	FINISH SEE TABLE	APPLICATION SPEC	SIZE	CAGE CODE	DRAWING NO	RESTRICTED TO								
		WEIGHT -	A3	00779	C-42236	-								
CUSTOMER DRAWING			SCALE 5:1	SHEET 1 OF 1	REV R									