

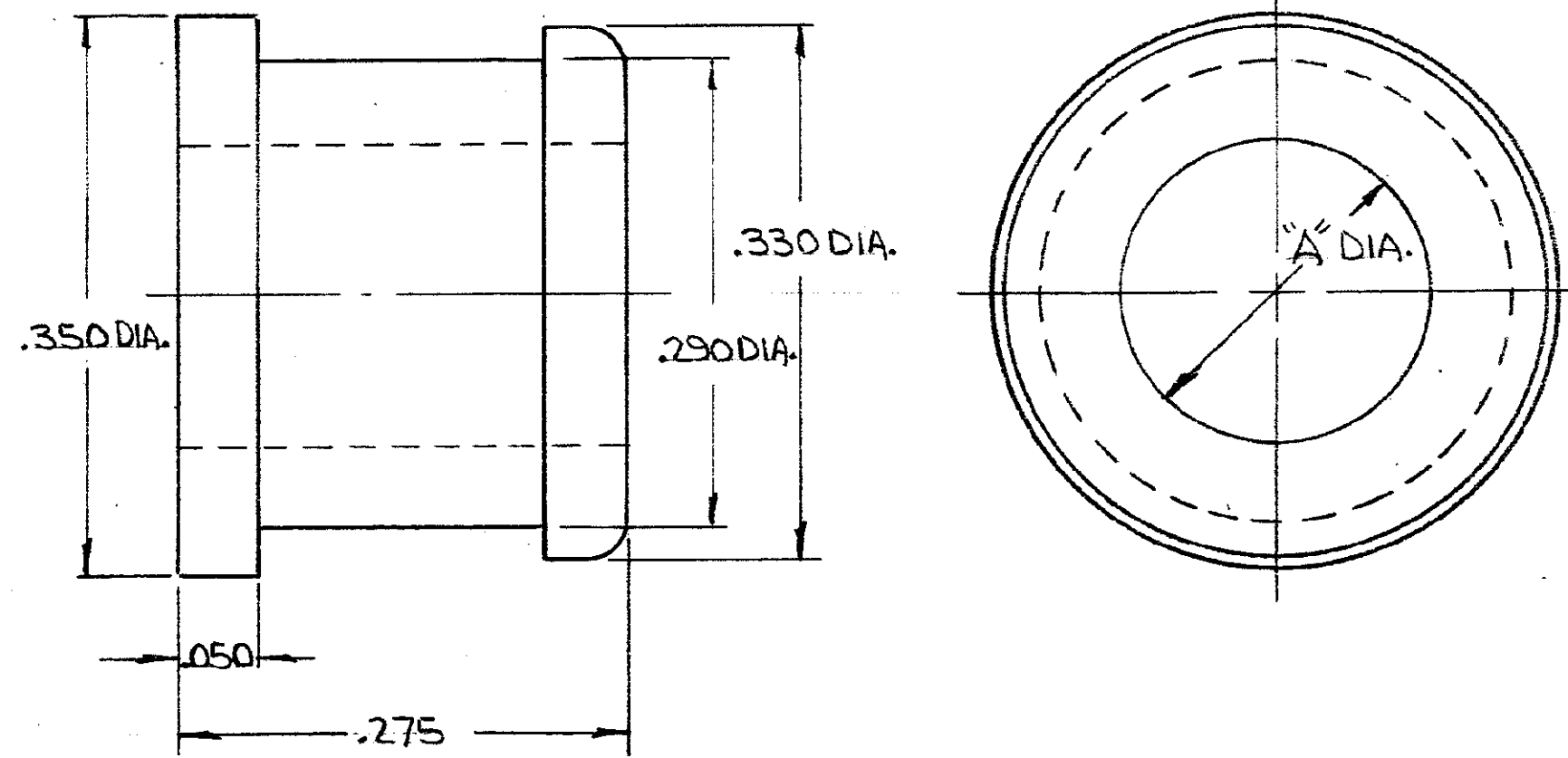
© 1971 BY AMP INCORPORATED. ALL RIGHTS RESERVED. AMP PRODUCTS COVERED BY PATENTS AND/OR PATENTS PENDING.

Unpublished copy not to be reproduced nor published without written permission of AMP Incorporated.

REVISIONS				
ZONE	LTR	DESCRIPTION	DATE	APPROVED
	A	REV. PER ECN C-520	9-10-73	SJS
	B	ADDED -3 PER ECN F-102	7/13/79	AHLL
	C	ADDED -4 & -5 PER ECN J-791	10/28/82	TLH
	D	REV PER DF4728	PY 5-13-91	EJA

- 205402-1 1. AS SHOWN: (A)
2. "A" DIM. = .205
3. FOR USE WITH RG223 CABLE
- 205402-2 1. SAME AS -1 EXCEPT:
2. "A" DIA. = .182 DIA.
3. FOR USE WITH RG58C CABLE
- 205402-3 1. SAME AS -1 EXCEPT:
2. "A" DIA. = .128 DIA.
3. FOR USE WITH .141 SEMI-RIGID CABLE.

- 205402-4 1. SAME AS -1 EXCEPT:
2. MATERIAL: FLUROSILICONE RUBBER, BLUE.
- 205402-5 1. SAME AS -2 EXCEPT:
2. MATERIAL: FLUROSILICONE RUBBER, BLUE.



D
S
C
B
A
LOC
PRINT DIST
DF/AO

A
D
C
B
A

UNLESS OTHERWISE SPECIFIED DIMENSIONS ARE IN INCHES. TOLERANCES ON: DECIMALS ±.010 ANGLES ± #	CONTRACT NO.	AMP AMP INCORPORATED HARRISBURG, PENNSYLVANIA	
	DR. [Signature] 8/20/71		
MATERIAL SILICONE RUBBER, RED	CH. [Signature] 8/20/71	NAME SEALING BOOT, COAX	
	APPR. [Signature] 8/20/71	SIZE B	CODE IDENT. NO. 00779
	REL. [Signature] 8/20/71	NUMBER 205402	
	DSGN APPD	SCALE #	SHEET 1 OF 1
	OTHER APPD		