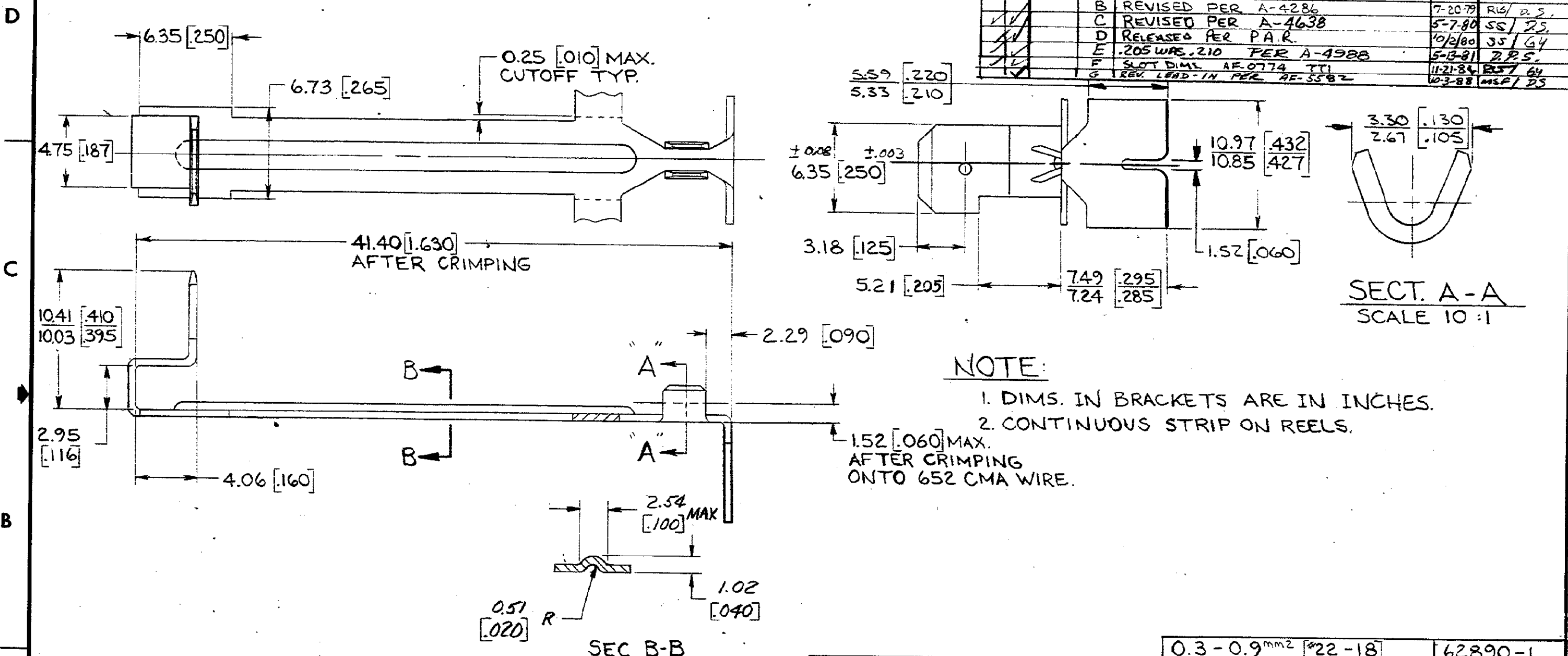


© COPYRIGHT 1979 BY AMP INCORPORATED, HARRISBURG, PA.
ALL INTERNATIONAL RIGHTS RESERVED. AMP INCORPORATED PRODUCTS
COVERED BY U. S. AND FOREIGN PATENTS AND/OR PATENTS PENDING.

REVISIONS				
ZONE	LTR	DESCRIPTION	DATE	APPROVED
A		REVISED DIMS. PER A-47	7-1-77	RS/D.S.
B		REVISED PER A-4286	7-20-79	RS/D.S.
C		REVISED PER A-4638	5-7-80	SS/D.S.
D		RELEASED PER P.A.R.	10/2/80	SS/GY
E		.205 WRS. 210 PER A-4988	5-13-81	Z.P.S.
F		SLOT DIML AF-0774 TTI	11-21-84	RS7/64
G		REV. LEAD-IN PER AF-5582	10-3-88	MSF/D.S.



NOTE:
1. DIMS. IN BRACKETS ARE IN INCHES.
2. CONTINUOUS STRIP ON REELS.

NETRIC

UNLESS OTHERWISE SPECIFIED DIMENSIONS ARE IN MILLIMETERS. TOLERANCES ON: DECIMALS ±0.13 [005] ANGLES ±		CONTRACT NO	0.3 - 0.9 mm ² #22-18		62890-1
MATERIAL 0.51 [020] THK. BRASS		DR <i>R. L. Smyers</i> 5-31-79	WIRE RANGE		PART NO
FINISH NONE		CHK <i>G. Yetter</i> 5-31-79	AMP INCORPORATED Harrisburg, Pa.		
		APPD <i>D. Howard</i> 5-31-79	NAME BRUSH CONTACT		
		APPD <i>G. T. Hill</i> 5-31-79	SIZE B	CODE IDENT NO 00779	DRAWING NO 62890
		DSGN APPD	SCALE	SHEET	
		OTHER APPD			