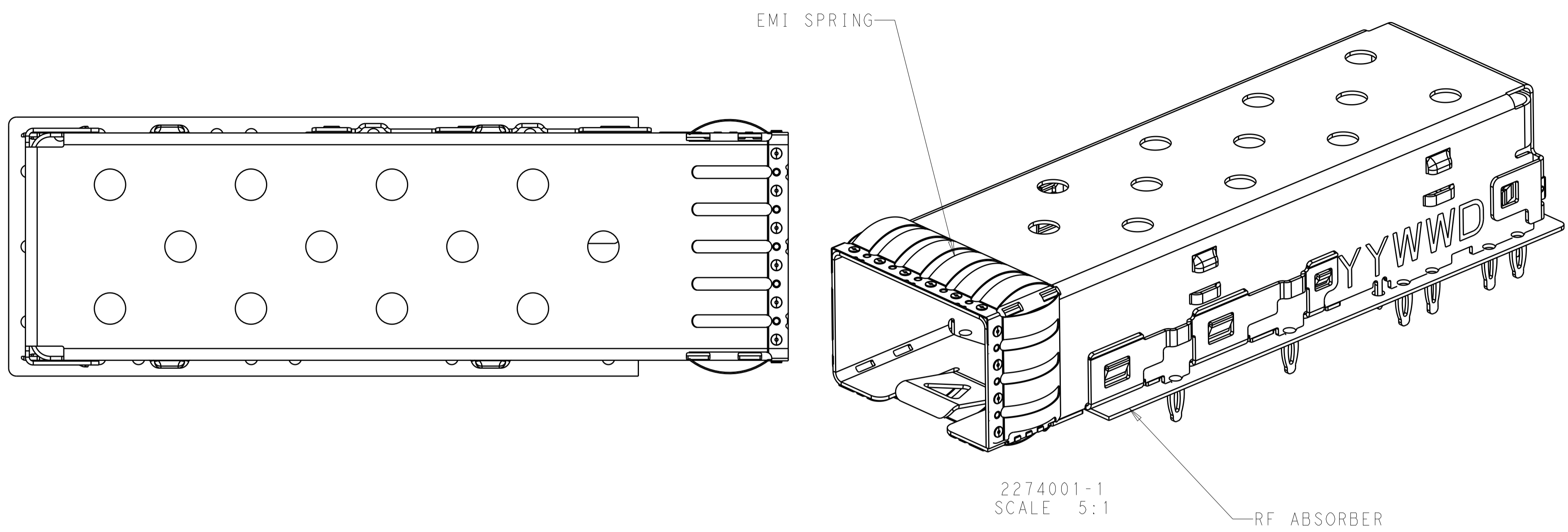
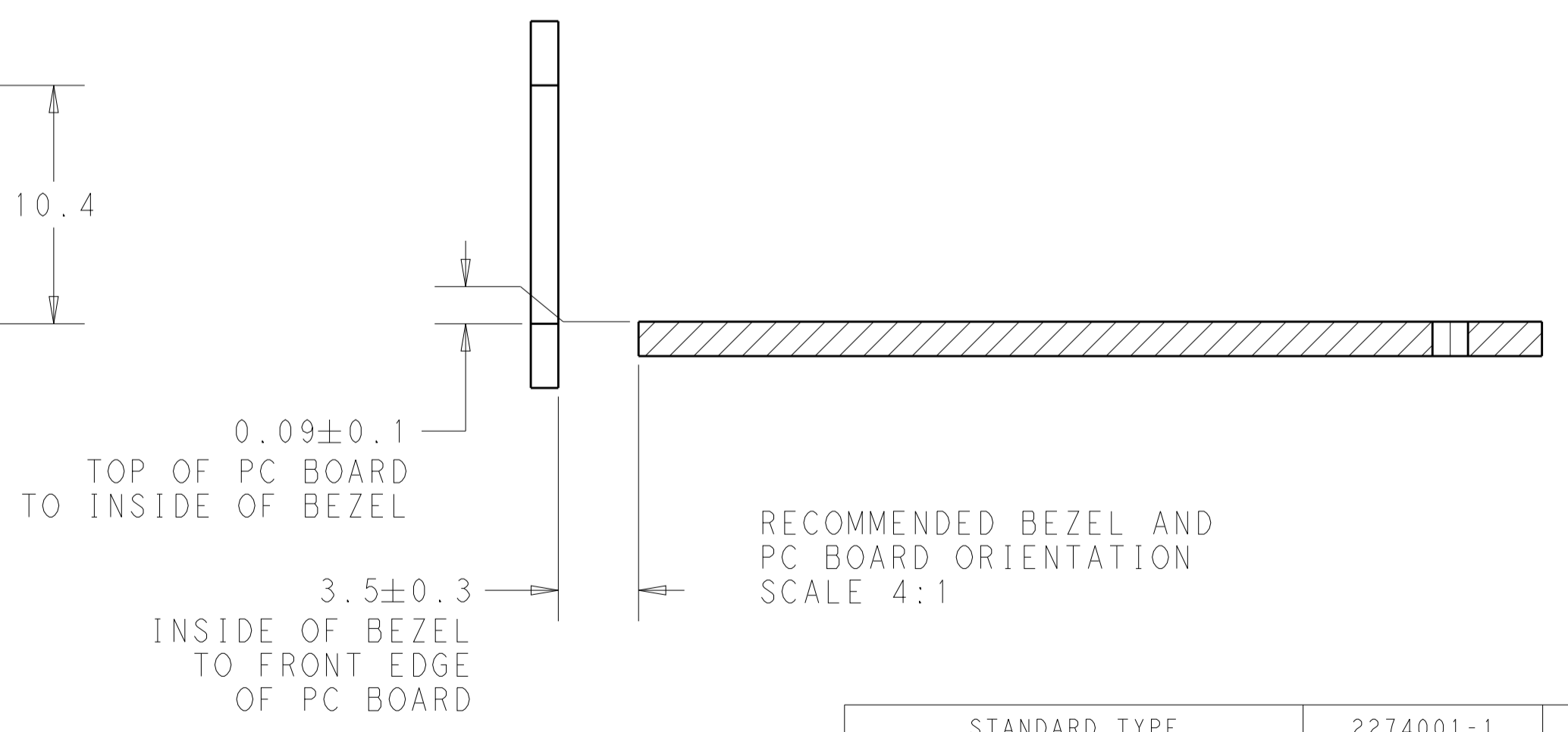
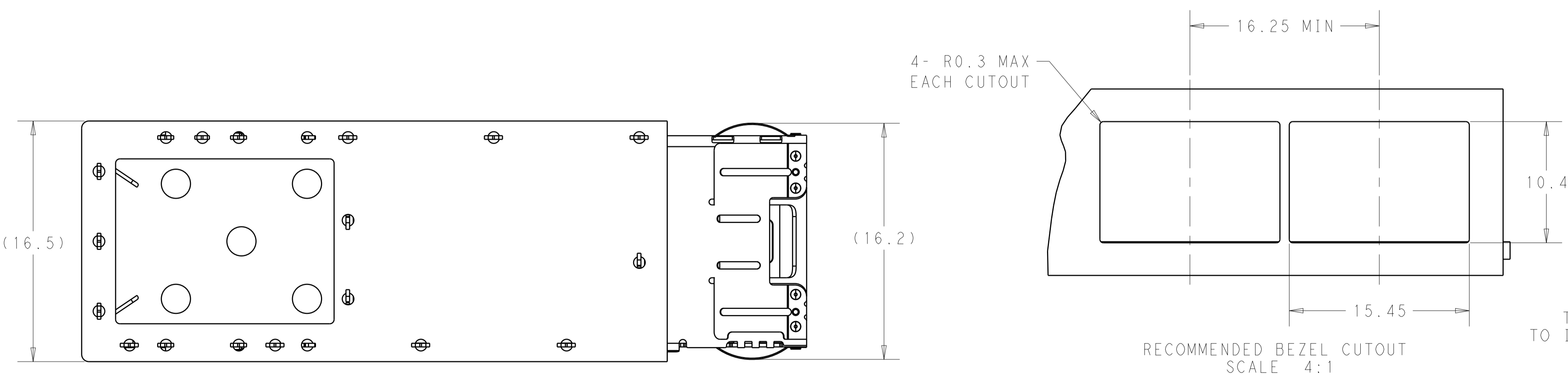
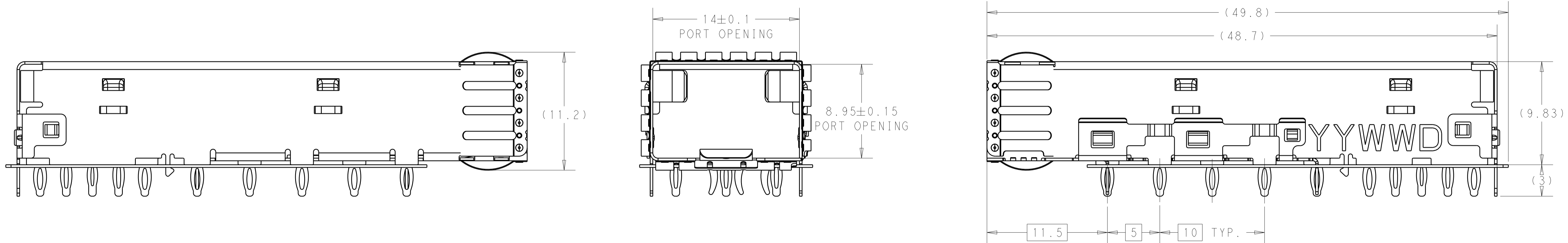


LOC	DIST	REVISIONS			
GP	00	REV	DATE	BY	CHK
		1	28SEP2016	LL	SH



- △ MATERIAL:  
CAGE ASSEMBLY - 0.25mm THICK NICKEL SILVER ALLOY.  
EMI SPRINGS - COPPER ALLOY.  
PCB GASKET - RF ABSORBER.
- △ FINISH  
EMI SPRINGS - 0.8um MIN NICKEL, NON-PLATED EDGES PERMISSIBLE.
- 3. MATES WITH SFP MSA COMPLIANT TRANSCEIVERS.
- △ PADS AND VIAS CHASSIS GROUND.
- △ DATUM AND BASIC DIMENSION ESTABLISHED BY CUSTOMER.
- △ REFERENCE APPLICATION SPEC. 114-13120, HOLE A, FOR RECOMMENDED DRILL HOLE DIAMETER AND PLATING THICKNESS.
- △ REFERENCE APPLICATION SPEC. 114-13120, HOLE B, FOR RECOMMENDED DRILL HOLE DIAMETER AND PLATING THICKNESS.
- △ REFERENCE APPLICATION SPEC. 114-13120, HOLE C, FOR RECOMMENDED DRILL HOLE DIAMETER AND PLATING THICKNESS.
- 9. MINIMUM PC BOARD THICKNESS:  
SINGLE SIDED = 1.50mm
- 10. CONTACT STANDOFF WILL PIERCE GASKET WHEN PROPERLY PRESSED INTO PCB.



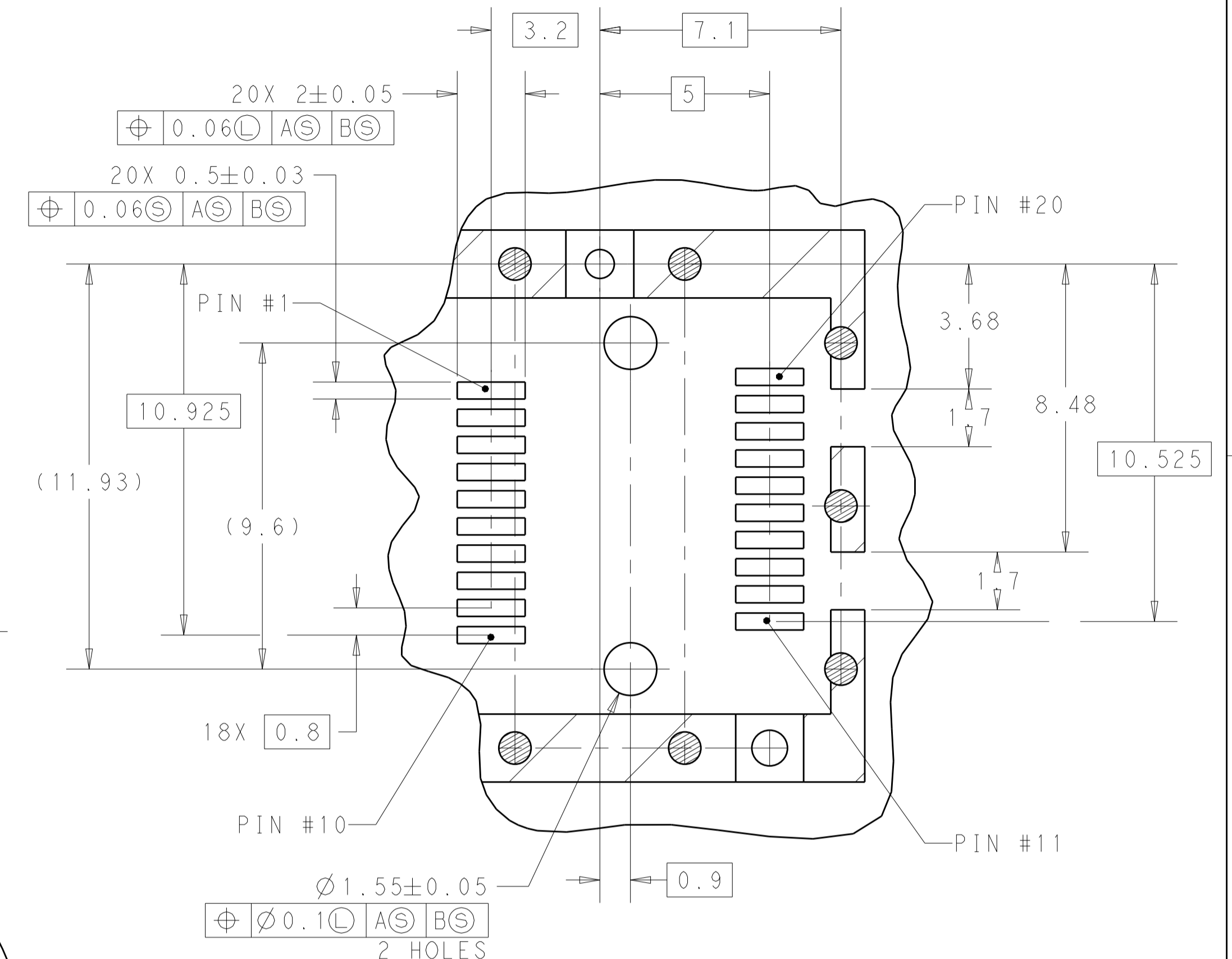
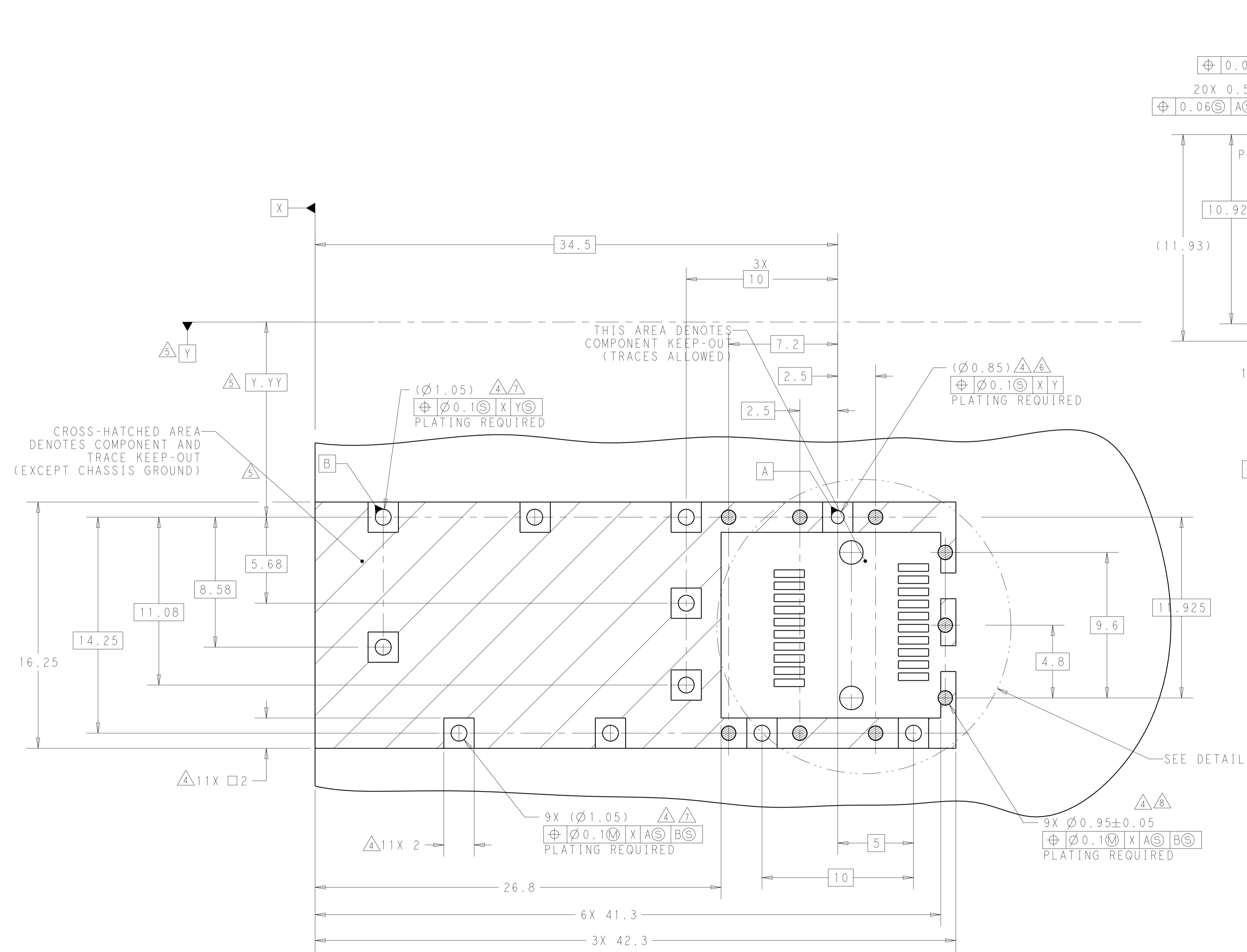
RECOMMENDED BEZEL CUTOUT SCALE 4:1

RECOMMENDED BEZEL AND PC BOARD ORIENTATION SCALE 4:1

STANDARD TYPE	2274001-1	1
DESCRIPTION	PART NO	ITEM

THIS DRAWING IS A CONTROLLED DOCUMENT.		OWN: VINDY LIU 08APR2016	TE Connectivity
DIMENSIONS: mm		CHK: SEAN HAN 08APR2016	
TOLERANCES UNLESS OTHERWISE SPECIFIED:		APP'D: SEAN HAN 08APR2016	
0 PLC ±0.1 1 PLC ±0.1 2 PLC ±0.1 3 PLC ±0.05 4 PLC ±0.05 ANGLES ±0.05		NAME: ZSFP+ 1X1 CAGE ASSEMBLY, PRESS-FIT STANDARD, EMI SPRINGS PRODUCT SPEC: 108-2364 APPLICATION SPEC: 114-13120 SIZE: CAGE CODE DRAWING NO: A100779C=2274001 WEIGHT: - RESTRICTED TO: -	
MATERIAL: △	FINISH: △	CUSTOMER DRAWING	SCALE: 5:1 SHEET: 1 OF 2 REV: A

LOC	DIST	REVISIONS			
P	LTN	DESCRIPTION	DATE	OWN	APVD
-	-	SEE SHEET 1	-	-	-



THIS DRAWING IS A CONTROLLED DOCUMENT.		OWN VINDY LIU 08APR2016	TE Connectivity NAME zSFP+ 1X1 CAGE ASSEMBLY, PRESS-FIT STANDARD, EMI SPRINGS	
DIMENSIONS: mm		CHK SEAN HAN 08APR2016		
TOLERANCES UNLESS OTHERWISE SPECIFIED:		APVD SEAN HAN 08APR2016	PRODUCT SPEC	
0 PLC	±0.1		108-2364	
1 PLC	±0.1		APPLICATION SPEC	
2 PLC	±0.1		114-13120	
3 PLC	±0.05		WEIGHT	
4 PLC	±0.05		CUSTOMER DRAWING	
ANGLES	±0.05		SCALE 1:1 SHEET 2 OF 2 REV A	
MATERIAL	FINISH		A100779C=2274001	