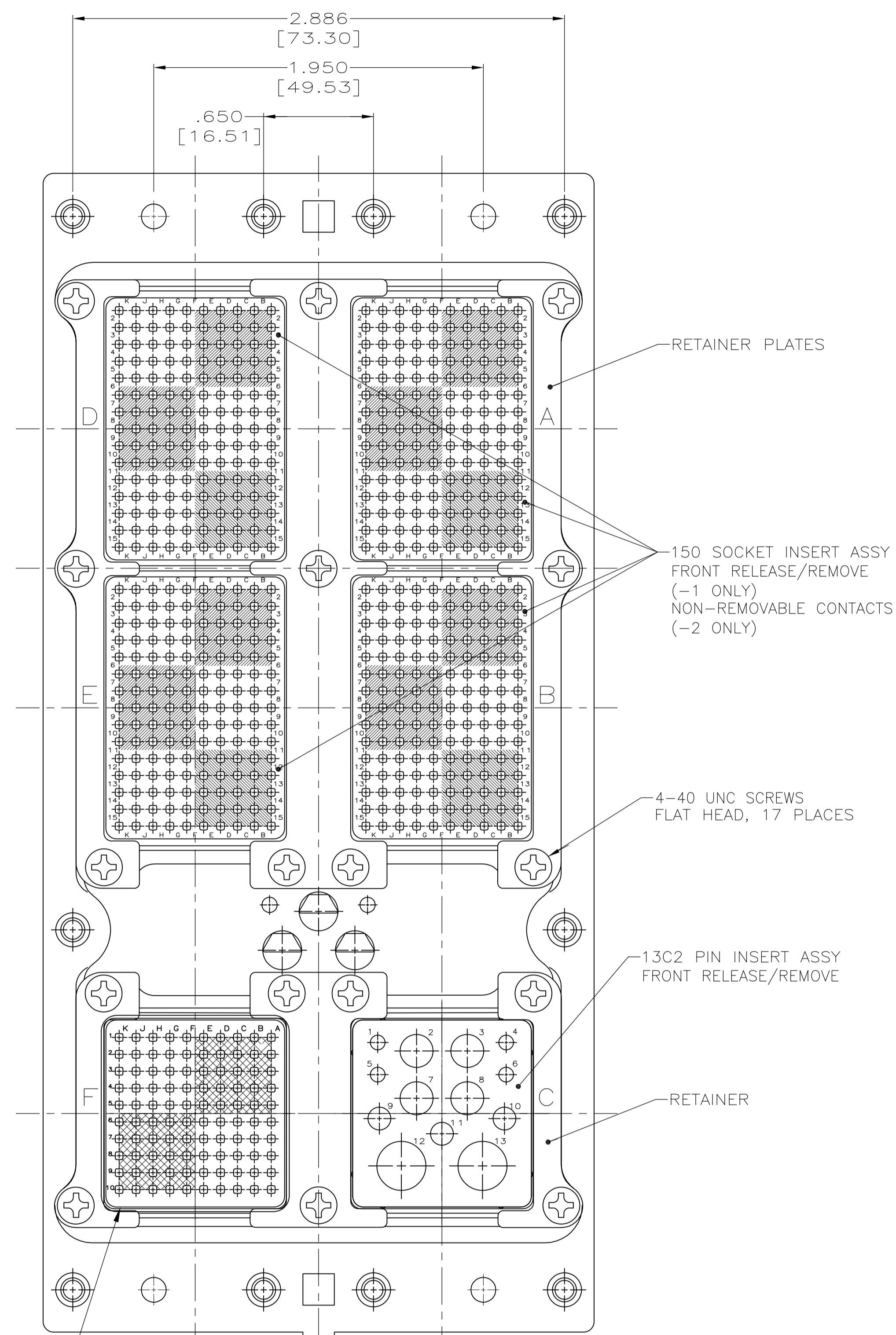
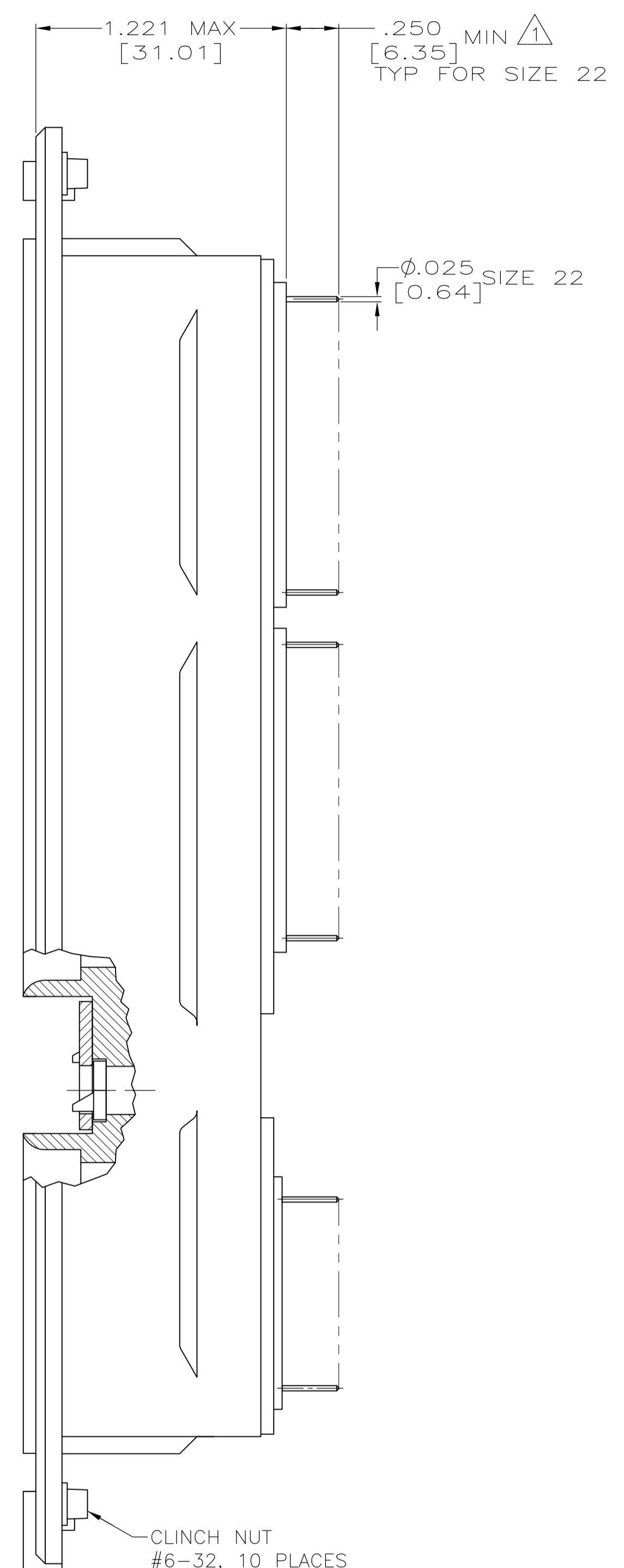
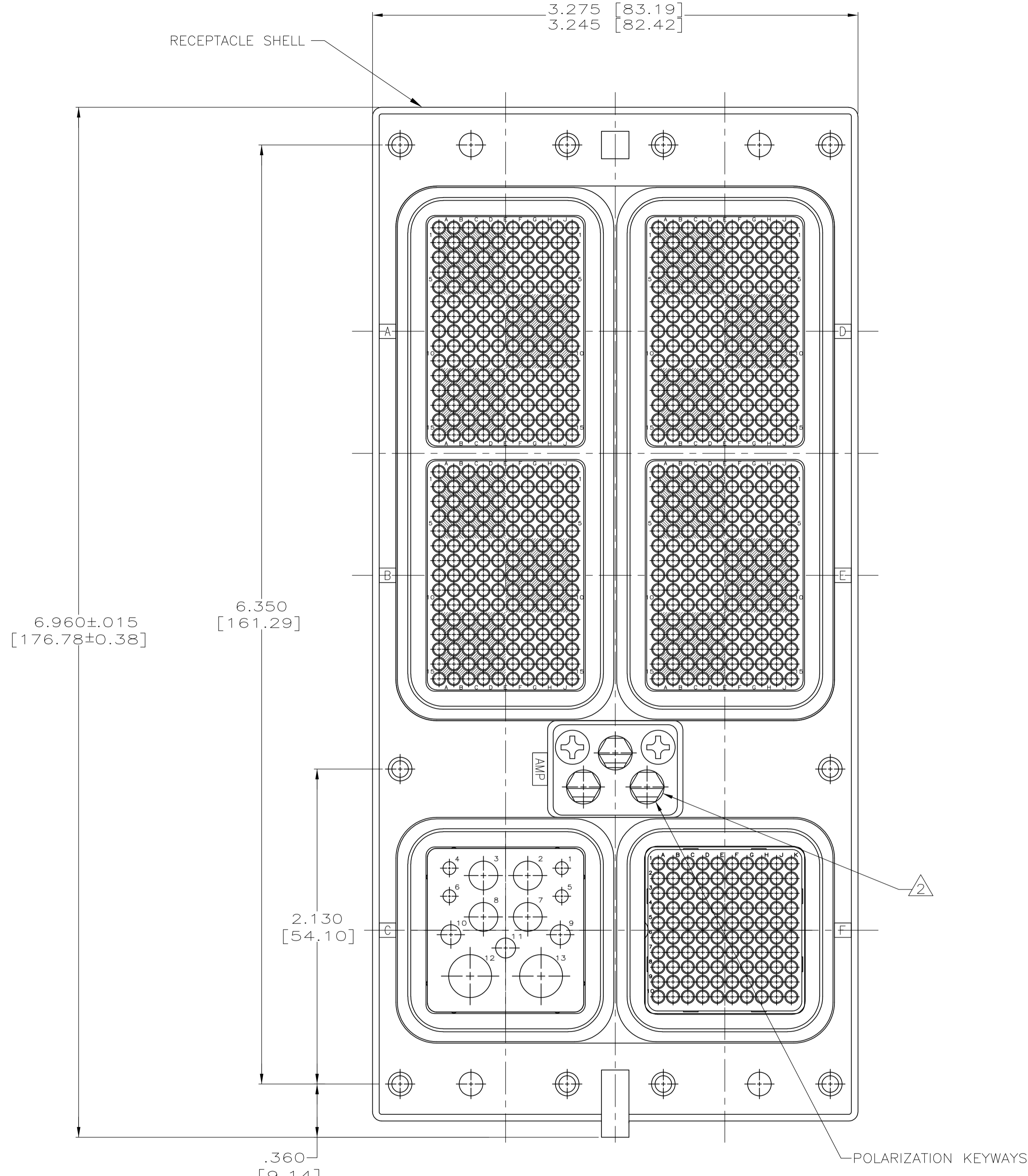
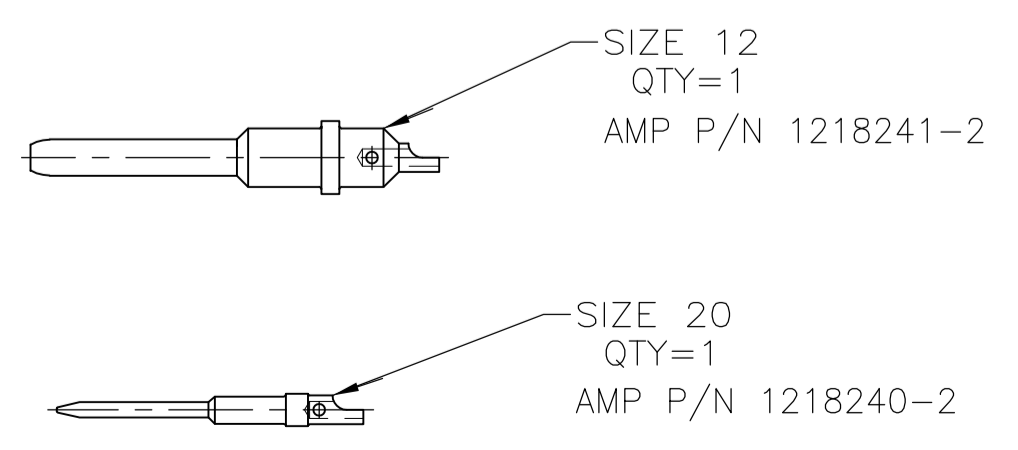


LOC		DIST		REVISIONS			
F	LTR	DESCRIPTION	DATE	DN	APVD	CT	WB
B	REV PER ECO	12-014358	8-7-12	CT	WB		



100 POSN. INSERT FRONT RELEASE/REMOVE (-1 ONLY)
NON-REMOVABLE CONTACTS (-2 ONLY)

- CONNECTOR IS SUPPLIED WITH CONTACTS AS LISTED IN TABLE.
- CONNECTOR IS SUPPLIED WITH KEYING ASSEMBLED IN POSITION "01".
- DUST COVER (QTY=2) INSTALLED FOR SHIPPING. (NOT SHOWN)



COMPONENT	MATERIAL	FINISH
SHELL	DIE CAST ALUMINUM PER ASTM-B-85	ELECTROLESS NICKEL PER MIL-C-26074
INSERT RETENTION PLATES	ALUMINUM ALLOY PER ASTM-B-209	ELECTROLESS NICKEL PER MIL-C-26074
SCREWS AND LOCKWASHERS	STEEL OR STAINLESS STEEL	CHROMATE OVER ZINC OR PASSIVATED
POLARIZING KEYS	ZINC ALLOY PER ASTM-B-86	-
INSERTS	THERMOSET OR THERMOPLASTIC PPS PER MIL-M-24519	-
POLARIZING KEY RETAINING PLATE	ALUMINUM ALLOY PER ASTM-B-209	BLUE ANODIZED PER MIL-A-8625

CONTACTS INCLUDED AND NOT INSTALLED	CONTACTS INCLUDED AND INSTALLED	PART NUMBER
1218241-2 AND 1218240-2	SZ 22 NON-REMOVABLE STAMPED & FORMED CONTACTS	1883910-2
1218241-2 AND 1218240-2	211431-4 (SIZE 22) FRONT RELEASE/REMOVE	1883910-1

THIS DRAWING IS A CONTROLLED DOCUMENT.

STE TE Connectivity

RECEPTACLE ASSEMBLY, SIZE 3, ARINC 600 (150/150/13C2/150/150/100)

SCALE 2:1 SHEET 1 OF 1 REV B