

DESIGNED & DIMENSIONED
IN MILLIMETERS [INCHES]

DO NOT
SCALE FROM
THIS PRINT

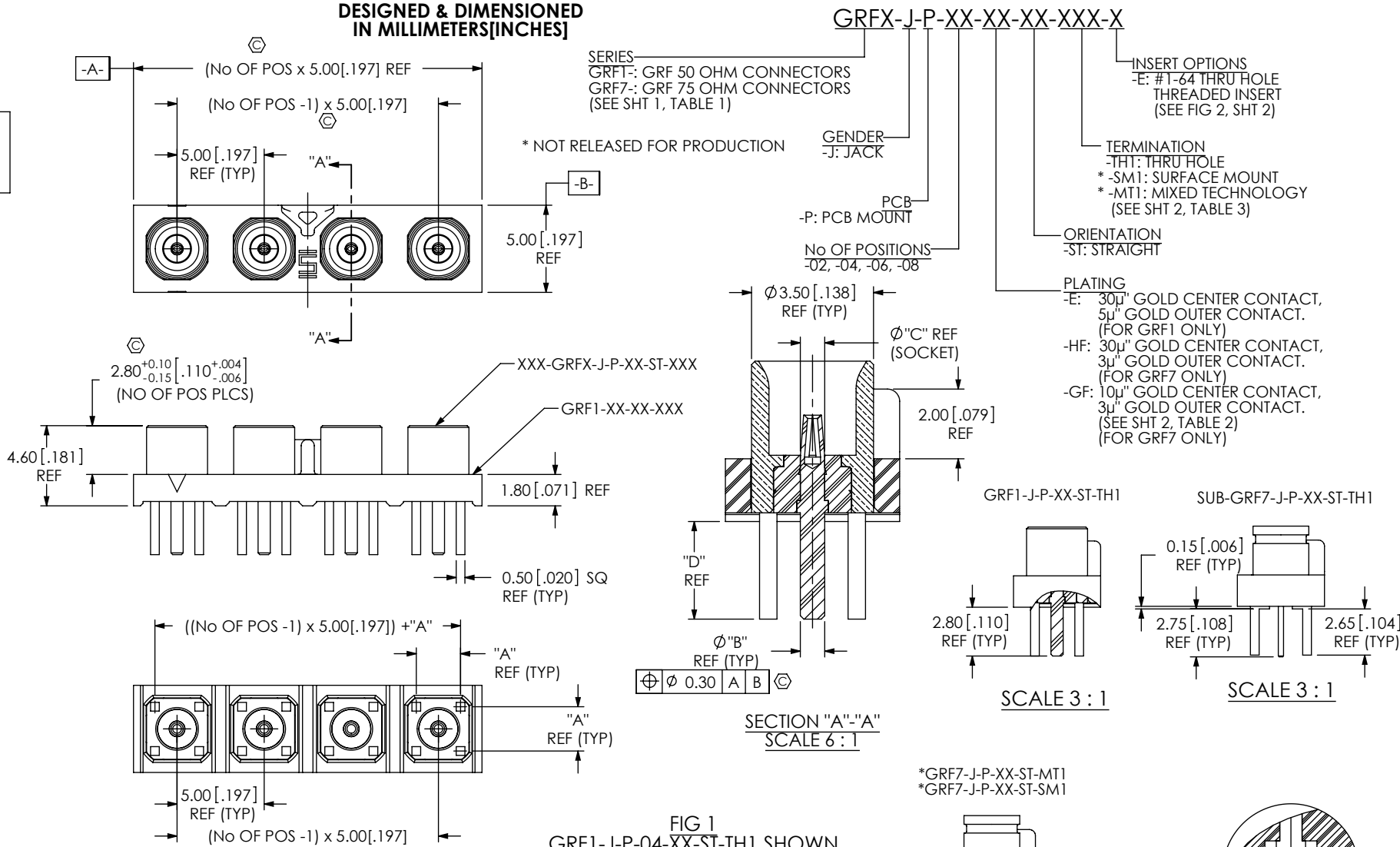


FIG 1
GRF1-J-P-04-XX-ST-TH1 SHOWN

SERIES	"A"	"B"	"C"	"D"	XXX-GRFX-J-P-XX-ST-XXX
GRF1-	2.54 [0.100]	0.70 [0.028]	0.70 [0.028]	2.80 [0.110]	SUB-GRF1-J-P-XX-ST-TH1
GRF7-	3.00 [0.118]	0.30 [0.012]	0.50 [0.020]	2.80 [0.110]	SUB-GRF7-J-P-XX-ST-TH1
		0.35 [0.014]		0.15 [0.006]	* GRF7-J-P-XX-ST-SM1
		0.35 [0.014]		2.80 [0.110]	* GRF7-J-P-XX-ST-MT1

ASSEMBLY OPERATION	IN-PROCESS INSPECTION
FILL	C1, C2, C3, C6

NOTES:
 1. Ⓢ REPRESENTS A CRITICAL DIMENSION.
 2. MINIMUM PUSHOUT FORCE: 2.22N [5 LB].
 3. NOTE DELETED.

UNLESS OTHERWISE SPECIFIED,
 DIMENSIONS ARE IN MILLIMETERS.
 TOLERANCES ARE:
 DECIMALS ANGLES
 X.X: ±0.3 5°
 X.XX: ±0.13
 X.XXX: ±0.050

DO NOT SCALE DRAWING SHEET SCALE: 3:1

MATERIAL:
 INSULATOR: L.C.P. COLOR: BLACK
 SHELL: BRASS
 SOCKET: BeCu
 INSULATOR: PTFE

PROPRIETARY NOTE
 THIS DOCUMENT CONTAINS INFORMATION
 CONFIDENTIAL AND PROPRIETARY TO
 SAMTEC, INC. AND SHALL NOT BE REPRODUCED
 OR TRANSFERRED TO OTHER DOCUMENTS OR
 DISCLOSED TO OTHERS OR USED FOR ANY
 PURPOSE OTHER THAN THAT WHICH IT WAS
 OBTAINED WITHOUT THE EXPRESSED WRITTEN
 CONSENT OF SAMTEC, INC.

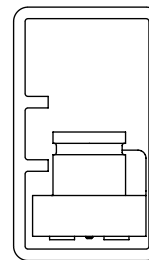
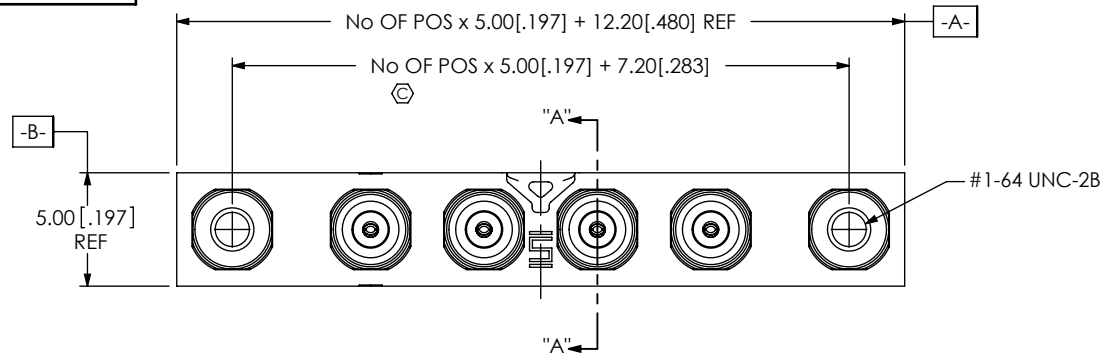
samtec

520 PARK EAST BLVD. NEW ALBANY, IN 47150
 PHONE: 812-944-6733 FAX: 812-948-5047
 e-Mail: info@SAMTEC.com code: 53322

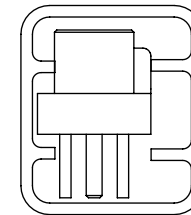
DESCRIPTION:
GANGED RF JACK CONNECTOR

DWG. NO.
GRFX-J-P-XX-XX-XX-XXX-X

BY: CHAD F 9/3/2004 SHEET 1 OF 3



PACKAGING VIEW -SM1
USE: PT-01-24-01-25 & TP-09



PACKAGING VIEW -TH1 & MT1
USE: PT-ASP003 & TP-09

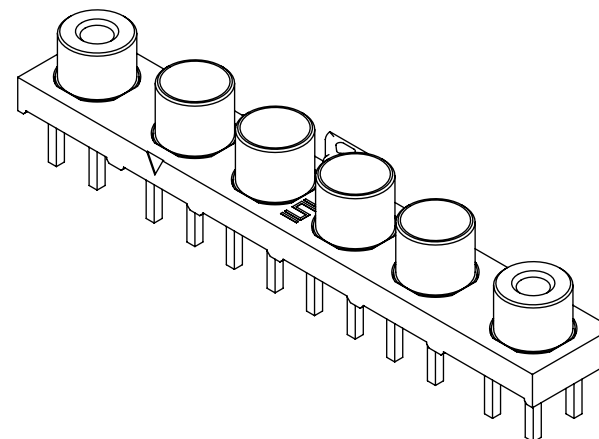
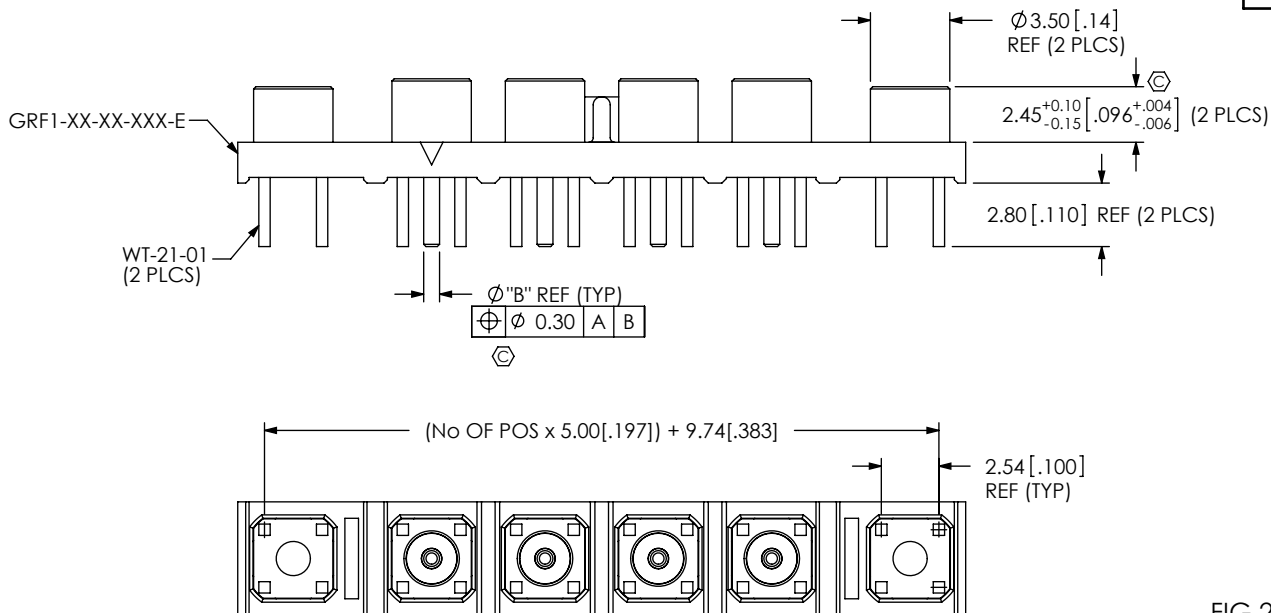


FIG 2
GRF1-J-P-04-XX-ST-TH1-E SHOWN
(SAME AS FIG 1, UNLESS OTHERWISE STATED)

TABLE 2 (PLATING)

SERIES	-E	-HF	-GF
GRF1-	SUB-GRF1-J-P-HF-ST-TH1	N/A	SUB-GRF1-J-P-GF-ST-TH1
GRF7-	N/A	SUB-GRF7-J-P-HF-ST-TH1	SUB-GRF7-J-P-GF-ST-TH1
		* GRF7-J-P-HF-ST-SM1	* GRF7-J-P-GF-ST-SM1
		* GRF7-J-P-HF-ST-MT1	* GRF7-J-P-GF-ST-MT1

TABLE 3 (TERMINATION)

SERIES	-TH1	-SM1	-MT1
GRF1-	SUB-GRF1-J-P-XX-ST-TH1	N/A	N/A
GRF7-	SUB-GRF7-J-P-XX-ST-TH1	* GRF7-J-P-XX-ST-SM1	* GRF7-J-P-XX-ST-MT1

CRITICAL DIMENSION INSPECTION INSTRUCTION TABLE (FOR -E)

ASSEMBLY OPERATION	IN-PROCESS INSPECTION
FILL CONNECTOR & ASSEMBLY THREADED INSERT	C1, C2, C3, C4, C5, C7

PROPRIETARY NOTE

THIS DOCUMENT CONTAINS INFORMATION CONFIDENTIAL AND PROPRIETARY TO SAMTEC, INC. AND SHALL NOT BE REPRODUCED OR TRANSFERRED TO OTHER DOCUMENTS OR DISCLOSED TO OTHERS OR USED FOR ANY PURPOSE OTHER THAN THAT WHICH IT WAS OBTAINED WITHOUT THE EXPRESSED WRITTEN CONSENT OF SAMTEC, INC.

DO NOT SCALE DRAWING

SHEET SCALE: 3:1

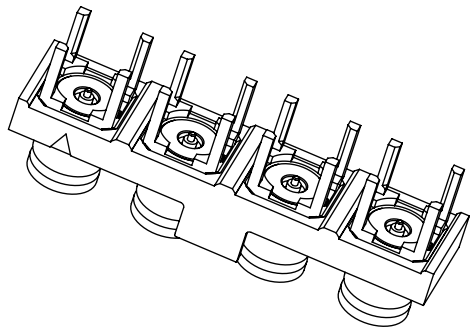


520 PARK EAST BLVD, NEW ALBANY, IN 47150
PHONE: 812-944-6733 FAX: 812-948-5047
e-Mail: info@SAMTEC.com code: 55322

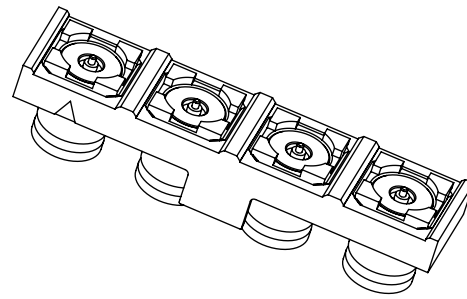
DESCRIPTION:
GANGED RF JACK CONNECTOR

DWG. NO.
GRFX-J-P-XX-XX-XX-XXX-X

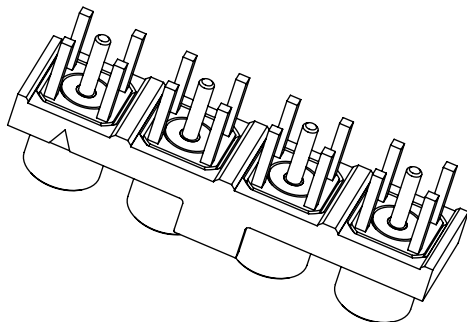
BY: CHAD F 9/3/2004 SHEET 2 OF 3



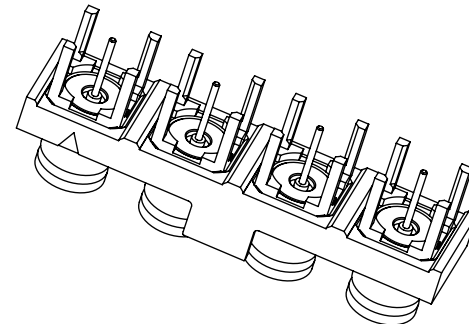
*GRF7-J-P-04-XX-ST-MT1 SHOWN



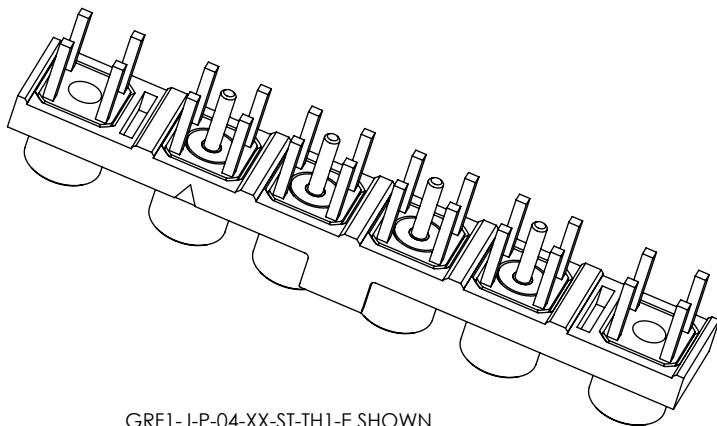
*GRF7-J-P-04-XX-ST-SM1 SHOWN



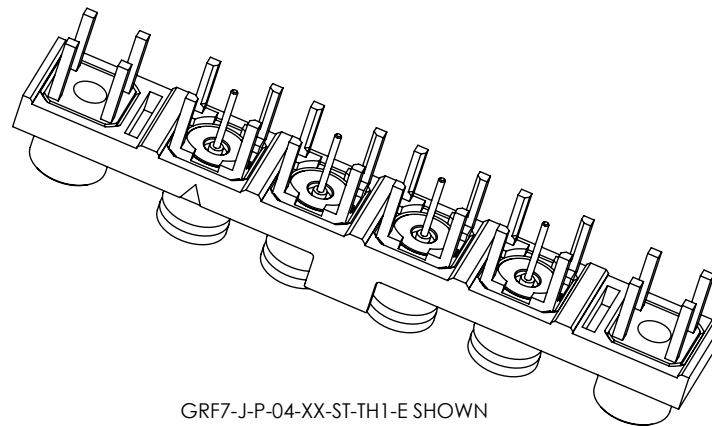
GRF1-J-P-04-XX-ST-TH1 SHOWN



GRF7-J-P-04-XX-ST-TH1 SHOWN



GRF1-J-P-04-XX-ST-TH1-E SHOWN



GRF7-J-P-04-XX-ST-TH1-E SHOWN

PROPRIETARY NOTE

THIS DOCUMENT CONTAINS INFORMATION CONFIDENTIAL AND PROPRIETARY TO SAMTEC, INC. AND SHALL NOT BE REPRODUCED OR TRANSFERRED TO OTHER DOCUMENTS OR DISCLOSED TO OTHERS OR USED FOR ANY PURPOSE OTHER THAN THAT WHICH IT WAS OBTAINED WITHOUT THE EXPRESSED WRITTEN CONSENT OF SAMTEC, INC.

DO NOT SCALE DRAWING

SHEET SCALE: 3:1



520 PARK EAST BLVD, NEW ALBANY, IN 47150
 PHONE: 812-944-6733 FAX: 812-948-5047
 e-Mail: info@SAMTEC.com code: 55322

DESCRIPTION: GANGED RF JACK CONNECTOR

DWG. NO. GRFX-J-P-XX-XX-XX-XXX-X

BY: CHAD F 9/3/2004 SHEET 3 OF 3