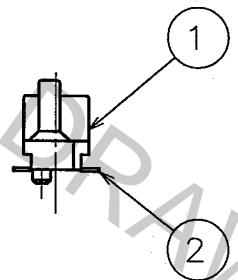
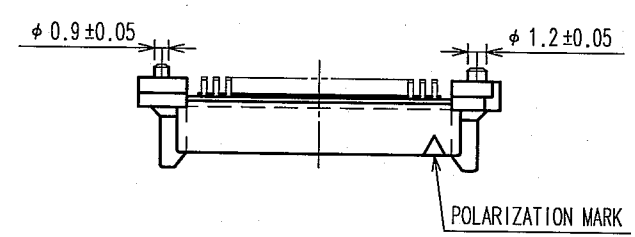
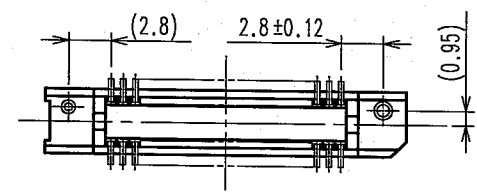
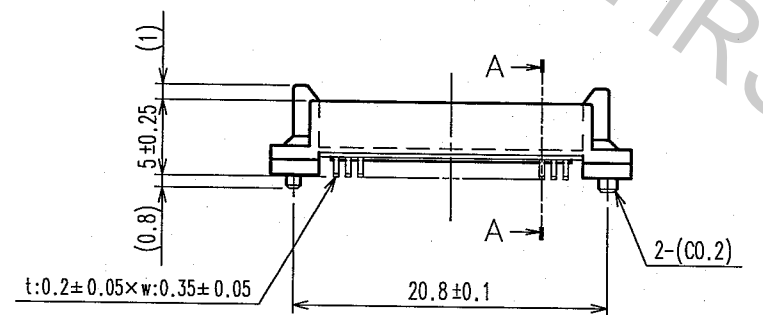
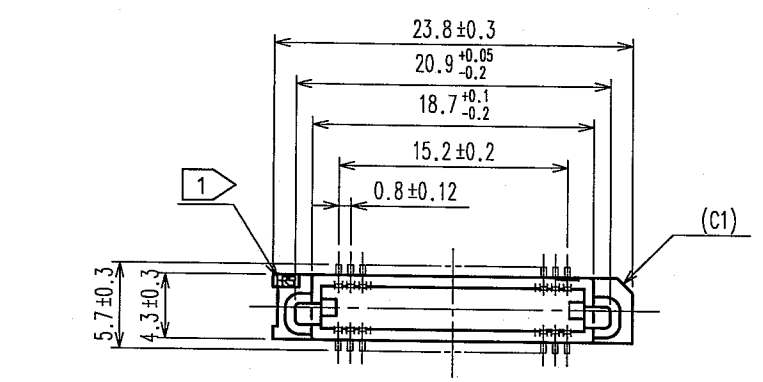
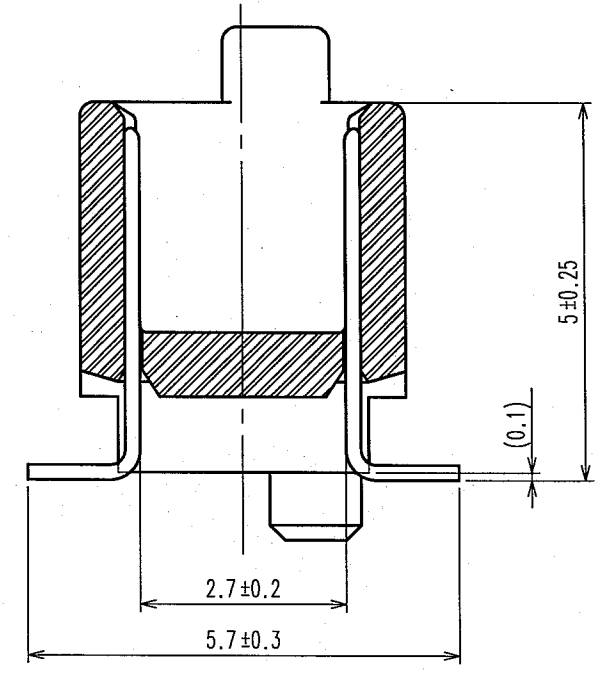


Apr.1.2017 Copyright 2017 HIROSE ELECTRIC CO., LTD. All Rights Reserved.

COUNT	DESCRIPTION OF REVISIONS	BY	CHKD	DATE	COUNT	DESCRIPTION OF REVISIONS	BY	CHKD	DATE
△				..	△				..
△				..	△				..
△				..	△				..

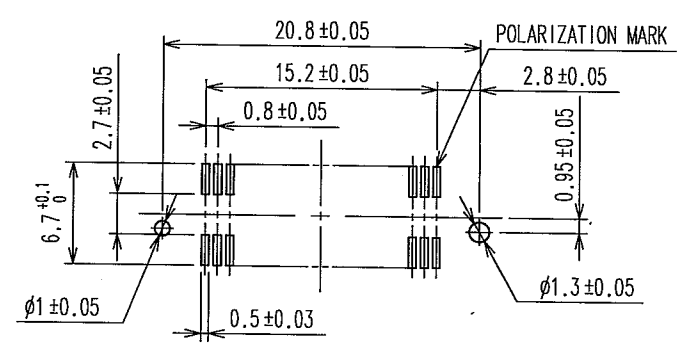


A-A (10:1)



- NOTE
- 1 HRS MARK SHOULD BE PRINTED. (THE PLACE IS ARBITRARY)
 - 2 LEAD CO-PLANARITY SHALL BE 0.1mm MAX.
 - 3 FOR MODIFICATION, ETC., PREVENTIVE HOLE FOR SINK MARK MAY BE ADDED ACCORDING TO CIRCUMSTANCES.
 - 4 THE DIMENSIONS IN PARENTHESES ARE FOR REFERENCE.

RECOMMENDED LAND PATTERN DIMENSIONS
(MOUNT SIDE)



TO
PCK

1	POLYPHENYLENE SULFIDE	LIGHT BROWN (UL94V-0)	2	PHOSPHOR BRONZE	CONTACT AREA: GOLD 0.1μm min. LEAD AREA: TIN 1μm min. UNDER PLATING: NICKEL 1μm min.
NO.	MATERIAL	FINISH, REMARKS	NO.	MATERIAL	FINISH, REMARKS
CODE NO. (OLD)			DRAWN	DESIGNED	CHECKED
			Y. AOYAGI	K. Doi	K. Oizawa
			05.08.30	05.09.02	05.09.02
DRAWING NO.			PART NO.		
EDC3-084966-25			FX6-40P-0.8SV1(71)		
SCALE			CODE NO.		
2 : 1			CL576-0023-6-71		
UNITS			1/1		
mm			HRS HIROSE ELECTRIC CO., LTD		