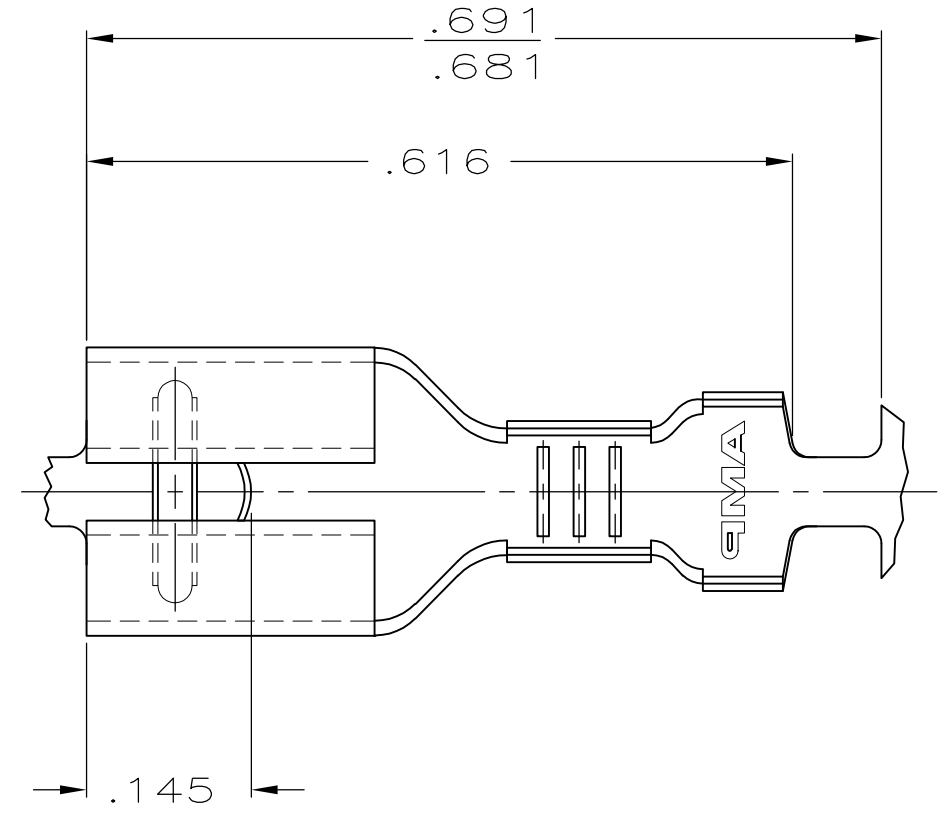
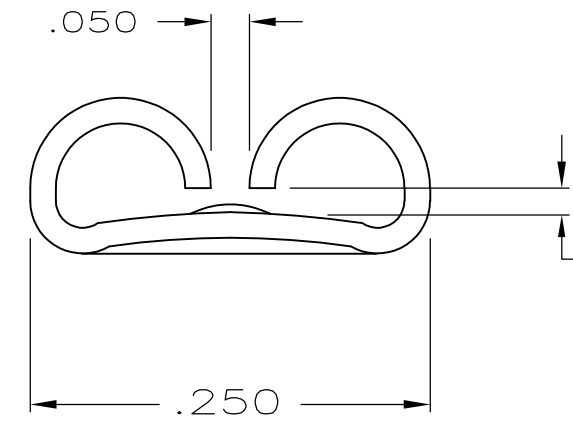


THIS DRAWING IS UNPUBLISHED. RELEASED FOR PUBLICATION
 © COPYRIGHT - By - ALL RIGHTS RESERVED.

LOC	DIST	REVISIONS					
AF	50	P	LTR	DESCRIPTION	DATE	DWN	APVD
			T	REVISED PER ECR-12-013459	28NOV2012	KH	PD

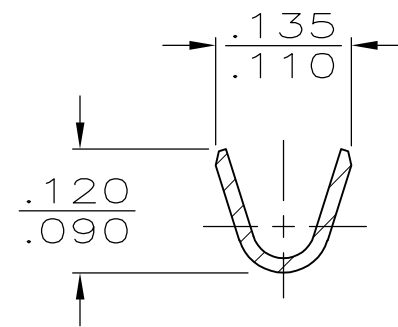
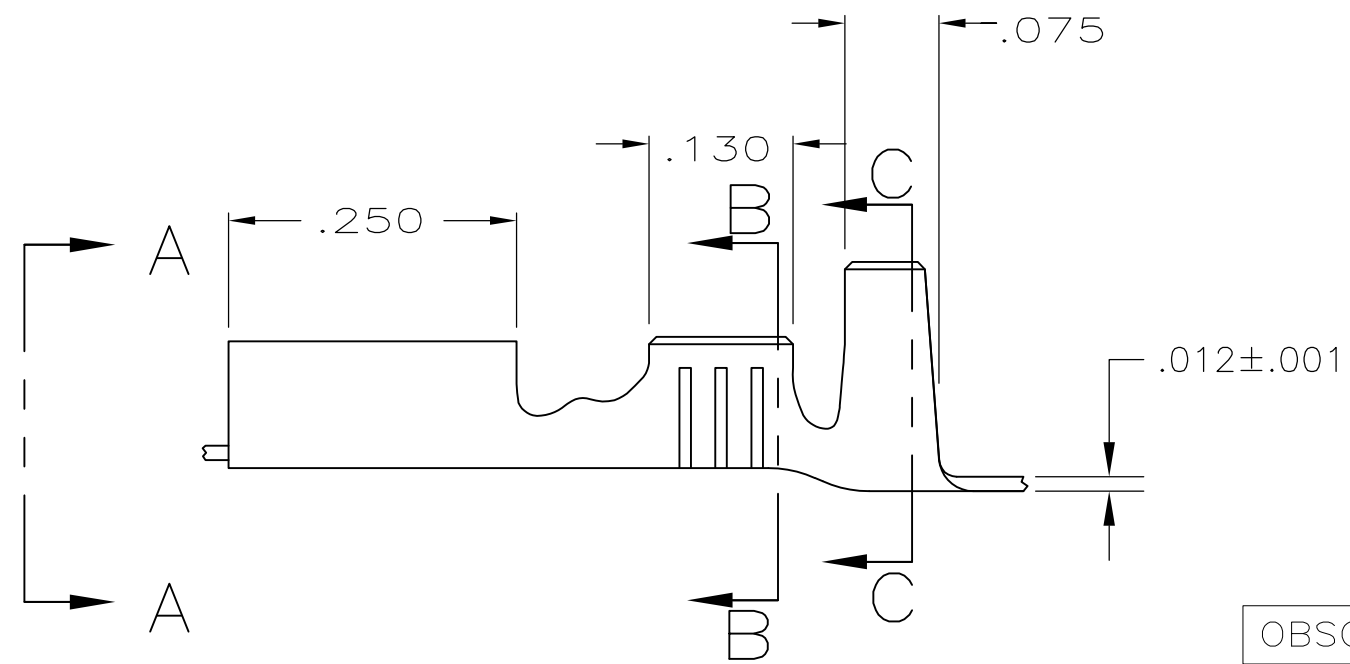


1 CONTINUOUS STRIP ON REELS

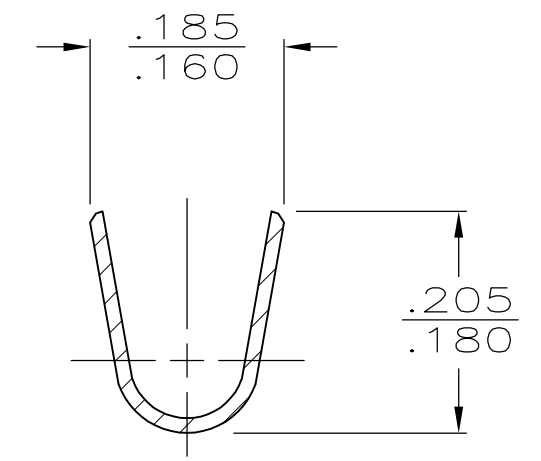


FITS '205' SERIES FASTON TAB

VIEW A-A



SECTION B-B



SECTION C-C

OBSOLETE	TIN				60904-2
	NONE	.032	22-18	.085 - .125	60904-1
	FINISH	MATING TAB THK #.001	WIRE SIZE	INSULATION RANGE	PART NO.

THIS DRAWING IS A CONTROLLED DOCUMENT.		DWN DK SCHRUM 2-24-89	TE Connectivity RECEPTACLE, FASTON, .205 SERIES												
DIMENSIONS: INCHES		CHK JR RUTH 2-24-89				NAME									
TOLERANCES UNLESS OTHERWISE SPECIFIED:		APVD P DESANTIS 2-24-89													
<table border="0"> <tr><td>0 PLC</td><td>± -</td></tr> <tr><td>1 PLC</td><td>± -</td></tr> <tr><td>2 PLC</td><td>± -</td></tr> <tr><td>3 PLC</td><td>± .015</td></tr> <tr><td>4 PLC</td><td>± -</td></tr> <tr><td>ANGLES</td><td>± -</td></tr> </table>		0 PLC				± -	1 PLC	± -	2 PLC	± -	3 PLC	± .015	4 PLC	± -	ANGLES
0 PLC	± -														
1 PLC	± -														
2 PLC	± -														
3 PLC	± .015														
4 PLC	± -														
ANGLES	± -														
MATERIAL BRASS	FINISH SEE TABLE	APPLICATION SPEC	SIZE	CAGE CODE	DRAWING NO	RESTRICTED TO									
		WEIGHT -	A3	00779	C-60904	-									
CUSTOMER DRAWING			SCALE 6:1	SHEET 1 OF 1	REV T										