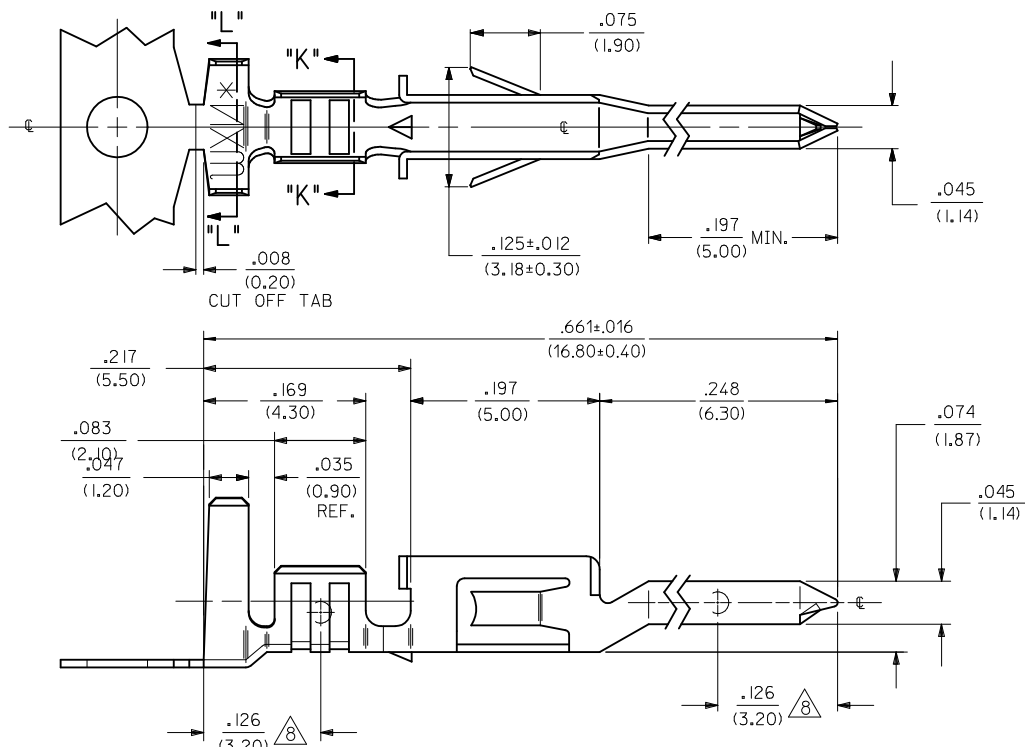
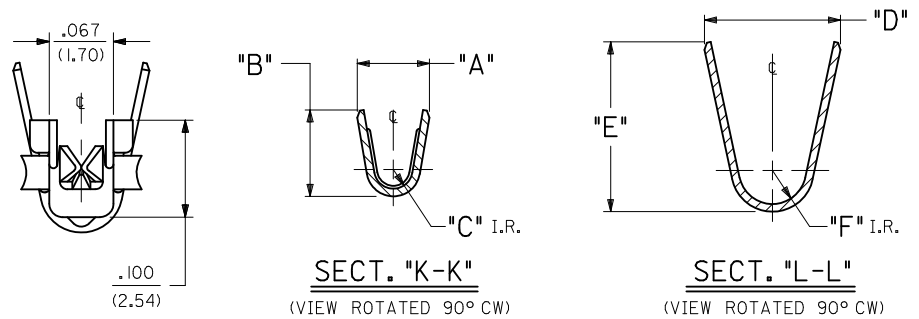


ITEM NO.	FORM	WIRE GAGE	RANGE OF INSULATION DIA.	DIM. "A"	DIM. "B"	DIM. "C"	DIM. "D"	DIM. "E"	DIM. "F"	FINISH (SEE NOTE 2)
46012-1141	CHAIN	18-20 GA.	.051-.122 (1.30-3.10)	.075±.012	.091±.016	.020	.142±.012	.177±.016	.035	FINISH 1 - BRIGHT TIN OVER NICKEL
46012-1142	LOOSE			(1.90±.30)	(2.30±.40)	(.50)	(3.60±.30)	(4.50±.40)	(.90)	
46012-3141	CHAIN	16 GA.	.122 (3.10) MAX.	.091±.012	.106±.016	.024	.142±.012	.177±.016	.035	FINISH 2 - SEL. GOLD AND SEL. MATTE TIN OVER NICKEL
46012-3142	LOOSE			(2.30±.30)	(2.70±.40)	(.60)	(3.60±.30)	(4.50±.40)	(.90)	
46012-1241	CHAIN	18-20 GA.	.051-.122 (1.30-3.10)	.075±.012	.091±.016	.020	.142±.012	.177±.016	.035	FINISH 2 - SEL. GOLD AND SEL. MATTE TIN OVER NICKEL
46012-1242	LOOSE			(1.90±.30)	(2.30±.40)	(.50)	(3.60±.30)	(4.50±.40)	(.90)	
46012-3241	CHAIN	16 GA.	.122 (3.10) MAX.	.091±.012	.106±.016	.024	.142±.012	.177±.016	.035	FINISH 2 - SEL. GOLD AND SEL. MATTE TIN OVER NICKEL
46012-3242	LOOSE			(2.30±.30)	(2.70±.40)	(.60)	(3.60±.30)	(4.50±.40)	(.90)	



- NOTES:
- MATERIAL:
COPPER ALLOY .0080/(.203) THICK.
 - FINISH:
1= .000100/(0.00254) MIN. BRIGHT TIN OVER .000050/(0.00127) MIN NICKEL OVERALL.
2= .000030/(.00076) MIN SELECT GOLD IN CONTACT AREA AND .000100/(0.00254) MIN SELECT MATTE TIN IN CRIMP AREA OVER .000050/(0.00127) MIN NICKEL OVERALL.
GOLD PLATING RECOMMENDED FOR APPLICATIONS WHERE FRETTING CORROSION IS A CONCERN.
 - PRODUCT SPECIFICATION: PS-45750-001 (JR); PS-45750-002 (BMI); PS-45750-003 (TPA)
 - PACKAGING SPECIFICATION: PK-46012-001 FOR CHAIN TERMINALS
PK-5556-003 FOR LOOSE TERMINALS.
 - TERMINAL FOR USE WITH MOLEX PLUG HOUSINGS 5559, 42475, 43770 AND 30068.
 - THIS TERMINAL IS DESIGNED FOR SINGLE WIRE CRIMPING.
 - WHEN TERMINALS ARE INSTALLED IN THE HOUSINGS, THE WIRES ARE TO BE DRESSED IN SUCH A MANNER TO ALLOW THE TERMINALS TO FLOAT FREELY IN THE POCKETS.



LEGEND:

46012 - * * 4 *

BASE NO. _____

WIRE GAGE _____

1= 18-20
3= 16

CHAIN OR LOOSE _____

1= CHAIN
2= LOOSE

PLATING _____

1= TIN
2= GOLD

MODIFIED NOTES EC NO: UCP2010-0471 DRWN: JAGUILAR CHKD: BELL APPR: FSMITH	QUALITY SYMBOLS ▽=0 ▽=0	GENERAL TOLERANCES (UNLESS SPECIFIED) <table border="1"> <tr> <th></th> <th>mm</th> <th>INCH</th> </tr> <tr> <td>4 PLACES</td> <td>± .10</td> <td>± .004</td> </tr> <tr> <td>3 PLACES</td> <td>± .15</td> <td>± .006</td> </tr> <tr> <td>2 PLACES</td> <td>± .25</td> <td>± .010</td> </tr> <tr> <td>1 PLACE</td> <td>± 0.38</td> <td>± .015</td> </tr> </table>		mm	INCH	4 PLACES	± .10	± .004	3 PLACES	± .15	± .006	2 PLACES	± .25	± .010	1 PLACE	± 0.38	± .015	DIMENSION STYLE IN/MM	SCALE DESIGN UNITS METRIC	THIRD ANGLE PROJECTION
		mm	INCH																	
	4 PLACES	± .10	± .004																	
	3 PLACES	± .15	± .006																	
2 PLACES	± .25	± .010																		
1 PLACE	± 0.38	± .015																		
DRAFT WHERE APPLICABLE MUST REMAIN WITHIN DIMENSIONS	DRAWN BY TGREGORI DATE 2005/07/28	CHECKED BY GPOLGAR DATE 2005/07/28	TITLE TERM., MALE, CRIMP MINI-FIT JR. HCS PLUS SERIES	MOLEX INCORPORATED	SHEET NO. 1 OF 1															
MATERIAL NO. SEE CHART	APPROVED BY JCOMERC I DATE 2005/07/28	DOCUMENT NO. SD-46012-001	THIS DRAWING CONTAINS INFORMATION THAT IS PROPRIETARY TO MOLEX INCORPORATED AND SHOULD NOT BE USED WITHOUT WRITTEN PERMISSION																	
REV D2	DESCRIPTION DESCRIPTION																			