

Evaluation Board for the ADP5033 Micro PMU

FEATURES

Full-featured evaluation board for the [ADP5033](#)

Standalone capability

Simple device measurements, including line and load regulation, demonstrable with

A voltage supply

A voltmeter

An ammeter

Load resistors

Easy access to external components

Cascading options to supply the LDO from either buck

Dedicated enable option for each channel

Mode option to change bucks from PSM to PWM operation

DOCUMENTS NEEDED

[ADP5033](#) data sheet

GENERAL DESCRIPTION

The [ADP5033](#) evaluation board is a two-step-down regulator with a two-LDO solution that enables evaluation of the [ADP5033](#). The evaluation board is available in standard voltage options.

The [ADP5033](#) uses a proprietary high speed, current mode, constant frequency PWM control scheme for excellent stability and transient response. To ensure the longest battery life in portable applications, the [ADP5033](#) features a power save mode (PSM) that reduces the switching frequency under light load conditions, as well as the option to change the mode to fixed PWM operation. The 3 MHz switching frequency minimizes the size of the external components.

The low quiescent current, low dropout voltage, and wide input voltage range of the [ADP5033](#) LDO extends the battery life of portable devices.

Full details on the [ADP5033](#) are provided in the [ADP5033](#) data sheet available from Analog Devices, Inc., which should be consulted in conjunction with this evaluation board user guide.

TOP LAYER OF THE EVALUATION BOARD

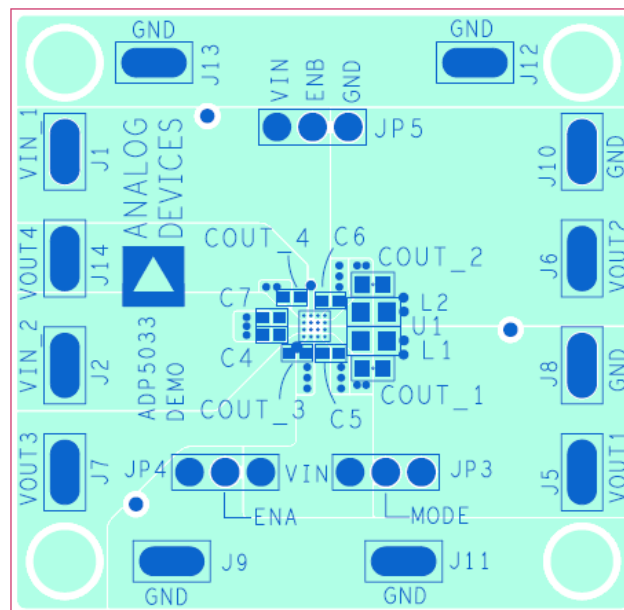


Figure 1. Top Layer, Recommended Layout

09879-010

TABLE OF CONTENTS

Features	1	Measuring Evaluation Board Performance	3
Documents Needed	1	Measuring Output Voltage	6
General Description	1	Measuring Ground Current	7
Top Layer of the Evaluation Board.....	1	Evaluation Board Schematics and Artwork.....	8
Revision History	2	Ordering Information.....	10
Using the Evaluation Board.....	3	Bill of Materials.....	10
Powering Up the Evaluation Board.....	3		

REVISION HISTORY

8/11—Revision 0: Initial Version

USING THE EVALUATION BOARD

POWERING UP THE EVALUATION BOARD

The [ADP5033](#) evaluation board is supplied fully assembled and tested. Before applying power to the evaluation board, follow the procedures in this section.

Enable JP4 (EnA) and JP5 (EnB)

When the [ADP5033](#) has an input voltage above the minimum UVLO setting, the [ADP5033](#) BUCK2 and LDO1 are enabled by connecting JP4 (EnA) from Pin 1 to Pin 2. BUCK1 and LDO2 are enabled by connecting JP5 (EnB) from Pin 1 to Pin 2.

Jumper JP3 (Mode)

Jumper JP3 (Mode) pulled high to J1 (VIN_1) forces BUCK1 and BUCK2 into forced PWM operation. JP3 (Mode) pulled low to J11 (GND1) allows BUCK1 and BUCK2 to operate in automatic PWM/PSM operation.

Input Power Source

If the input power source includes a current meter, use that meter to monitor the input current. Connect the positive terminal of the power source to J1 (VIN_1) on the evaluation board, and the negative terminal of the power source to J11 (GND1).

If the power source does not include a current meter, connect a current meter in series with the input source voltage. Connect the positive lead (+) of the power source to the ammeter positive (+) connection, the negative lead (-) of the power source to J11 (GND1) on the evaluation board, and the negative lead (-) of the ammeter to J1 (VIN_1) on the board. Be aware that the current meters add resistance to the input source and this voltage reduces with high output currents.

Output Load

Connect an electronic load or resistor to set the load current. If the load includes an ammeter, or if the current is not measured, connect the load directly to the evaluation board, with the positive (+) load connected to one of the channels. For example, connect BUCK1, J5 (VOUT1) and the negative (-) load connection to J8 (PGND).

If an ammeter is used, connect it in series with the load. Connect the positive (+) ammeter terminal to the evaluation board for BUCK1, J5 (VOUT1), the negative (-) ammeter terminal to the positive (+) load terminal, and the negative (-) load terminal to the evaluation board J8 (PGND).

Input and Output Voltmeters

Measure the input and output voltages with voltmeters. Make sure that the voltmeters are connected to the appropriate evaluation board terminals and not to the load or power source themselves.

If the voltmeters are not connected directly to the evaluation board, the measured voltages will be incorrect due to the voltage drop across the leads and/or connections between the evaluation board, the power source, and/or the load.

Connect the input voltage measuring voltmeter positive terminal (+) to the evaluation board via J1 (VIN_1), and the negative (-) terminal to the evaluation board via J11 (GND1).

Connect the output voltage measuring voltmeter positive (+) terminal to the evaluation board via J5 (VOUT1) for measuring the output voltage of BUCK1 and the negative (-) terminal to the evaluation board via J8 (PGND).

Turning On the Evaluation Board

When the power source and load are connected to the [ADP5033](#) evaluation board, the board can be powered for operation.

Perform the following steps:

1. Ensure that the power source voltage is greater than 4.2 V but less than 5.5 V.
2. Ensure that the desired channel is enabled, and monitor the output voltage.

If the load is not already enabled, enable the load; check that it is drawing the proper current, and that the output voltage maintains voltage regulation.

MEASURING EVALUATION BOARD PERFORMANCE

Measuring Output Voltage Ripple on the Buck Regulator

To observe the output voltage ripple of BUCK1, place an oscilloscope probe across the output capacitor (COUT_1) with the probe ground lead at the negative (-) capacitor terminal and the probe tip at the positive (+) capacitor terminal. Set the oscilloscope to ac, 20 mV/division, and 2 μ s/division time base.

Measuring the Switching Waveform

To observe the switching waveform with an oscilloscope, place the oscilloscope probe tip at the end of the inductor with the probe ground at GND. Set the oscilloscope to dc, 2 V/division, and 2 μ s/division time base.

Measuring Load Regulation

Test the load regulation by increasing the load at the output and looking at the change in output voltage. To minimize voltage drop, use short low resistance wires, especially for loads approaching maximum current.

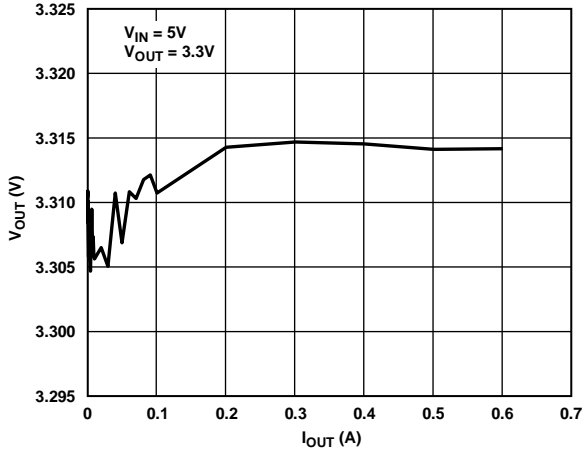


Figure 2. Buck Load Regulation

09879-002

Measuring Line Regulation

Vary the input voltage and examine the change in the output voltage.

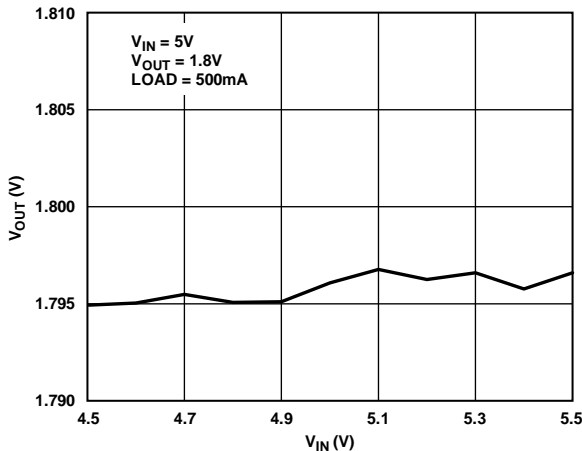


Figure 3. Buck Line Regulation

09879-003

Measuring Efficiency

Measure the efficiency, η , by comparing the input power with the output power.

$$\eta = \frac{V_{OUT} \times I_{OUT}}{V_{IN} \times I_{IN}}$$

Measure the input and output voltages as close as possible to the input and output capacitors to reduce the effect of IR drops.

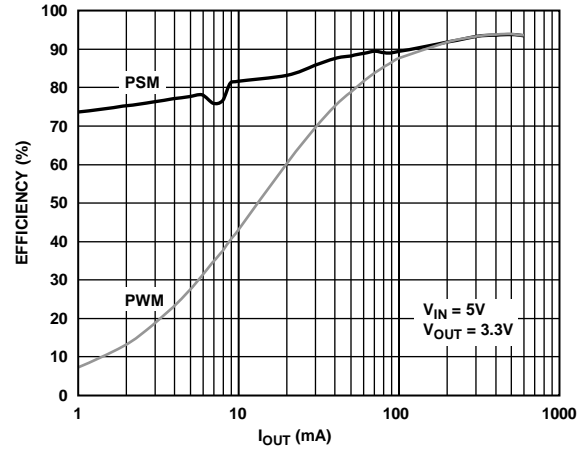


Figure 4. Buck Efficiency

09879-004

Measuring Inductor Current

Measure the inductor current by removing one end of the inductor from its pad and connecting a current loop in series. A current probe can be connected onto this wire.

Line Regulation of LDOs

For line regulation measurements, the regulator output is monitored while its input is varied. For good line regulation, the output must change as little as possible with varying input levels. To ensure that the device is not in dropout mode during this measurement, V_{IN} must be varied between V_{OUT} nominal + 0.5 V (or 2.3 V, whichever is greater) and V_{IN} maximum. For example, a fixed 2.8 V output needs V_{IN} to be varied between 3.3 V and 5.5 V. This measurement can be repeated under different load conditions. Figure 5 shows the typical line regulation performance of the LDO with fixed 2.8 V output.

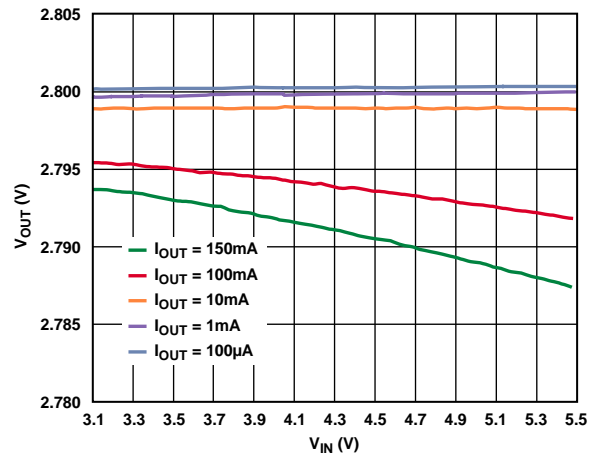


Figure 5. LDO Line Regulation

09879-005

Load Regulation of LDO

For load regulation measurements, the regulator output is monitored while the load is varied. For good load regulation, the output must change as little as possible with varying loads. The input voltage must be held constant during this measurement. The load current can be varied from 0 mA to 150 mA. Figure 6 shows the typical load regulation performance of the LDO with fixed 2.8 V output for an input voltage of 3.3 V.

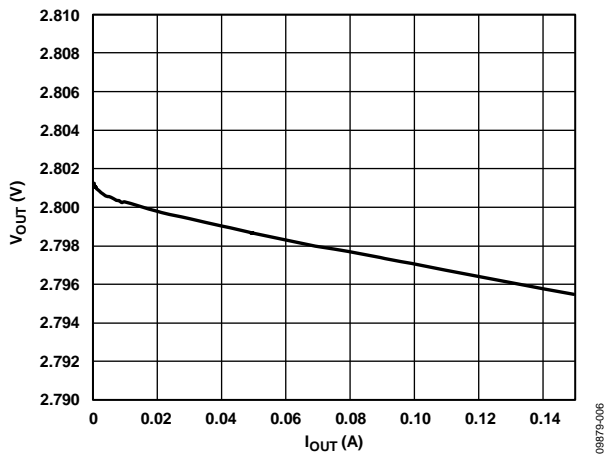


Figure 6. LDO Load Regulation

Dropout Voltage of LDO

Dropout voltage is defined as the input-to-output voltage differential when the input voltage is set to the nominal output voltage. This applies only for output voltages greater than 2.3 V. Dropout voltage increases with larger loads. For more accurate measurements, a second voltmeter can be used to monitor the input voltage across the input capacitor. The input supply voltage may need to be adjusted to account for IR drops, especially if large load currents are used.

Ground Current Consumption of LDO

Ground current measurements can determine how much current the internal circuits of the regulator consume while the circuits perform the regulation function. To be efficient, the regulator needs to consume as little current as possible. Typically, the regulator uses the maximum current when supplying its largest load level (300 mA). When the device is disabled, the ground current drops to less than 1 mA.

MEASURING GROUND CURRENT

Figure 8 shows the evaluation board connected to a voltage source and an ammeter for ground current measurements. A resistor can be used as the load for the regulator. Ensure that the resistor has a power rating that is adequate to handle the power

expected to be dissipated across it. An electronic load can be used as an alternative. Ensure that the voltage source used can supply enough current for the expected load levels.

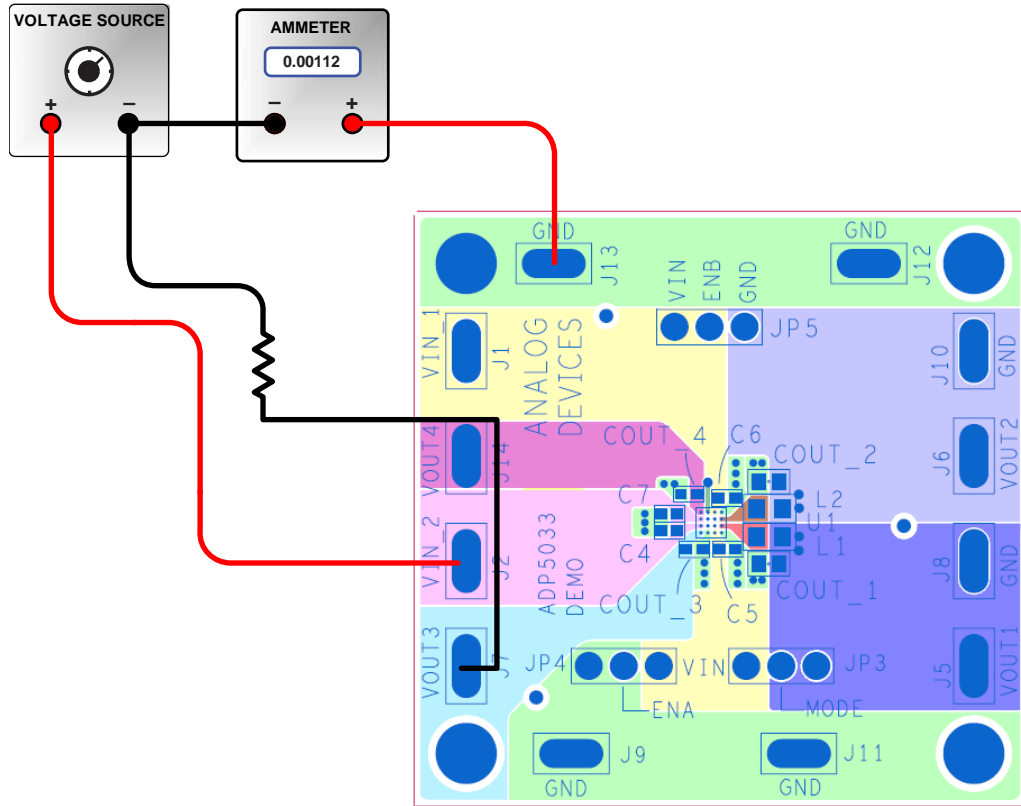


Figure 8. Ground Current Measurement

03879-008

EVALUATION BOARD SCHEMATICS AND ARTWORK

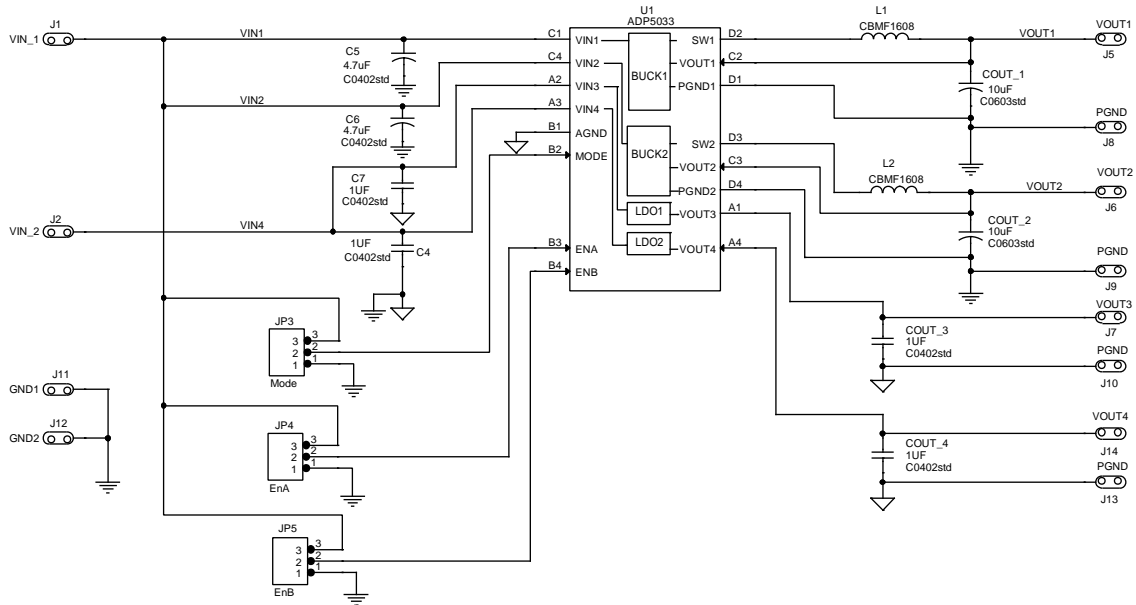


Figure 9. Evaluation Board Schematic of ADP5033

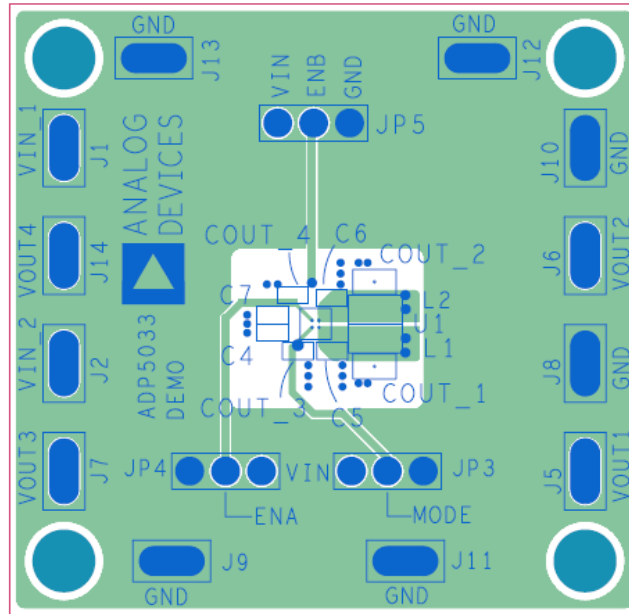
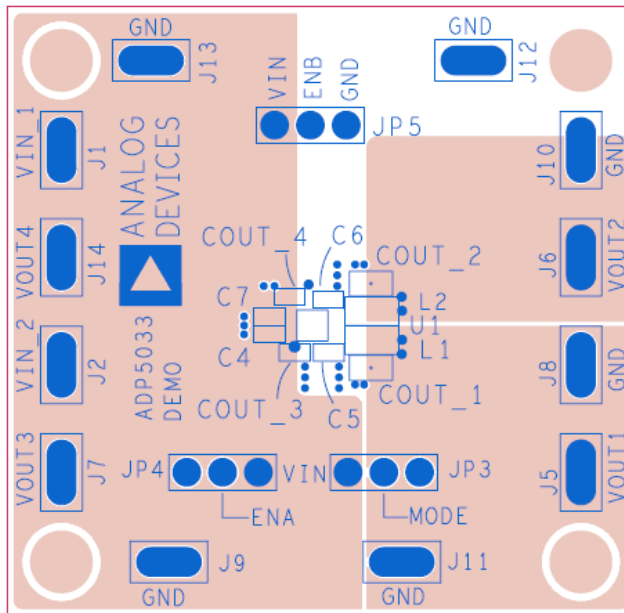
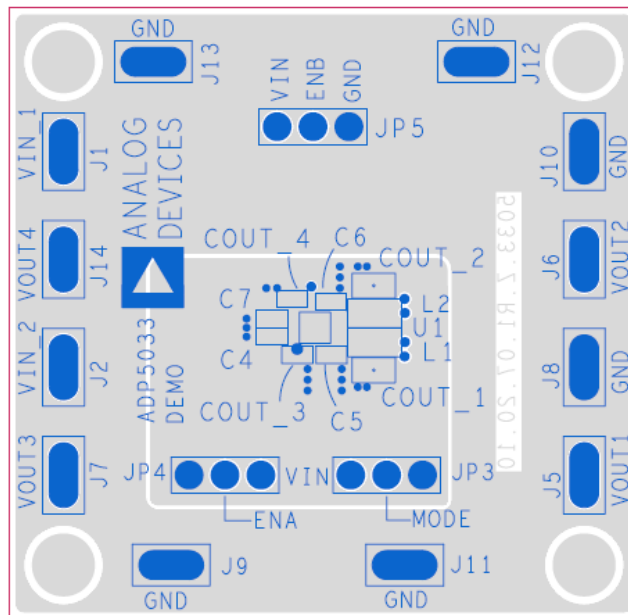


Figure 10. Second Layer, Recommended Layout



08879-012

Figure 11. Third Layer, Recommended Layout



08879-013

Figure 12. Bottom Layer, Recommended Layout

ORDERING INFORMATION**BILL OF MATERIALS**

Table 1.

Qty.	Reference Designator	Description	Manufacturer	Part Number
1	U1	ADP5033 micro PMU—4 regulators	Analog Devices	ADP5033
2	C5, C6	Capacitor, MLCC, 4.7 μ F, 6.3 V, 0402, X5R	Panasonic—ECG	ECJ-0EBOJ475M
3	C7, C4, COUT_3, COUT_4	Capacitor, MLCC, 1.0 μ F, 6.3 V, 0402, X5R	Taiyo Yuden	LMK105BJ105MV-F
2	COUT_2, COUT_1	Capacitor, MLCC, 10.0 μ F, 6.3 V, 0603, X5R	Taiyo Yuden	JMK107BJ106MA-T
2	L1, L2	Inductor, 1.0 μ H, 0.29 A, 90 m Ω	Taiyo Yuden	CBMF1608T1R0M

NOTES

NOTES

**ESD Caution**

ESD (electrostatic discharge) sensitive device. Charged devices and circuit boards can discharge without detection. Although this product features patented or proprietary protection circuitry, damage may occur on devices subjected to high energy ESD. Therefore, proper ESD precautions should be taken to avoid performance degradation or loss of functionality.

Legal Terms and Conditions

By using the evaluation board discussed herein (together with any tools, components documentation or support materials, the "Evaluation Board"), you are agreeing to be bound by the terms and conditions set forth below ("Agreement") unless you have purchased the Evaluation Board, in which case the Analog Devices Standard Terms and Conditions of Sale shall govern. Do not use the Evaluation Board until you have read and agreed to the Agreement. Your use of the Evaluation Board shall signify your acceptance of the Agreement. This Agreement is made by and between you ("Customer") and Analog Devices, Inc. ("ADI"), with its principal place of business at One Technology Way, Norwood, MA 02062, USA. Subject to the terms and conditions of the Agreement, ADI hereby grants to Customer a free, limited, personal, temporary, non-exclusive, non-sublicensable, non-transferable license to use the Evaluation Board FOR EVALUATION PURPOSES ONLY. Customer understands and agrees that the Evaluation Board is provided for the sole and exclusive purpose referenced above, and agrees not to use the Evaluation Board for any other purpose. Furthermore, the license granted is expressly made subject to the following additional limitations: Customer shall not (i) rent, lease, display, sell, transfer, assign, sublicense, or distribute the Evaluation Board; and (ii) permit any Third Party to access the Evaluation Board. As used herein, the term "Third Party" includes any entity other than ADI, Customer, their employees, affiliates and in-house consultants. The Evaluation Board is NOT sold to Customer; all rights not expressly granted herein, including ownership of the Evaluation Board, are reserved by ADI. CONFIDENTIALITY. This Agreement and the Evaluation Board shall all be considered the confidential and proprietary information of ADI. Customer may not disclose or transfer any portion of the Evaluation Board to any other party for any reason. Upon discontinuation of use of the Evaluation Board or termination of this Agreement, Customer agrees to promptly return the Evaluation Board to ADI. ADDITIONAL RESTRICTIONS. Customer may not disassemble, decompile or reverse engineer chips on the Evaluation Board. Customer shall inform ADI of any occurred damages or any modifications or alterations it makes to the Evaluation Board, including but not limited to soldering or any other activity that affects the material content of the Evaluation Board. Modifications to the Evaluation Board must comply with applicable law, including but not limited to the RoHS Directive. TERMINATION. ADI may terminate this Agreement at any time upon giving written notice to Customer. Customer agrees to return to ADI the Evaluation Board at that time. LIMITATION OF LIABILITY. THE EVALUATION BOARD PROVIDED HEREUNDER IS PROVIDED "AS IS" AND ADI MAKES NO WARRANTIES OR REPRESENTATIONS OF ANY KIND WITH RESPECT TO IT. ADI SPECIFICALLY DISCLAIMS ANY REPRESENTATIONS, ENDORSEMENTS, GUARANTEES, OR WARRANTIES, EXPRESS OR IMPLIED, RELATED TO THE EVALUATION BOARD INCLUDING, BUT NOT LIMITED TO, THE IMPLIED WARRANTY OF MERCHANTABILITY, TITLE, FITNESS FOR A PARTICULAR PURPOSE OR NON-INFRINGEMENT OF INTELLECTUAL PROPERTY RIGHTS. IN NO EVENT WILL ADI AND ITS LICENSORS BE LIABLE FOR ANY INCIDENTAL, SPECIAL, INDIRECT, OR CONSEQUENTIAL DAMAGES RESULTING FROM CUSTOMER'S POSSESSION OR USE OF THE EVALUATION BOARD, INCLUDING BUT NOT LIMITED TO LOST PROFITS, DELAY COSTS, LABOR COSTS OR LOSS OF GOODWILL. ADI'S TOTAL LIABILITY FROM ANY AND ALL CAUSES SHALL BE LIMITED TO THE AMOUNT OF ONE HUNDRED US DOLLARS (\$100.00). EXPORT. Customer agrees that it will not directly or indirectly export the Evaluation Board to another country, and that it will comply with all applicable United States federal laws and regulations relating to exports. GOVERNING LAW. This Agreement shall be governed by and construed in accordance with the substantive laws of the Commonwealth of Massachusetts (excluding conflict of law rules). Any legal action regarding this Agreement will be heard in the state or federal courts having jurisdiction in Suffolk County, Massachusetts, and Customer hereby submits to the personal jurisdiction and venue of such courts. The United Nations Convention on Contracts for the International Sale of Goods shall not apply to this Agreement and is expressly disclaimed.