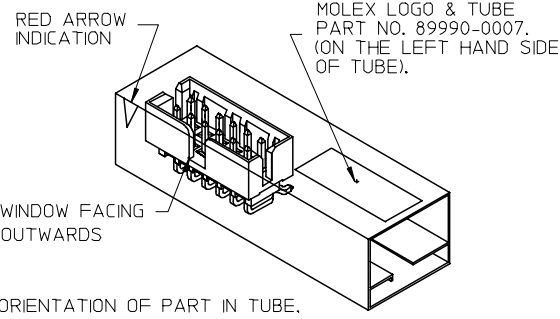
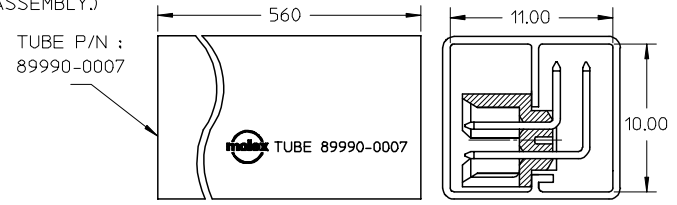


PART NO.	CKT SIZE	KINK CKT	DIMENSION				
			A	B	C	D	E
87833-8000	22	1, 2, 21 & 22	20.00	22.85	24.65	23.00	16.00



REF: ORIENTATION OF PART IN TUBE.
(FOR THE REFERENCE OF PART/TUBE ASSEMBLY.)



- REF: ORIENTATION OF PART IN TUBE.
- NOTES:
- MATERIAL :
HOUSING : 30% G.F., NYLON 46, UL94V-0, COLOR BLACK.
PIN : 0.50MM SQ. PHOSPHOR BRONZE.
 - PLATING :
0.38um/15uin GOLD IN CONTACT AREA AND 1.88um/75uin MIN. TIN IN SOLDER TAIL AREA OVER 1.27um/50uin MIN. NICKEL OVERALL.
 - PRODUCT SPECIFICATION PS-87831-027 APPLIES.
 - LINKWAYS VARIES FROM PART TO PART BECAUSE OF DIFFERENT MOLD.
 - RECOMMENDED PCB THICKNESS : 1.60±0.10 MM.
 - PARTS ARE TO BE PACKED IN TUBE WITH MOISTURE BARRIER BAG.
 - THIS HEADER MATES WITH MOLEX:
 - CRIMP RECEPTACLE HOUSING, 51110 SERIES WITH CRIMP TERMINAL, 50394 SERIES.
 - 2MM MILLIGRID DUAL ROW IDT, 87568 SERIES.

ADD MOIST BAG NOTE
EC NO: S2007-0931
DRWN: GVENARLY
CHKD: SXANG
APPR: MLONG

QUALITY SYMBOLS	DESCRIPTION
▽=0	
▽C=0	

GENERAL TOLERANCES (UNLESS SPECIFIED)		DIMENSION STYLE		SCALE		DESIGN UNITS		THIRD ANGLE PROJECTION	
		MM ONLY		NTS		METRIC			
4 PLACES ± --- ± ---		DRAWN BY		DATE		TITLE			
3 PLACES ± --- ± ---		ATSEE		2003/10/27		MGRID, SHROUDED HDR, R/A			
2 PLACES ± 0.2 ± ---		CHECKED BY		DATE		W/SLOT/STANDOFF			
1 PLACE ± --- ± ---		KCLING		2003/11/07		AND KINKED SOLDER TAIL			
ANGULAR ± 3 °		APPROVED BY		DATE		MOLEX		MOLEX INCORPORATED	
		SKTOH		2003/11/07		DOCUMENT NO.		SHEET NO.	
DRAFT WHERE APPLICABLE MUST REMAIN WITHIN DIMENSIONS		SEE TABLE		SD-87833-017				1 OF 1	
THIS DRAWING CONTAINS INFORMATION THAT IS PROPRIETARY TO MOLEX INCORPORATED AND SHOULD NOT BE USED WITHOUT WRITTEN PERMISSION									