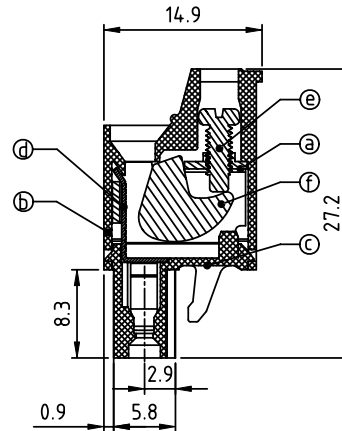
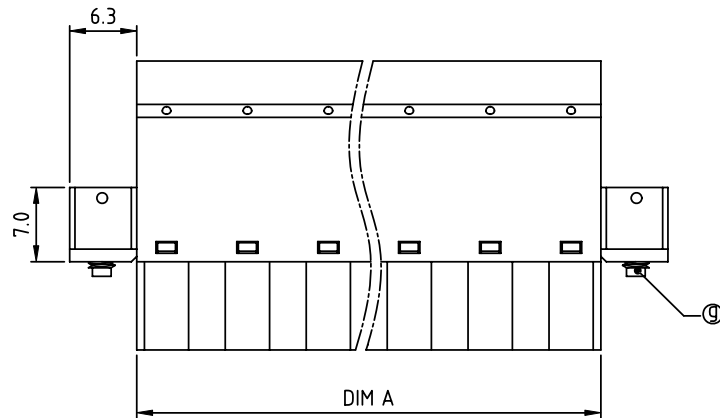
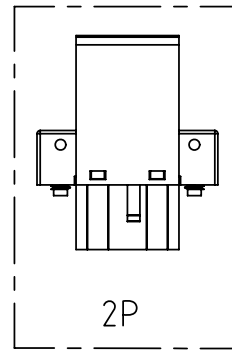
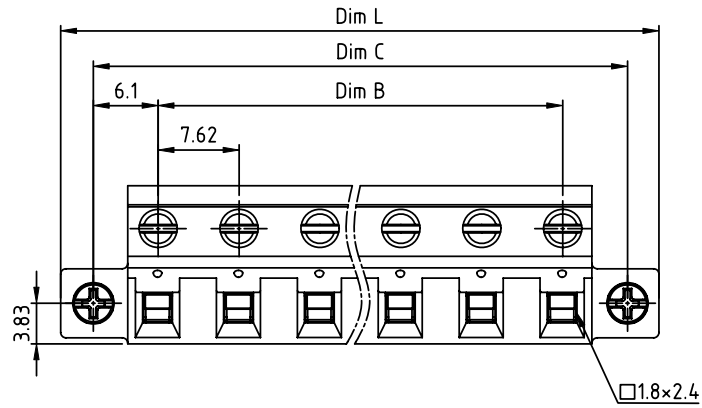


PRODUCT NUMBER	PITCH
VMxx05x300J0G	7.62 mm



- Material:
- Item ① Clamp: Steel Zinc plated
  - Item ② Terminal (top body): Thermoplastic (UL94V-0)
  - Item ③ Terminal (bottom body): Thermoplastic (UL94V-0)
  - Item ④ Female contact: High conductivity copper, Tin plated.
  - Item ⑤ Terminal screw: Steel Zinc plating "-" slot type
  - Item ⑥ Clamp cage: Steel/steel Zinc plated
  - Item ⑦ With flange screw: Steel Zinc plated, M2.5

- Electrical: cULus
- Voltage rating: 300V
  - Current rating: 20A
  - Wire range:
  - Solid wire (AWG): 12-22
  - Stranded wire (AWG): 12-22
  - Torque: 3.5 Lb-In
  - Screw: M2.5
  - Wire strip length: 8-9mm
  - Withstanding Voltage: 1.6KV
  - Operating temperature: -40°C to +115°C
  - Safety Approval:

DIMENSION

Dim L	(N-1)×7.62+18.24
Dim A	(N-1)×7.62+5.62
Dim B	(N-1)×7.62
Dim C	(N-1)×7.62+12.2

N=Number of poles

Poles	Tolerance
2p-4p	±0.15
5p-8p	±0.20
9p-12p	±0.30
13p-16p	±0.40

PART NO.: VM xx 05 x 3 00J0 G

	Solid block	No. of poles	Color	RoHS compliant (lead<4%) In copper Alloy
0	Black (RAL9005)			
02	2 poles	3	Red (RAL3001/D)	
03	3 poles	4	Orange (RAL2011/P)	
		5	Yellow (RAL1018/A)	
...	...	6	Green (RAL6018/T)	
16	16 poles	8	Blue (RAL5015/A)	
		6	Grey (RAL7035/D)	
		9	White (RAL1102)	
		C	Green (RAL6018/U)	

mat'l. code		surface ASME Y14.5	tolerance ASME Y14.5	projection	product family
itr ecn no dr date		tolerances unless otherwise specified			TERMINAL BLOCK
angles		X.±0.5		MM	title
X*±1"		X.X±0.3			TERMINAL BLOCK
dr		X.XX±0.1		scale	PLUGGABLE PLUG, WITH FLANGE, LOW PROFILE
ENGR		EVIN ZHONG 042114			dwg no
ENGR		EVIN ZHONG 042114			sheet 1 of 1
ENGR		EVIN ZHONG 042114			size
chr		HANKE FENG 042114			VMxx05x300J0G
appd		SHI JUN 042114			A4
sheet index	revision	A			type
	sheet	1			CUSTOMER Drawing