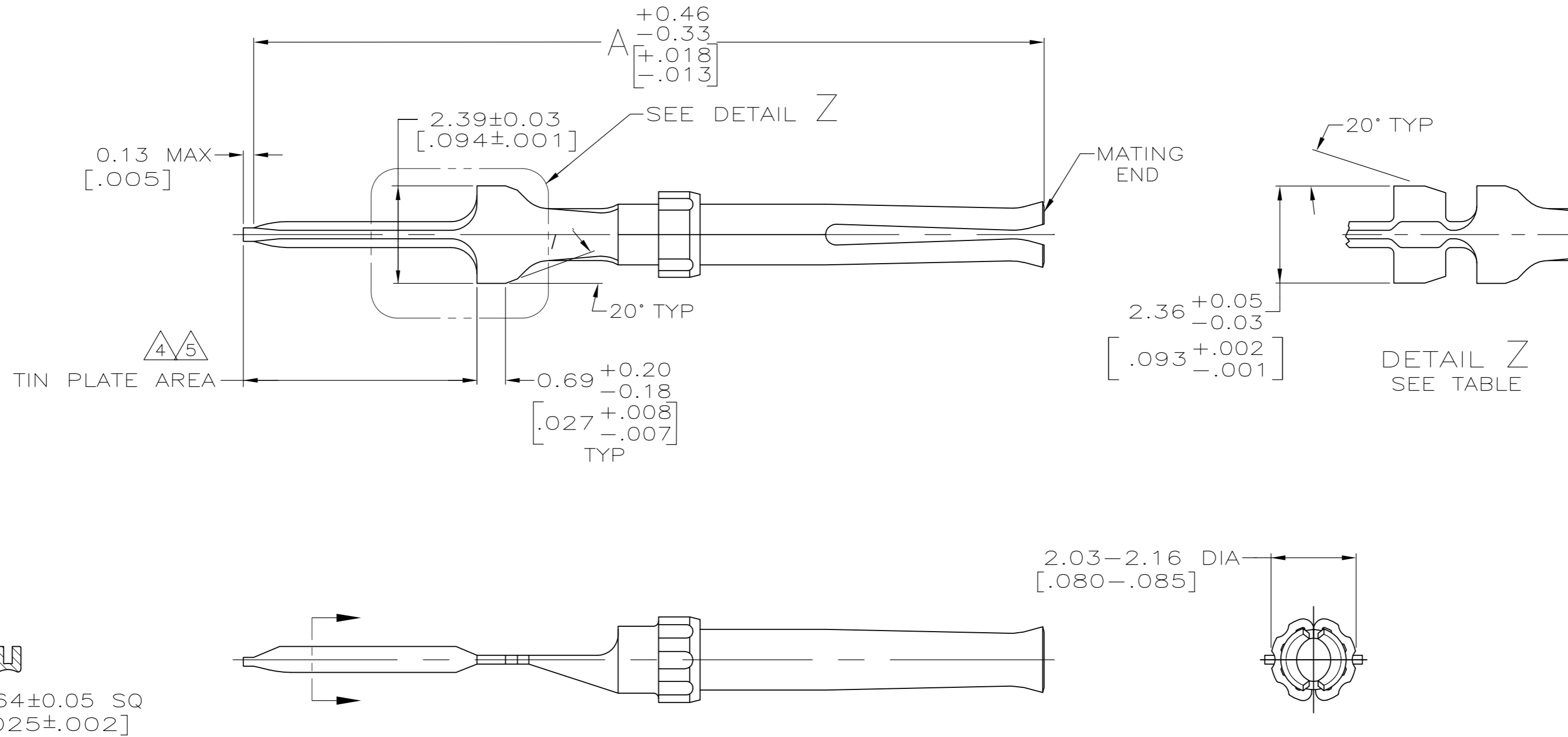


THIS DRAWING IS UNPUBLISHED. RELEASED FOR PUBLICATION
 © COPYRIGHT - By - ALL RIGHTS RESERVED.

LOC		DIST		REVISIONS			
P	LTR	DESCRIPTION		DATE	DWN	APVD	
GP	00	M		REVISED PER ECO-12-021105	27DEC2012	CJV	SLB



- FOR MATING CONTACT SEE DRAWING 745287.
- TO BE USED FOR REPLACEMENT ONLY.
- PLATED GOLD FLASH FOR LENGTH OF 2.54 [.100] MIN FROM MATING END, 2.54µm [.000100] MIN TIN ON TIN PLATE AREA, ALL OVER 1.27µm [.000050] MIN NICKEL.
- PLATED GOLD FLASH FOR LENGTH OF 2.54 [.100] MIN FROM MATING END 2.54µm [.000100] MIN TIN-LEAD ON TIN PLATE AREA, ALL OVER 1.27µm [.000050] MIN NICKEL.
- PLATED 0.76µm [.000030] GOLD FOR LENGTH OF 2.54 [.100] MIN FROM MATING END, 2.54µm [.000100] MIN TIN-LEAD ON TIN PLATE AREA, ALL OVER 1.27µm [.000050] MIN NICKEL.
- GOLD PLATED AS FOLLOWS:
 PLATED WITH 0.76µm [.000030] GOLD FOR A LENGTH OF 2.54 [.100] MIN FROM MATING END, 2.54µm [.000100] MIN TIN ON TIN PLATE AREA, ALL OVER 1.27µm [.000050] MIN NICKEL.
 OR
 GOLD FLASH OVER PALLADIUM-NICKEL PLATE, 0.76µm [.000030] MIN TOTAL FOR A LENGTH OF 2.54 [.100] MIN FROM MATING END, 2.54µm [.000100] MIN TIN ON TIN PLATE AREA, ALL OVER 1.27µm [.000050] MIN NICKEL.
- MATERIAL: PHOSPHOR BRONZE.

REVISION	DESCRIPTION	DATE	DWN	APVD	PART NO
3	PER DETAIL Z	26.92 [1.060]			7-745288-2
6	AS SHOWN	30.15 [1.187]			7-745288-0
6	PER DETAIL Z	32.56 [1.282]			6-745288-1
6	PER DETAIL Z	26.92 [1.060]			5-745288-8
6	AS SHOWN	19.30 [.760]			5-745288-5
5	AS SHOWN	30.15 [1.187]			4-745288-4
5	AS SHOWN	21.16 [.833]			2-745288-0
4	AS SHOWN	21.16 [.833]			1-745288-8
5	PER DETAIL Z	32.56 [1.282]			1-745288-2
4	PER DETAIL Z	32.56 [1.282]			1-745288-0
5	PER DETAIL Z	26.92 [1.060]			745288-8
4	PER DETAIL Z	26.92 [1.060]			745288-6
5	AS SHOWN	19.30 [.760]			745288-4
4	AS SHOWN	19.30 [.760]			745288-2

THIS DRAWING IS A CONTROLLED DOCUMENT. DIMENSIONING AND TOLERANCING PER ASME Y14.5M-2009		DWN R.SHIREY 29 JAN 91	TE Connectivity	
DIMENSIONS: mm [INCHES]		CHK J.MCCLINTON 06 FEB 91	SOCKET CONTACT, SIZE 20 DF, AMPLIMITE	
TOLERANCES UNLESS OTHERWISE SPECIFIED:		APVD -	NAME	
0 PLC ± -	1 PLC ± -	PRODUCT SPEC -	SIZE	CAGE CODE
2 PLC ± 0.13 [.005]	3 PLC ± -	APPLICATION SPEC -	A2	00779
4 PLC ± -	5 ANGLE ± -	WEIGHT -	DRAWING NO	RESTRICTED TO
7	3 4 5 6	CUSTOMER DRAWING	C=745288	-
SCALE 10:1		SHEET 1 OF 1		REV M