

PART NUMBER	REV	TERMINATOR	FEED TYPE	DESCRIPTION
1529277-1	A	BENCH & LEADMAKER	MECH POST FEED	HDI APPLICATOR
7-1529277-1	A	BENCH & LEADMAKER	MECH POST FEED	-1 AND SPARE PARTS
7-1529277-7	A	-	-	SPARE PARTS KIT

SET UP GAGE		LOC	DIST	REVISIONS			
458638-3		A	66	REV	DATE	BY	APPV
				A	RELEASED	27AUG2008	RK GB

CRIMP DATA INARCA TERMINAL INARCA CRIMP SPECS

CRIMP	SIZE	TYPE	RANGE
WIRE	2.44 [.096 IN]	F	0.75-2.00mm ²
INSUL	4.32 [.170 IN]	F	2.20-3.70 [.087-.146 IN]

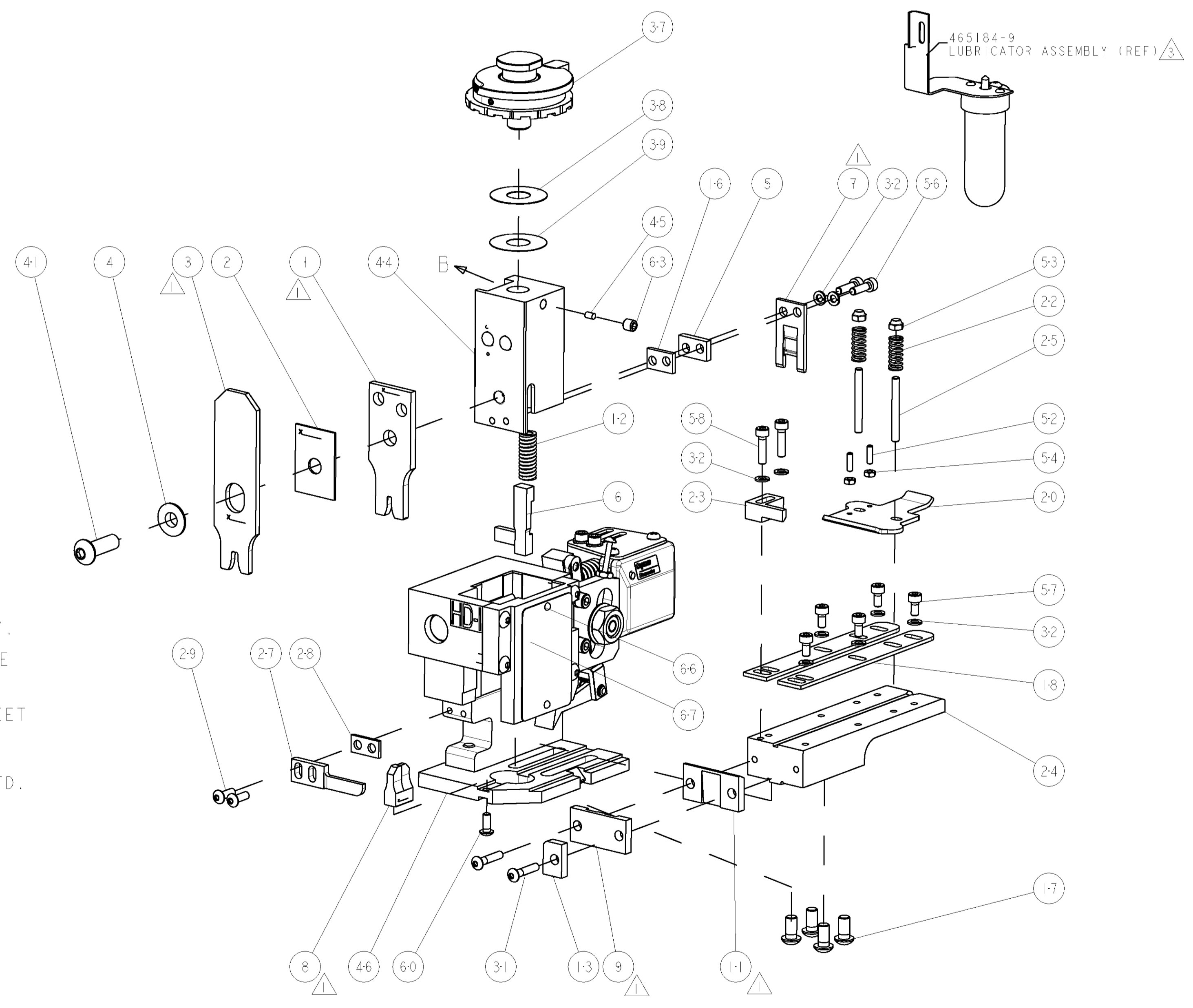
WIRE STRIP LENGTH 4.80-5.60 [.189-.220 IN] APPL INSTRUCTIONS 408-8323 & 408-8490

TERMINAL INARCA DATA SHT. APPL SPEC N. SA 10267 FEED 21.34 [.840 IN]

TERMINALS APPLIED

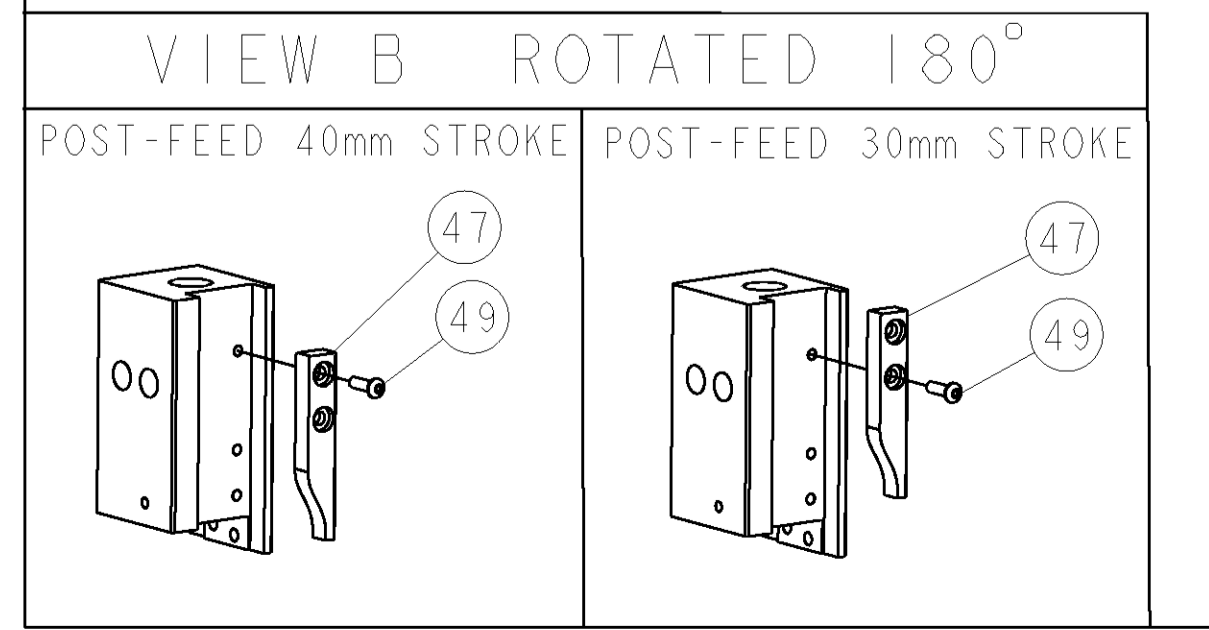
TE TERM PN	MANUF TERM PN		
1949071-1	0010267001	-	-
1949071-2	0010267201	-	-
1949071-3	0110267001	-	-
1949071-4	0110267201	-	-

WIRE SIZE	CRIMP HEIGHT	REF SETTING
1.00mm ² +1.00mm ²	1.75 ±0.05 [.069 ±.002 IN]	A7
0.50mm ² +1.50mm ²	1.75 ±0.05 [.069 ±.002 IN]	A7
1.50mm ²	1.60 ±0.05 [.063 ±.002 IN]	B6
1.00mm ²	1.45 ±0.05 [.057 ±.002 IN]	C9
0.75mm ²	1.30 ±0.05 [.051 ±.002 IN]	E5



- 1. RECOMMENDED SPARE PARTS
- 2. GREASE RAM, CAM, CAM FOLLOWER AND FEED ROD LIGHTLY.
- 3. CERTAIN TERMINALS REQUIRE LUBRICATION. REFER TO THE APPLICATOR INSTRUCTION SHEET FOR MORE INFORMATION.
- 4. LUBRICATE DAILY PER THE APPLICATOR INSTRUCTION SHEET SUPPLIED WITH THE APPLICATOR.
- 5. WIRE CRIMP DATA SUPPLIED BY TERMINAL MANUFACTURER, ALL OTHER DATA CALCULATED BY TYCO ELECTRONICS UK LTD.

*** WARNING**
 ON INSTALLATION, SET WIRE DISC TO LARGEST WIRE SIZE SETTING. USE OF SETTINGS BELOW MIN. REQUIRED CRIMP HEIGHT SETTING WILL CAUSE DAMAGE TO CRIMP TOOLING.



-	1	1	1338705-4	DOCUMENTATION PACKAGE	71	
-	1	1	461264-5	PLATE, IDENTIFICATION	67	
-	2	2	21017-2	SCREW, DRIVE	66	
-	1	1	3-18031-0	SCR, SET, CUP POINT M6 X 6.0	63	
-	1	1	18024-7	SCR, BTN SKT HD CAP (M4 X 10.0)	60	
-	2	2	1-18023-3	SCR, SKT HD CAP M4 X 16.0	58	
-	5	5	1-18023-0	SCR, SKT HD CAP M4 X 8.0	57	
-	2	2	9-18023-6	SCR, SKT HD CAP M4 X 14.0	56	
-	2	2	18029-1	NUT, HEX, REG M3	54	
-	2	2	986965-1	NUT, LOCK, HEX, TORQUE (M4)	53	
-	2	2	2-18032-2	SCR, SET, FLT POINT M3 X 10.0	52	
-	1	1	18024-3	SCR, BTN SKT HD CAP (M3 X 10.0)	49	
-	1	1	1338676-1	CAM, UNIVERSAL POST-FEED	47	
-	1	1	1338662-1	SUB ASSY, APPLICATOR FRAME	46	
-	1	1	690191-1	PLUG, NYLON	45	
-	1	1	1320998-1	RAM	44	
-	1	1	2-18024-6	SCR, BTN SKT HD CAP (M8 X 25.0)	41	
-	1	1	690125-1	SHIM SUB-ASSY	39	
-	1	1	1-469367-0	SHIM	38	
-	1	1	879103-3	FINE ADJUST HEAD ASSEMBLY	37	
-	5	5	18025-2	WASHER, SPRG LOCK, REG M4	33	
-	4	4	18025-2	WASHER, SPRG LOCK, REG M4	32	
-	2	2	1-18024-0	SCR, BTN SKT HD CAP (M4 X 20.0)	31	
-	2	2	18024-8	SCR, BTN SKT HD CAP (M4 X 12.0)	29	
-	1	1	3-690451-2	SPACER, STRIPPER	28	
-	1	1	240639-1	STRIPPER (MACHINING)	27	
-	2	2	1320906-1	STUD, THREADED	25	
-	1	1	1320995-3	PLATE, STRIP GUIDE	24	
-	1	1	240825-1	PLATE, STRIP HOLD DOWN	23	
-	2	2	4-22281-1	SPRING, DRAG	22	
-	1	1	1338665-1	DRAG	20	
-	2	2	1338663-4	GUIDE, LOWER STRIP	18	
-	4	4	1-18024-8	SCR, BTN SKT HD CAP (M6 X 12.0)	17	
-	1	1	1338708-1	SPACER, SLUG BLADE	16	
-	1	1	1-690481-9	SPACER, HOLD DOWN	13	
-	1	1	23846-1	SPRING, DIE	12	
-	1	1	240833-3	PLATE, REAR SHEAR	11	
-	-	-	-	-	10	
-	1	1	2-690482-7	PLATE, FRONT SHEAR	9	
-	1	2	1633387-3	ANVIL, COMBINATION	8	
-	1	1	690474-4	BLADE, SLUG	7	
-	1	1	1-455892-1	HOLD DOWN, TERMINAL	6	
-	1	1	4-240641-1	SPACER	5	
-	1	1	238009-1	BLOCK, FL CRIMPER SPACER	4	
-	1	2	3-1213077-3	CRIMPER, INSULATION PREMIUM	3	
-	1	1	455888-9	SPACER, CRIMPER	2	
-	1	2	456407-4	CRIMPER, WIRE PREMIUM	1	
-	77	71	-1	PART NO	DESCRIPTION	ITEM NO

DIMENSIONS: INCHES TOLERANCES UNLESS OTHERWISE SPECIFIED: 9 PLC ±.1 1 PLC ±0.1 5 PLC ±0.01 4 PLC ±0.001 ANGLES ±.0001		DWN: J. LOETHOUSE 06AUG2008 CDR: G. BAILEY 27AUG2008 APVD: M. CLIFFORD 06AUG2008 PRODUCT SPEC: - APPLICATION SPEC: - FINISH: - WEIGHT: - CUSTOMER DRAWING: -		Tyco Electronics Harrisburg, PA 17105-3608 NAME: FINE ADJUST END FEED HDI APPLICATOR SIZE: A1 CAGE CODE: 00779 DRAWING NO: C=1529277 SCALE: 3:5 SHEET: 1 OF 1 REV: A	
---	--	---	--	--	--