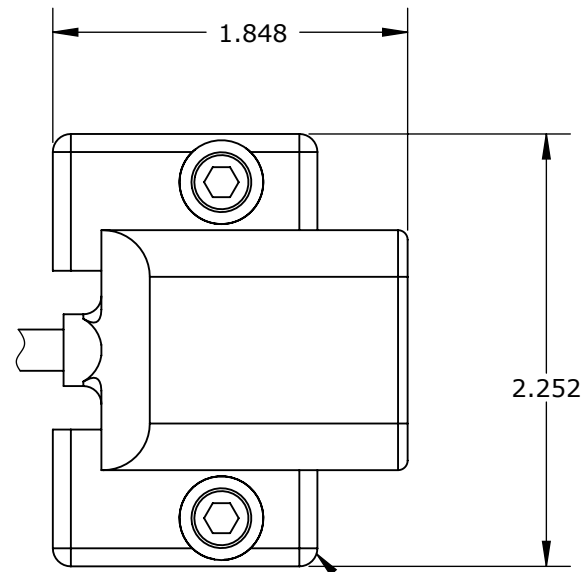


CUSTOMER PRINT

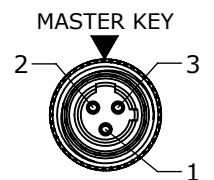
PART NUMBER: DB40S3SS3P1-XFAM

| 3 POLE ASSEMBLIES | |
|-------------------|--------------|
| PART NO. | "X" DIM |
| DB40S3SS3P1-1 | 1 FT ±1 IN. |
| DB40S3SS3P1-2 | 2 FT ±2 IN. |
| DB40S3SS3P1-3 | 3 FT ±2 IN. |
| DB40S3SS3P1-4 | 4 FT ±2 IN. |
| DB40S3SS3P1-6 | 6 FT ±2 IN. |
| DB40S3SS3P1-12 | 12 FT ±4 IN. |
| DB40S3SS3P1- | |

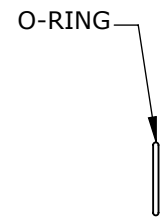
- NOTES:
1. FINISHED PRODUCT 3 FEET AND SHORTER TO BE BUNDLED
FINISHED PRODUCT OVER 3 FEET TO BE COILED
FOR PART NUMBER SEE TABLE
ALL DIMENSIONS ARE REFERENCE UNLESS OTHERWISE SPECIFIED
 2. OVERMOLD BOOT MATERIAL: POLYURETHANE WITH RED COLORANT, TYP. BOTH ENDS
 3. ELECTRICAL RATINGS: 3 AMPS, 300 VOLTS AC
3 AMPS, 24 VOLTS DC
 4. ELECTRICAL TEST:
a) 100% CONTINUITY TEST
b) AT CELL SET-UP AND SAMPLING:
HI-POT@1500V DC EACH CONTACT AGAINST ALL OTHERS AND GROUND



LENGTH IN FEET

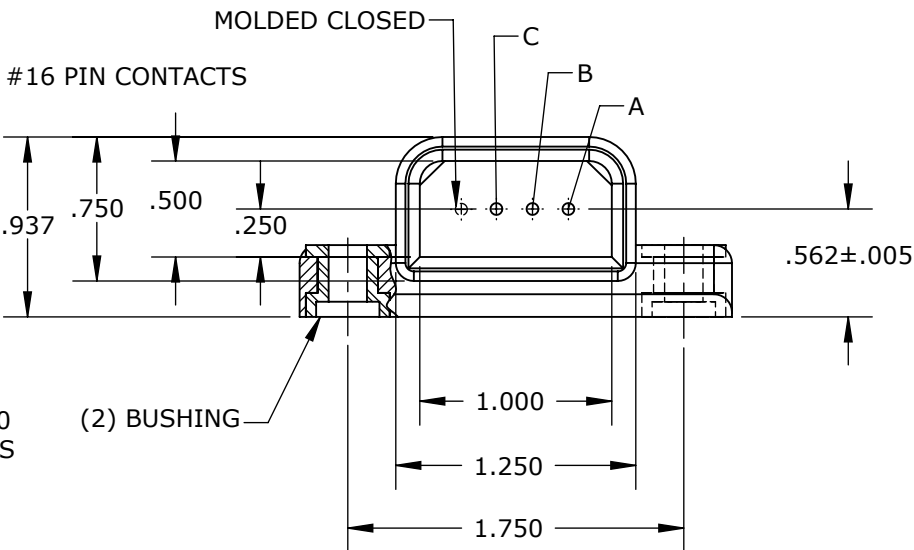
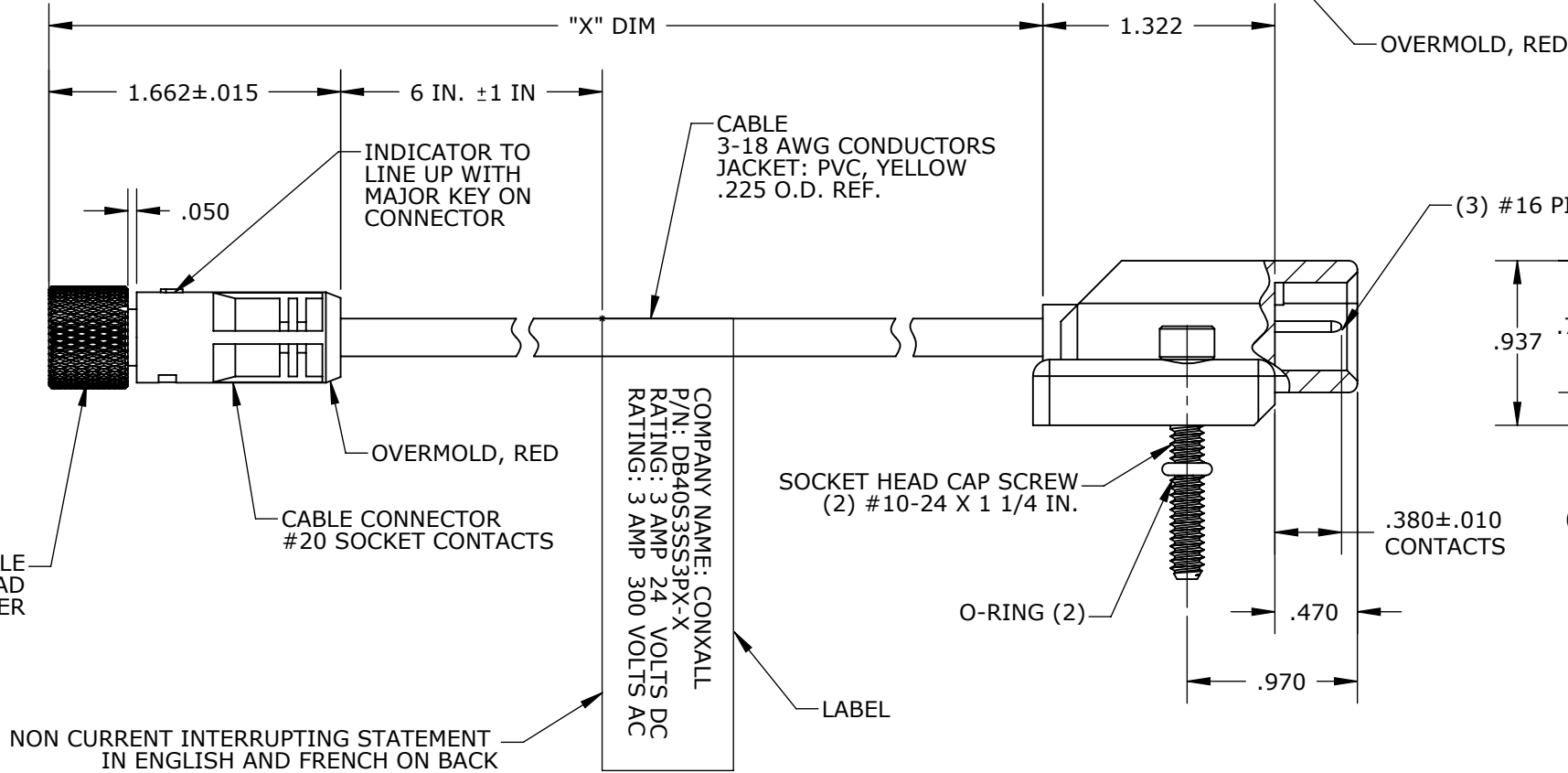


END "A" FACE VIEW



O-RING

COUPLING NUT, FEMALE
1/2-20 UNF-2B THREAD
WITH ANTI-VIBRATION WASHER



END "B" FACE VIEW
SHOWN WITHOUT CAP SCREWS AND O-RINGS

CUSTOMER APPROVAL

THIS DOCUMENT CONTAINS CONFIDENTIAL INFORMATION PROPRIETARY TO CONXALL CORPORATION. ANY REPRODUCTION, DISCLOSURE, OR USE OF THIS DOCUMENT /INFORMATION IS EXPRESSLY PROHIBITED UNLESS AUTHORIZED IN WRITING BY CONXALL CORPORATION.

APPROVED BY: _____

DATE: _____

| | | | |
|--|------------------|------------|---|
| C | PD | 08-10-11 | UPDATED MANUFACTURING DRAWING PER ECR 7934 |
| B | BZ | 11-17-09 | UPDATED MANUFACTURING DRAWING PER ECR 7305 |
| A | BZ | 03-06-09 | DRAWING CREATED PER DOR 09-1230JT |
| REV. | INIT. | DATE | DESCRIPTION |
| | BZ | 02-12-09 | ORIG. DRAWN BY: DATE: 02-12-09 |
| ALL INFORMATION ILLUSTRATED IS THE PROPERTY OF "CONXALL CORPORATION". UNAUTHORIZED DUPLICATION OR DISTRIBUTION OF THIS DOCUMENT IS PROHIBITED. | | | <p>601 E. WILDWOOD VILLA PARK, IL 60181</p> |
| ALL UNITS ARE IN FEET, INCHES, FRACTION OF INCHES AND DECIMALS. | | | |
| SCALE | | SIZE | SHEET |
| NTS | | B | 1 OF 1 |
| FILE: | DB40S3SS3P1-XFAM | DIRECTORY: | SLW |
| TITLE: CABLE ASSEMBLY (RED) SOCKET CABLE CONNECTOR WITH DIE BLOCK MICRO-MIZER | | | CUSTOMER: STANDARD PRODUCT |
| PART NUMBER: DB40S3SS3P1-XFAM | | | REV c |

NOTE:
POSITIONS MARKED "----" ARE MOLDED CLOSED

| COLOR CODE END "A" | | | WIRE COLOR CODE, END "B" | | | |
|--------------------|-------------|-------------|--------------------------|-------------|-------------|--------|
| POS. 1 | POS. 2 | POS. 3 | POS. A | POS. B | POS. C | POS. D |
| GRN | RED/ WHT | RED/ BLK | GRN | RED/ WHT | RED/ BLK | --- |