

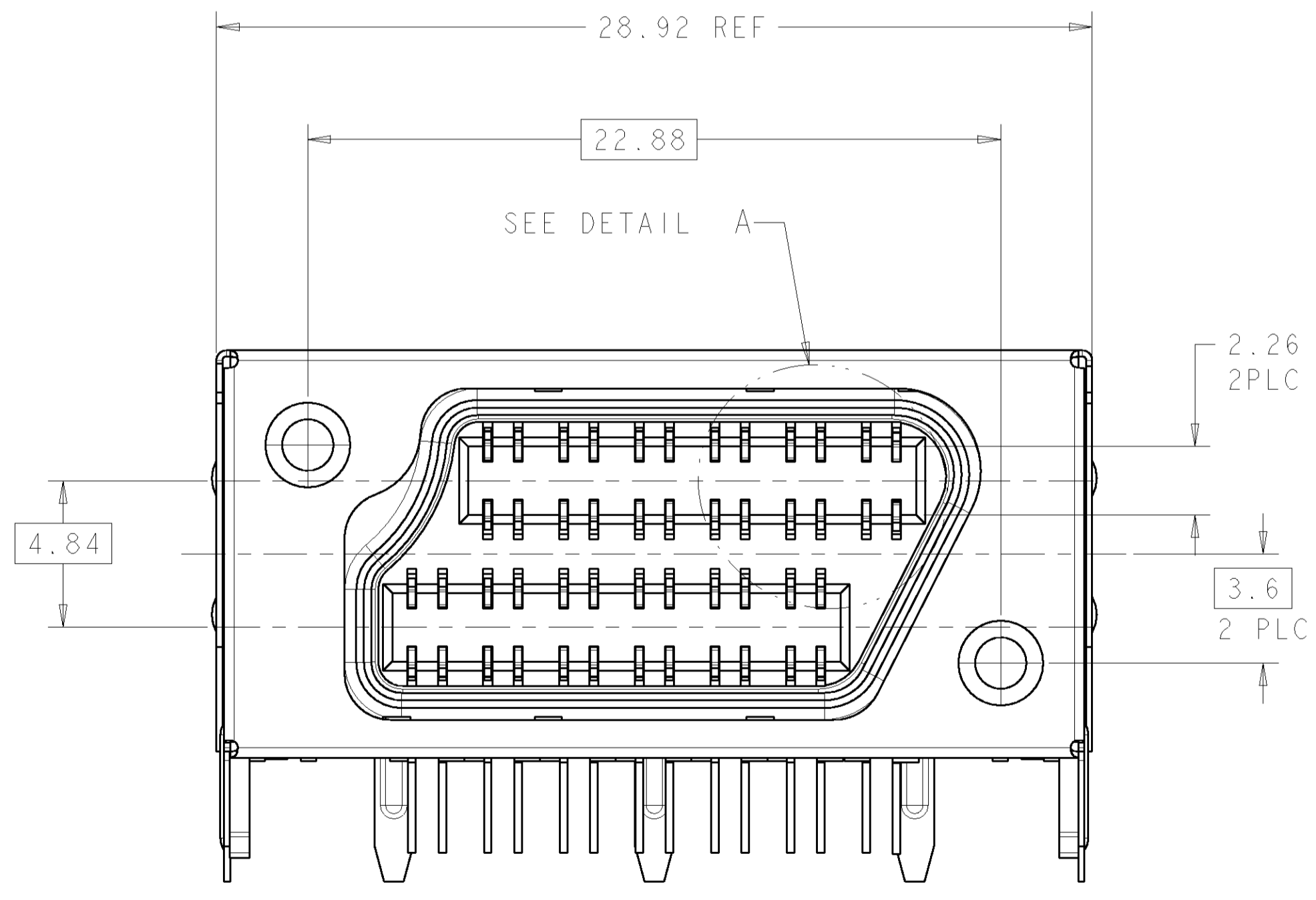
1 MATERIAL:
 HOUSING - BLACK THERMOPLASTIC, PBT FLAMMABILITY RATING UL 94V-0
 SHIELD -0.2 MM THICK BRASS - PLATED 1.98µm MIN THK. TIN OVER
 1.27µm MIN THK NICKEL. (EXCEPT 1761482-4 DOES NOT HAVE TIN)
 FRONT DRAWN SHELL - CARBON STEEL - PLATED WITH 5.08µm MIN NICKEL
 BOARD LOCKS - BRASS PLATED WITH 1.27µm MIN TIN OVER 1.27µm MIN NICKEL
 CONTACTS - 0.254 MM THK. PHOSPHOR BRONZE - ENTIRE TERMINAL PLATED
 WITH 2.54µm MIN NICKEL. MATING AREA PLATED WITH GOLD FLASH OVER
 0.76µm MIN Pd-Ni .SOLDER TAILS WITH 1.98µm MIN TIN
 INSERTS, THREADED - MILD STEEL
 SCREW LOCKS - STAINLESS STEEL.

3 THE SCREW LOCKS ARE FOR USE WITH JACKSCREWS TO PROVIDE CABLE RETENTION.
 4 RECOMMENDED TORQUE FOR SCREW LOCK IS 4 IN-LB. FOR PANEL MOUNTED VERSION (1761482-1 AND 1761482-4).
 RECOMMENDED TORQUE FOR SCREW LOCK IS 2 IN-LB. FOR PANEL GROUND VERSION (1761482-2).

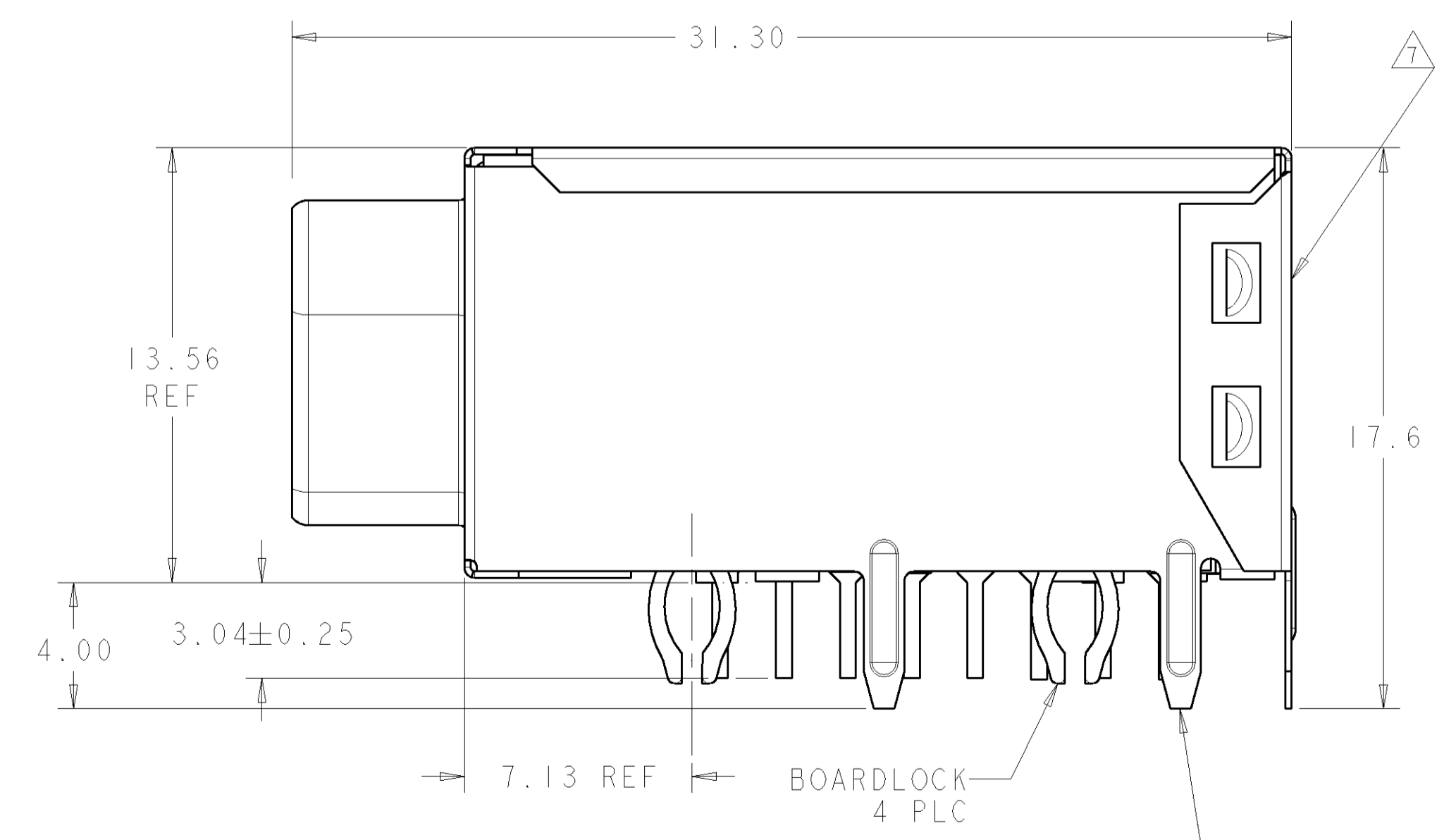
5 SCREW LOCK DESIGNATION:
 SCREW LOCKS MUST BE ORDERED SEPARATELY FROM TABLE BELOW.

> 1mm - < 2mm	1339381-4	100
	1339381-2	960
0mm - < 1mm	1339381-3	100
	1339381-1	960
PANEL THICKNESS	SCREW LOCK P/N	PKG QTY

6 IF DIM "A" NEEDS TO BE INCREASED FOR STRUCTURAL PURPOSES, A CUT-OUT WILL BE REQUIRED ON THE PCB TO CLEAR BOTTOM PANEL GROUNDS.
 7 DATE CODE AND PART NUMBER LABEL IN APPROXIMATE AREA SHOWN.
 9 DATUM AND BASIC DIMENSIONS ESTABLISHED BY CUSTOMER



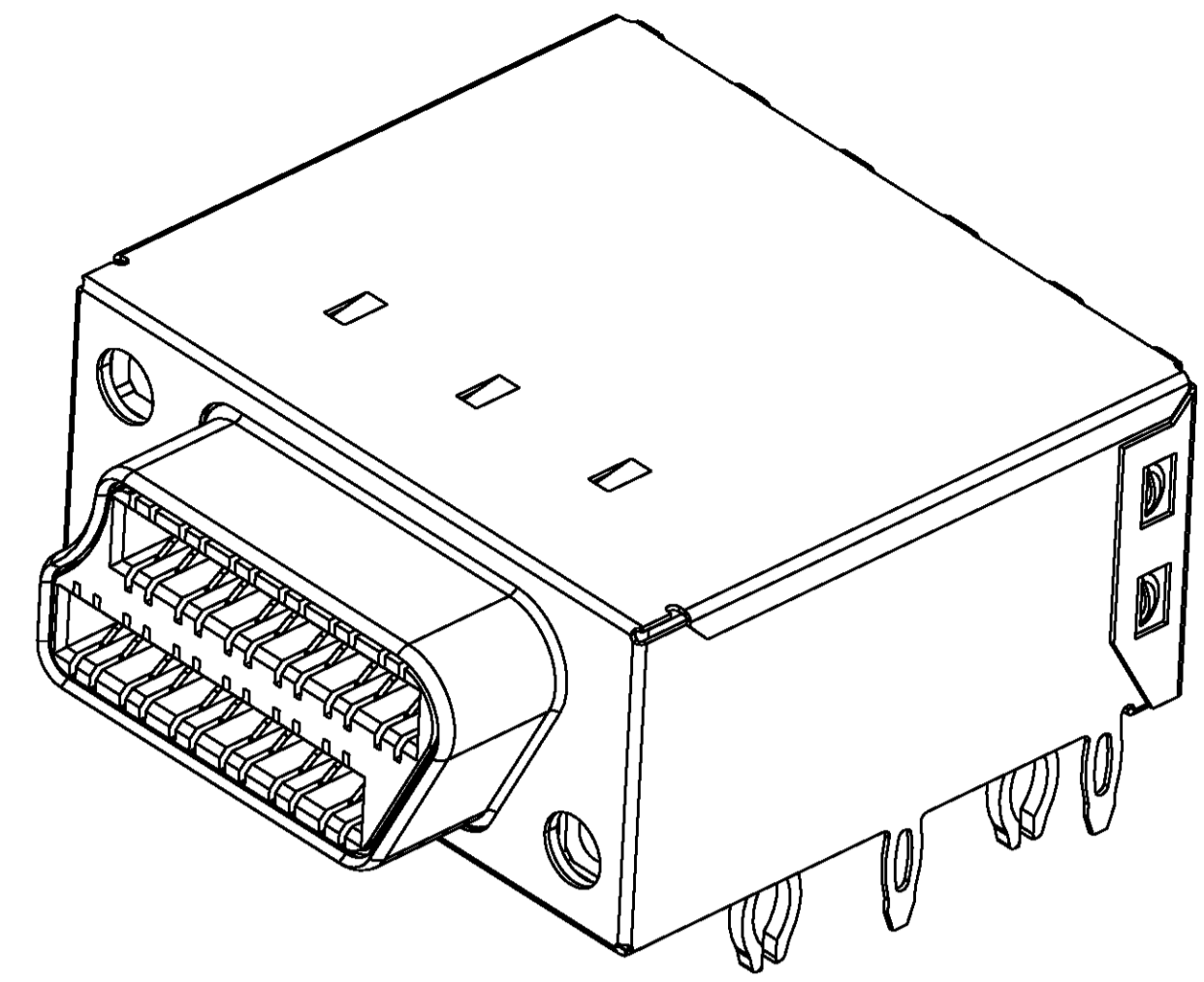
1761482-1 SHOWN



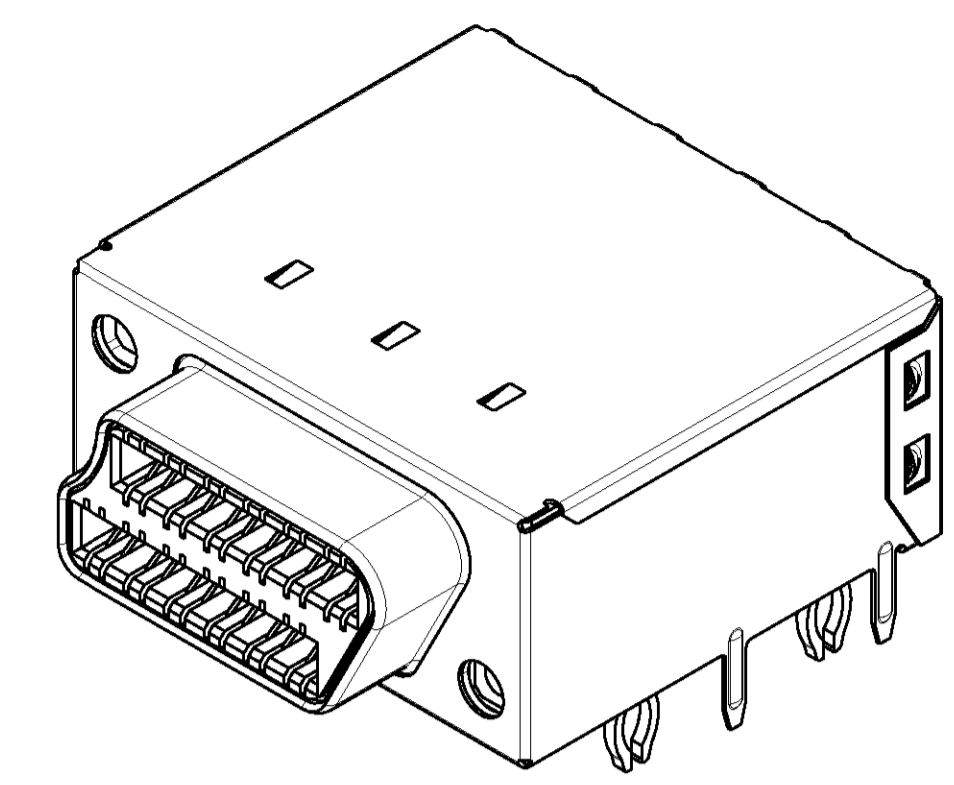
PRINTED CIRCUIT BOARD-GROUND TABS

-	NO	1761482-4
2.8 6	YES	1761482-2
-	NO	1761482-1
DIM "A"	PANEL GROUND TABS	PART NUMBER

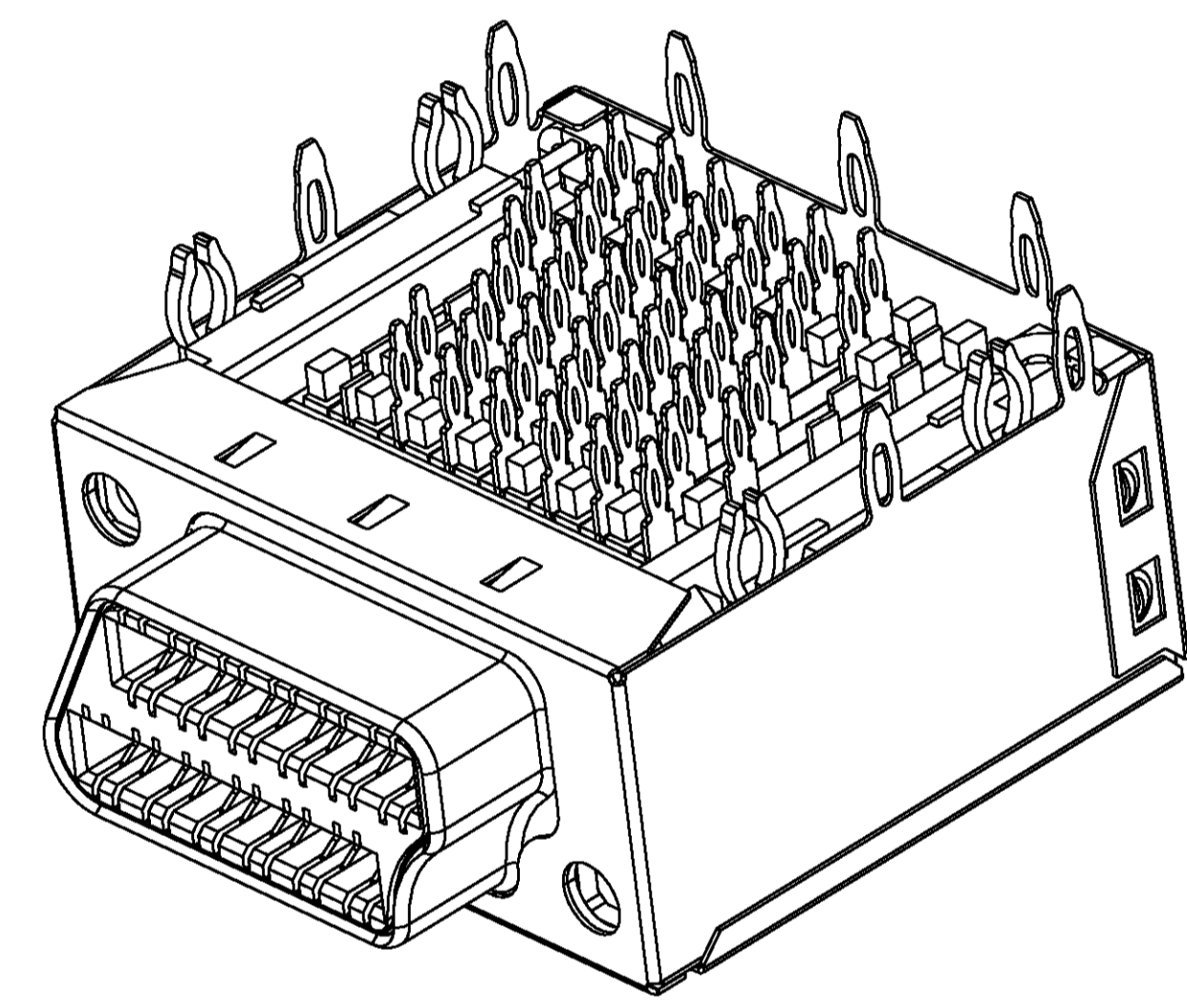
DIMENSIONS:		TOLERANCES UNLESS OTHERWISE SPECIFIED:		DWG: B. GRZYBOWSKI / 14DEC2004		CHK: D. A. FAROLE / 14DEC2004		APVD: D. A. FAROLE / 14DEC2004		NAME: ASSEMBLY, RECEPTACLE, 48 POSITION, MRJ21	
mm	0 PLC ±0.13	1 PLC ±0.10	2 PLC ±0.10	3 PLC ±N/A	4 PLC ±N/A	5 PLC ±N/A	6 PLC ±N/A	7 PLC ±N/A	8 PLC ±N/A	9 PLC ±N/A	RESTRICTED TO
MATERIAL		FINISH		WEIGHT		SIZE		CAGE CODE		DRAWING NO	
						A1		00779		C=1761482	
CUSTOMER DRAWING				SCALE		SHEET		OF		REV	
				3:1		1		4		E1	



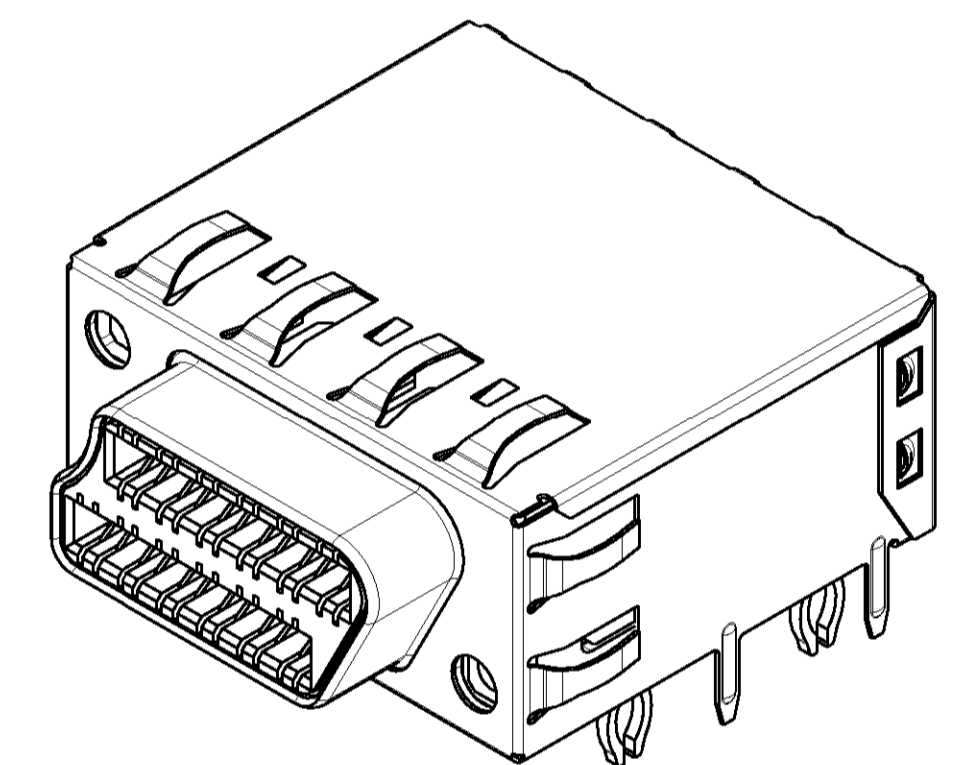
1761482-4 SHOWN
PRESS FIT
SCALE 4:1



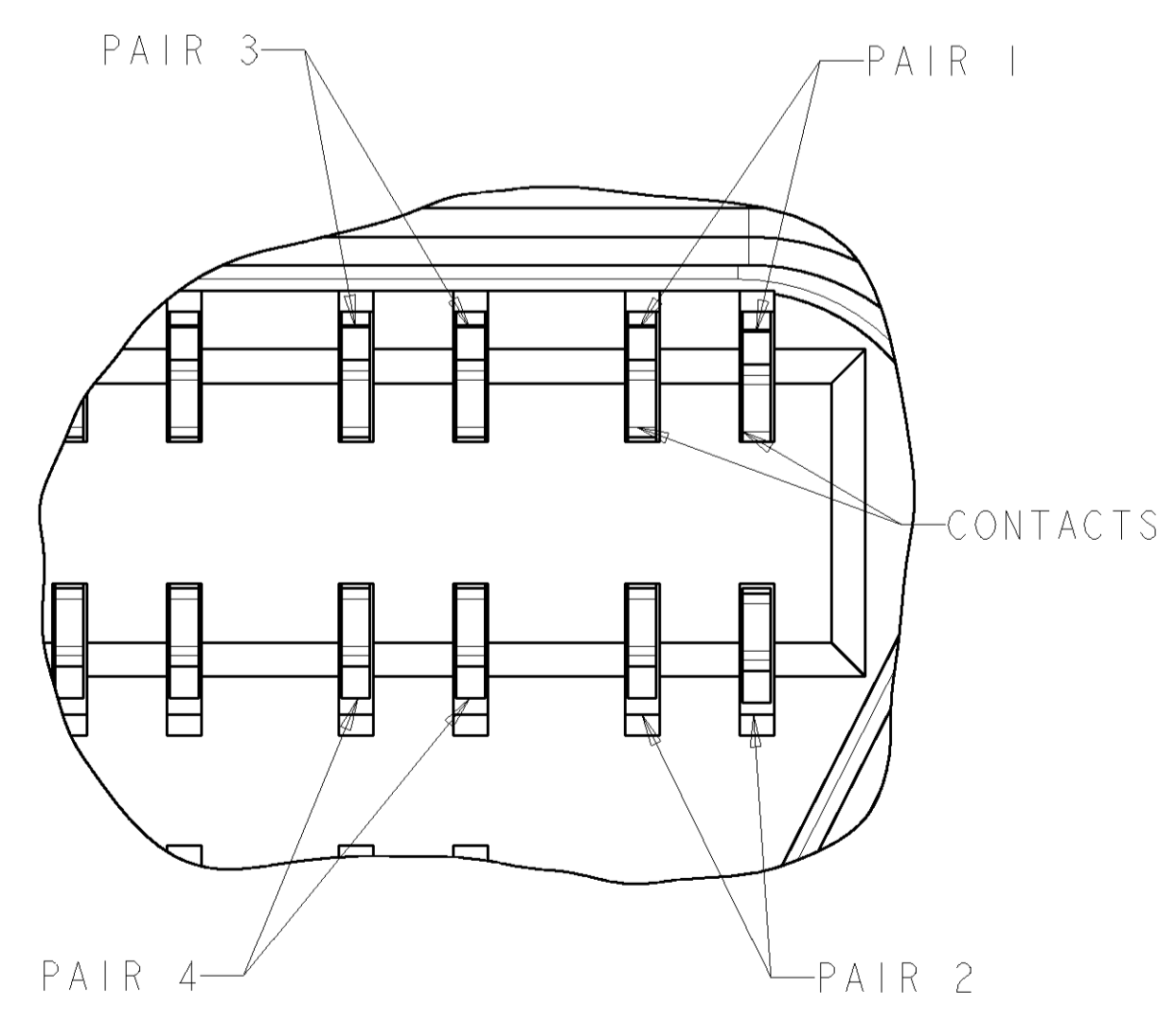
1761482-1 SHOWN
SCALE 3:1



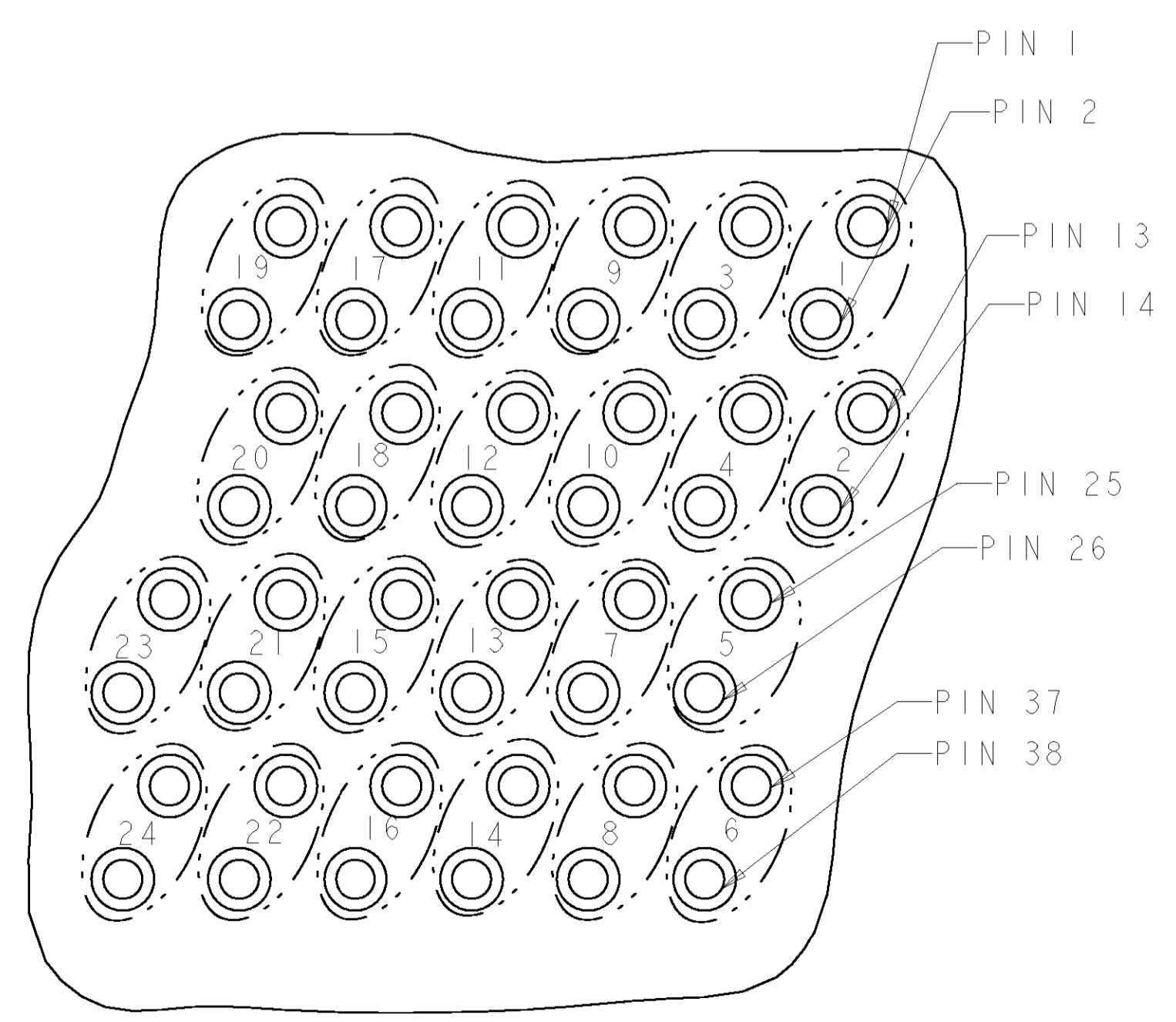
1761482-4
PRESS FIT
BOTTOM VIEW
SCALE 4:1



1761482-2 SHOWN
SCALE 3:1



DETAIL A
SCALE 16:1

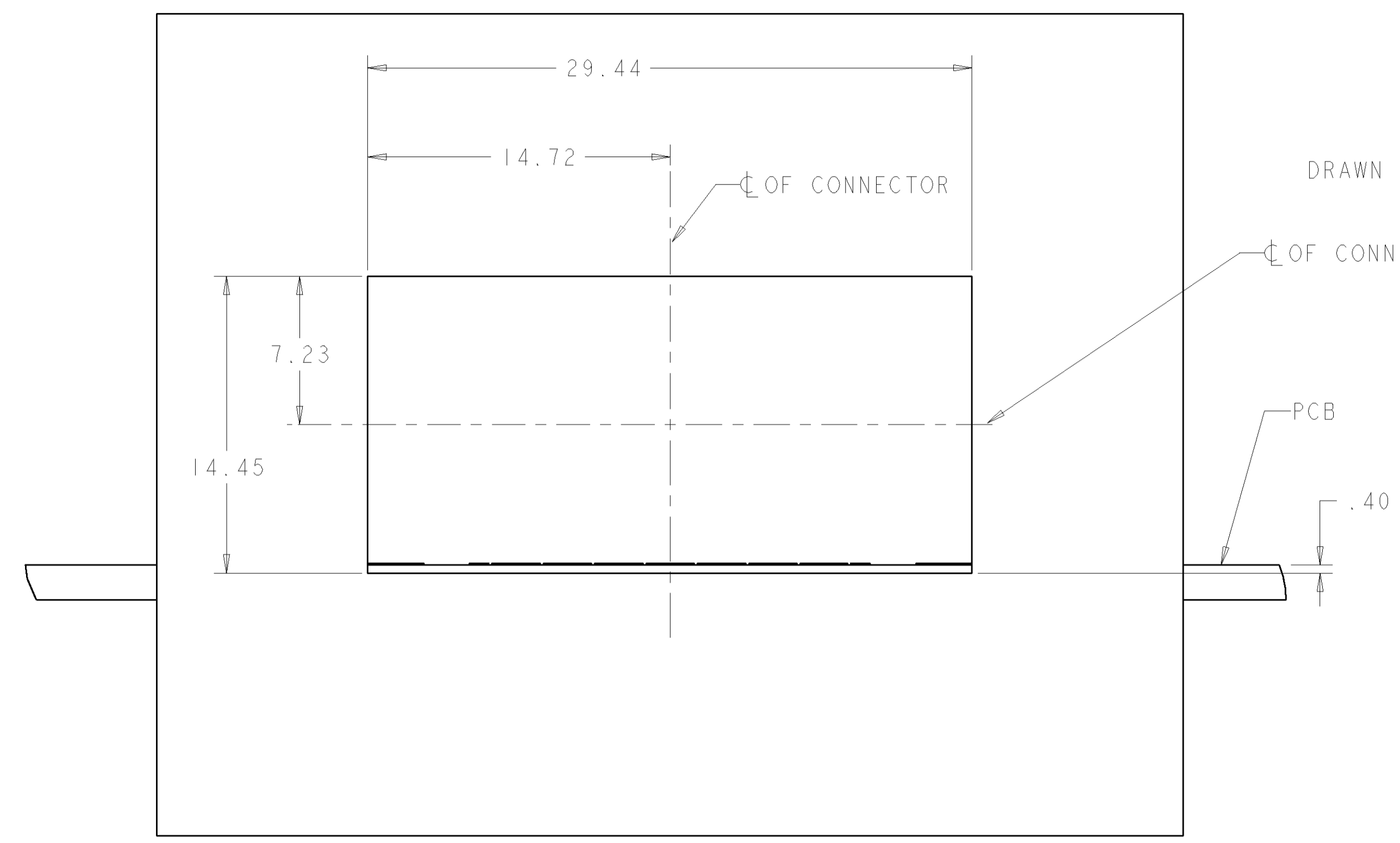


PROPOSED PAIR GROUPING

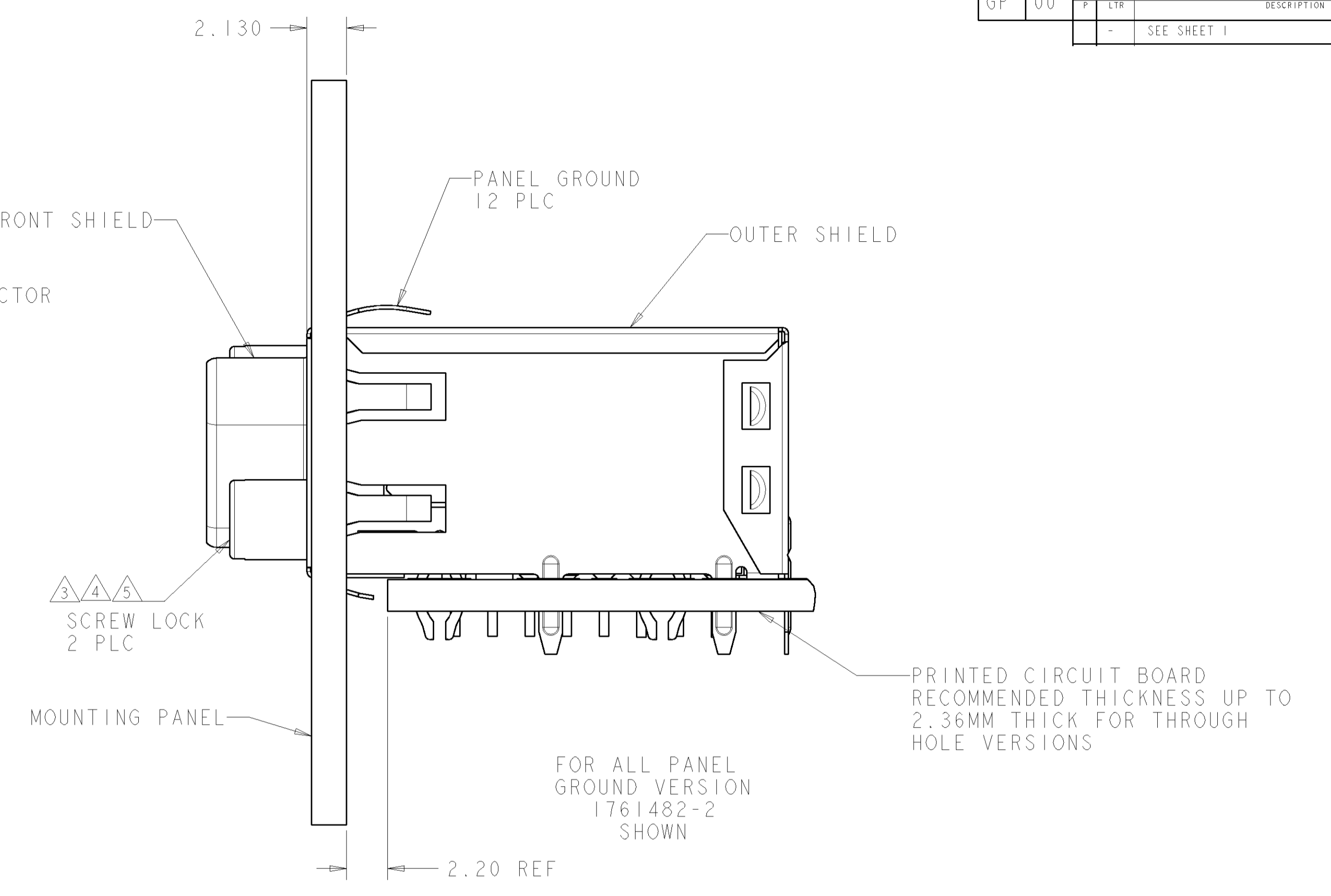
MODULAR PLUG AND RJ-21 PIN-OUT FOR USE IN 10/100/1000 BASE-T APPLICATIONS

GIG ETHERNET PORT	PLUG POSN.	COLOR	10/100 ETHERNET PORT	PLUG POSN.	COLOR	RJ-21 PIN	MRJ 21 PIN	MRJ 21 PAIR NUM	
1	5	WHT/BLU	1	1	WHT/BLU	26	1	1	
	4	BLU/WHT		2	BLU/WHT	1	2		
	3	WHT/ORG		3	WHT/ORN	27	13	2	
	6	ORG/WHT		6	ORN/WHT	2	14		
	2	1	WHT/GRN	2	1	WHT/GRN	28	3	3
		2	GRN/WHT		2	GRN/WHT	3	4	4
		7	WHT/BRN		3	WHT/BRN	29	15	
		8	BRN/WHT		6	BRN/WHT	4	16	
2	5	WHT/GRY	3	1	WHT/GRY	30	25	5	
	4	GRY/WHT		2	GRY/WHT	5	26		
	3	RED/BLU		3	RED/BLU	31	37	6	
	6	BLU/RED	6	BLU/RED	6	38			
	4	1	RED/ORG	4	1	RED/ORN	32		27
		2	ORG/RED		2	ORN/RED	7	28	8
7		RED/GRN	3		RED/GRN	33	39		
8		GRN/RED	6		GRN/RED	8	40		
3	5	RED/BRN	5	1	RED/BRN	34	5	9	
	4	BRN/RED		2	BRN/RED	9	6		
	3	RED/GRY		3	RED/GRAY	35	17	10	
	6	GRY/RED	6	GRY/RED	10	18			
	6	1	BLK/BLU	6	1	BLK/BLU	36		7
		2	BLU/BLK		2	BLU/BLK	11	8	
7		BLK/ORG	3		BLK/ORN	37	19	12	
8		ORG/BLK	6		ORN/BLK	12	20		
4	5	BLK/GRN	7	1	BLK/GRN	38	29	13	
	4	GRN/BLK		2	GRN/BLK	13	30		
	3	BLK/BRN		3	BLK/BRN	39	41	14	
	6	BRN/BLK	6	BRN/BLK	14	42			
	8	1	BLK/GRY	8	1	BLK/GRY	40		31
		2	GRY/BLK		2	GRY/BLK	15	32	
7		YEL/BLU	3		YEL/BLU	41	43	16	
8		BLU/YEL	6		BLU/YEL	16	44		
5	5	YEL/ORG	9	1	YEL/ORN	42	9	17	
	4	ORG/YEL		2	ORN/YEL	17	10		
	3	YEL/GRN		3	YEL/GRN	43	21	18	
	6	GRN/YEL	6	GRN/YEL	18	22			
	10	1	YEL/BRN	10	1	YEL/BRN	44		11
		2	BRN/YEL		2	BRN/YEL	19	12	
7		YEL/GRY	3		YEL/GRY	45	23	20	
8		GRY/YEL	6		GRY/YEL	20	24		
6	5	VIO/BLU	11	1	VIO/BLU	46	33	21	
	4	BLU/VIO		2	BLU/VIO	21	34		
	3	VIO/ORG		3	VIO/ORN	47	45	22	
	6	ORG/VIO	6	ORN/VIO	22	46			
	12	1	VIO/GRN	12	1	VIO/GRN	48		35
		2	GRN/VIO		2	GRN/VIO	23	36	
7		VIO/BRN	3		VIO/BRN	49	47	24	
8		BRN/VIO	6		BRN/VIO	24	48		

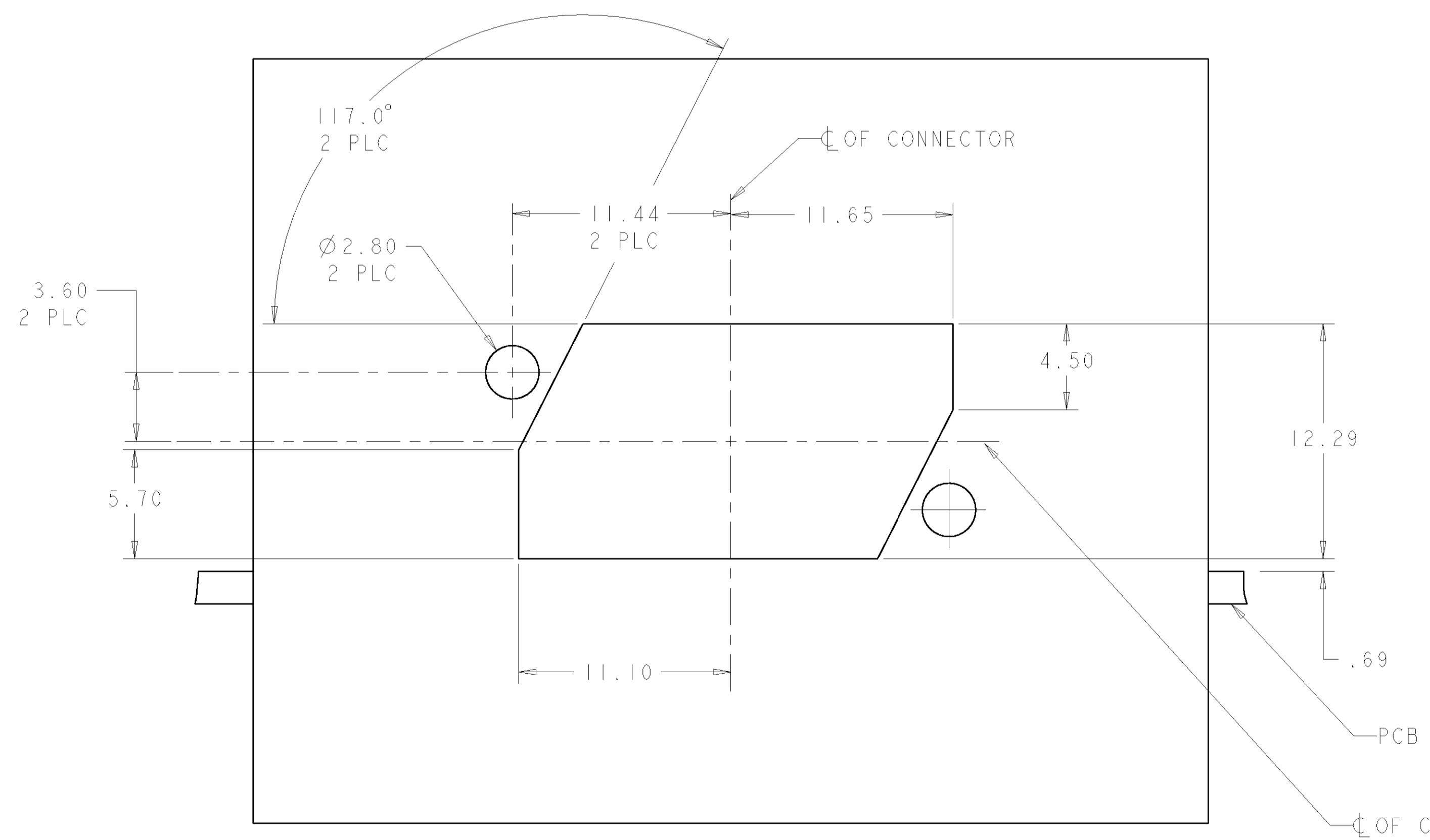
DIMENSIONS:		TOLERANCES UNLESS OTHERWISE SPECIFIED:		DRN: R. GRZYBOWSKI 4DEC2004		CHK: D. A. FAROLE 14DEC2004		APVD: D. A. FAROLE 14DEC2004		NAME: ASSEMBLY, RECEPTACLE, 48 POSITION, MRJ21	
mm	0 PLC ±.13	1 PLC ±0.10	3 PLC #N/A	4 PLC #N/A	ANGLES #N/A	FINISH	PRODUCT SPEC: 108-2064	APPLICATION SPEC:	SIZE: A	CAGE CODE: 00779	DRAWING NO: 1761482
MATERIAL:	FINISH:	WEIGHT:	CUSTOMER DRAWING:	SCALE: 3:1	SHEET: 2 OF 4	REV: E1					



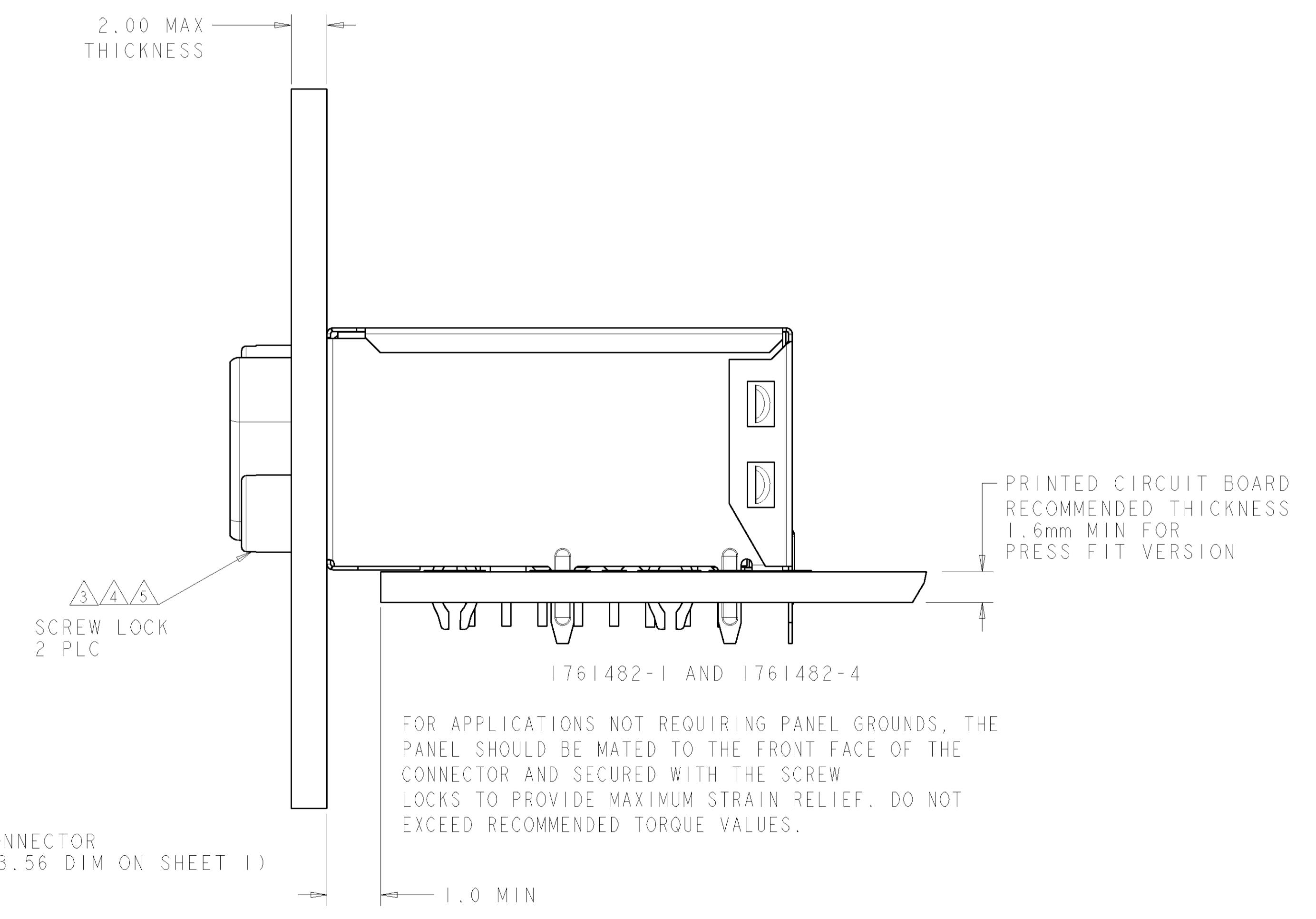
RECOMMENDED PANEL CUTOUT (WITH PANEL GROUNDS)
 SCALE 5:1



FOR ALL PANEL GROUND VERSION
 1761482-2 SHOWN



RECOMMENDED PANEL CUTOUT (NO PANEL GROUNDS)
 SCALE 5:1



FOR APPLICATIONS NOT REQUIRING PANEL GROUNDS, THE PANEL SHOULD BE MATED TO THE FRONT FACE OF THE CONNECTOR AND SECURED WITH THE SCREW LOCKS TO PROVIDE MAXIMUM STRAIN RELIEF. DO NOT EXCEED RECOMMENDED TORQUE VALUES.

DIMENSIONS:		TOLERANCES UNLESS OTHERWISE SPECIFIED:		DRN: B. GRZYBOWSKI 14DEC2004		CHK: D.A. FAROLE 14DEC2004		APVD: D.A. FAROLE 14DEC2004		NAME: ASSEMBLY, RECEPTACLE, 48 POSITION, MRJ21	
mm	0 PLC ±	1 PLC ±0.13	2 PLC ±0.10	3 PLC #N/A	4 PLC #N/A	ANGLES #N/A	FINISH	PRODUCT SPEC	108-2064	APPLICATION SPEC	RESTRICTED TO
MATERIAL								WEIGHT		SIZE: CAGE CODE: DRAWING NO: A1 00779 C=1761482	SCALE: 3:1 SHEET 4 OF 4 REV E1
CUSTOMER DRAWING											