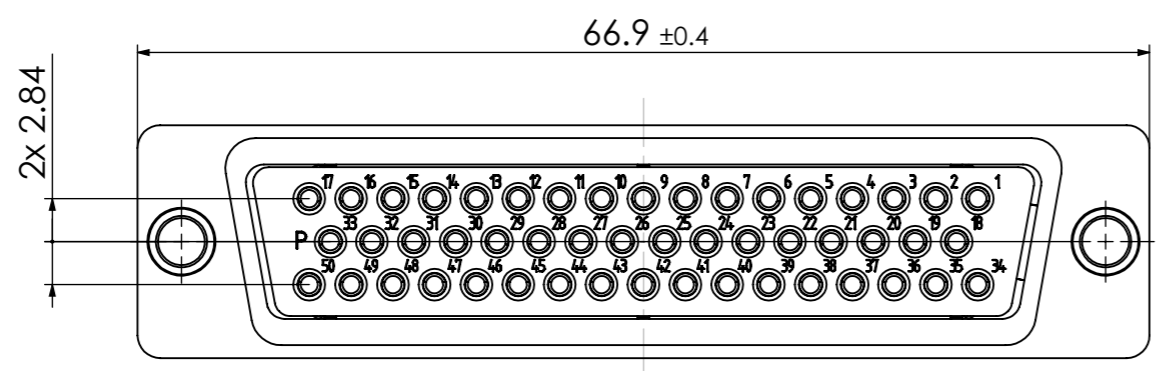
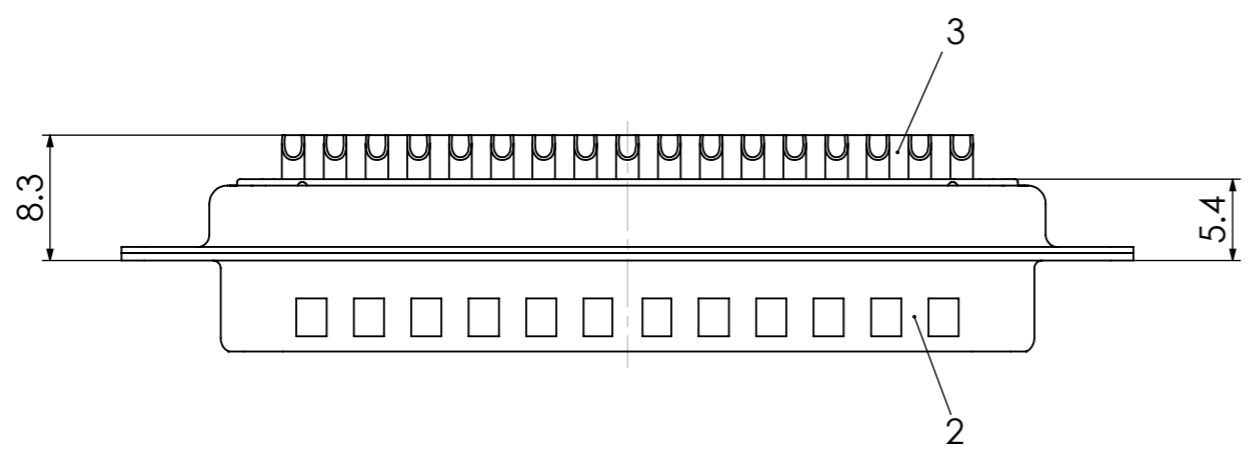
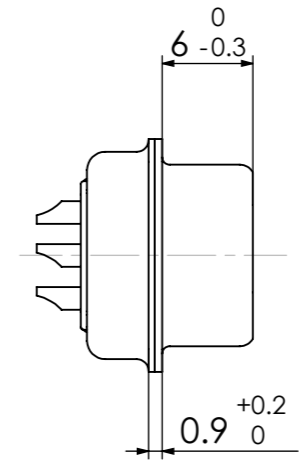
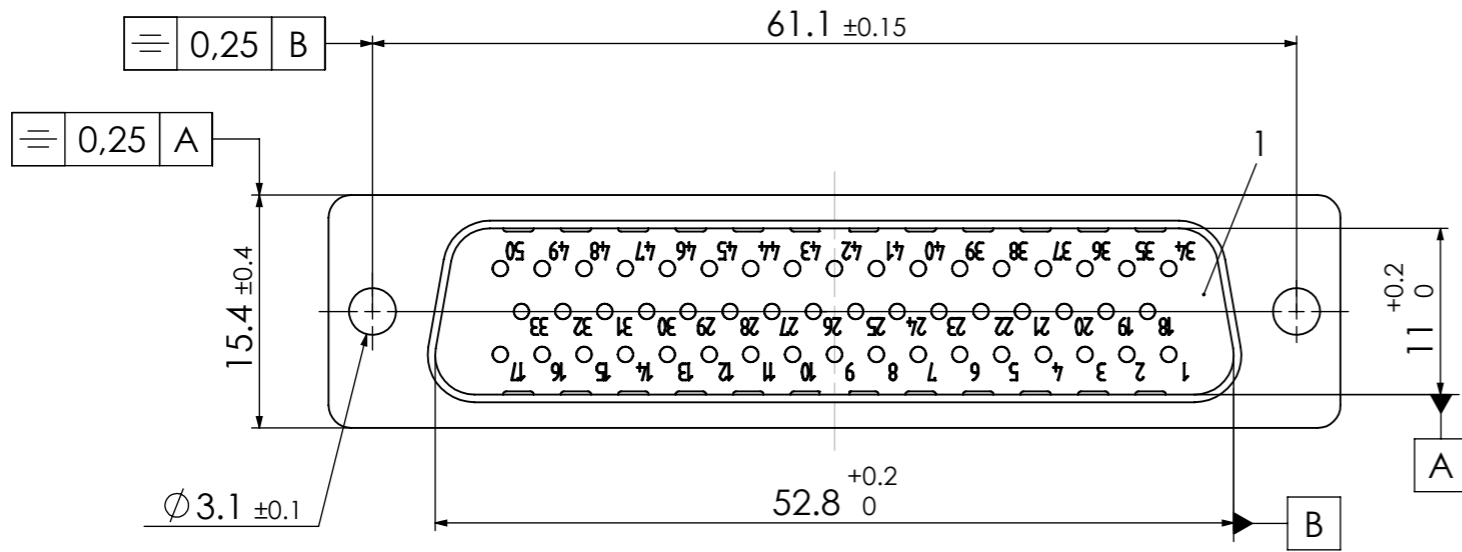


COMMENT: ALL RIGHTS ARE RESERVED BY US FOR THIS DRAWING. WITHOUT OUR PRIOR CONSENT, IT MAY NEITHER BE DUPLICATED NOR MADE AVAILABLE TO A THIRD PARTY. AND IT ALSO MAY NOT BE IMPROPERLY USED BY THE RECEIVER, OR A THIRD PARTY.



RoHS compliant

for performance classes 1, 2 or 3  
 contact cycle for G1/G2/G3 = 500/200/50)

No.	St.	Part	Type Description/Material	Surface plating/Colour/Class
3	50	Signal contact	P0 / Brass	G1/G2/G3 / AWG 20
2	1	Shell	Steel	tin plated
1	1	Insulator	PBT (-55°C - +125°C)	white

		Measurement without tolerance occ. to ISO 2768-m		SCALE	TITLE
				2:1	D-Sub Miniature Connector
		NAME / DATE			
		DRAWN schref 14-05-2003			
		CHECKED Floßmann 14-05-2003			
		a molex company		DWG.NO.	REV.
				F50P0Gy	1
1	REV.	DATE	CH.-NO.	ORIGINAL: DIN A3-DRAWING AS A FILE	REPLACEMENT FOR:
					PAGES 1